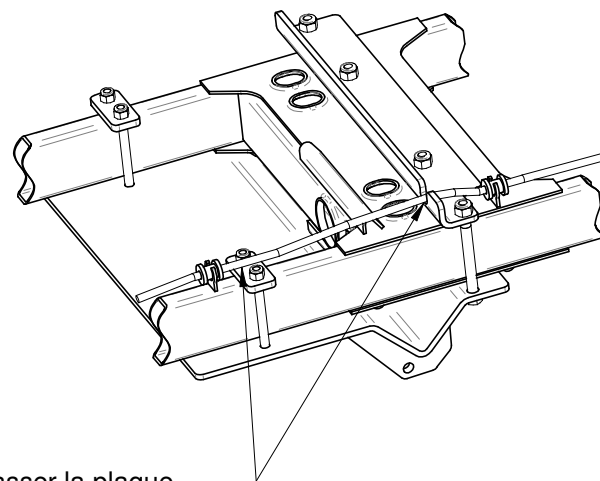
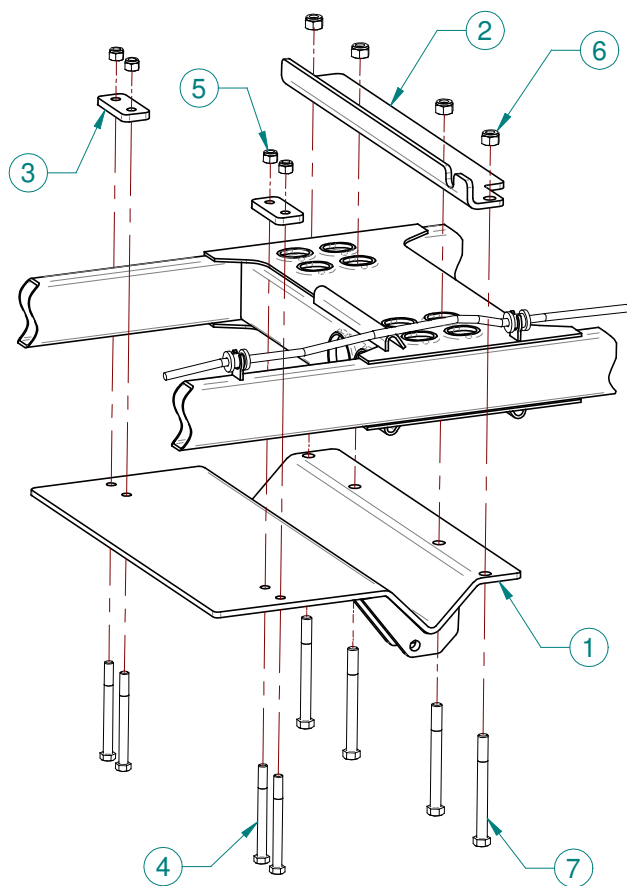




INSTALLATION

PLAQUE ADAPTEUR

1. Enlevez le garde de plastique existant.
2. Fixez la plaque adapteur (# 1) au châssis du VTT avec une (1) plaque pliée (# 2), deux (2) supports (# 3), quatre (4) boulons 3/8"NC x 4" LG. (# 4), quatre (4) écrous nylon 3/8" NC (# 5), quatre (4) boulons 7/16"NC x 4 1/2" LG. (# 6) et quatre (4) écrous nylon 7/16" NC (# 7).



Passer la plaque pliée et le support en dessous du câble.

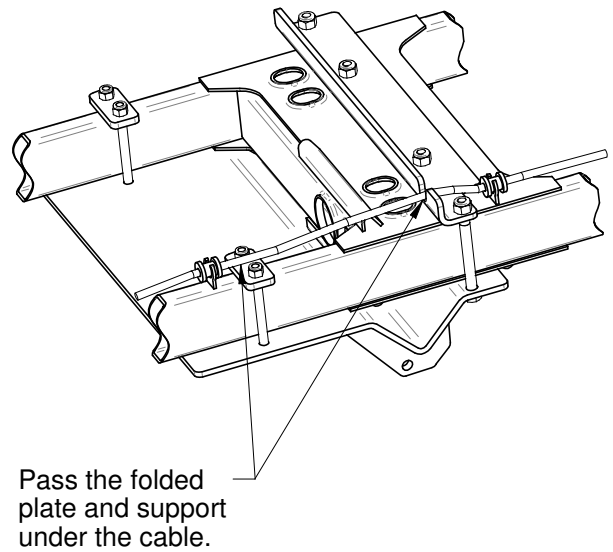
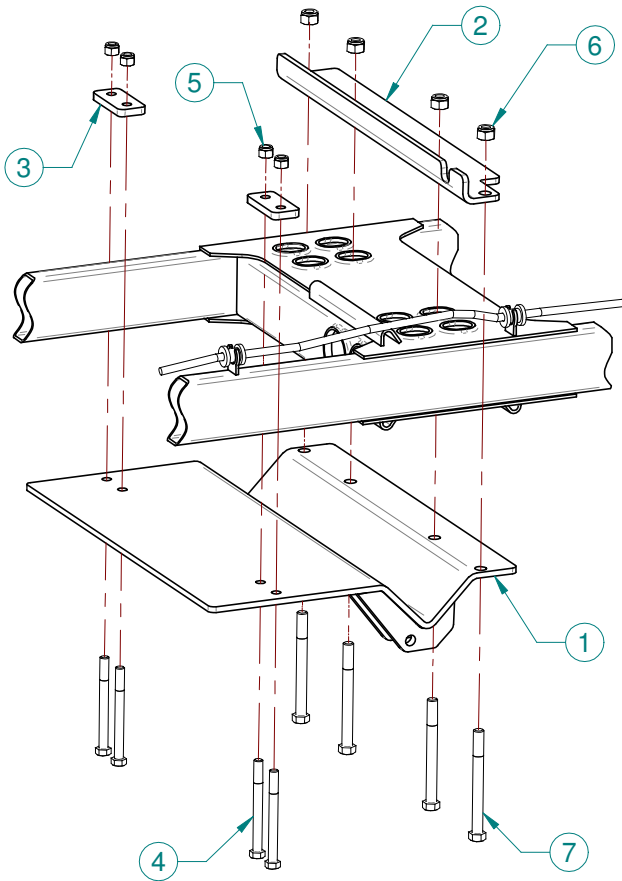
Liste de pièces

| Réf. | Description | # de pièce (OEM) | Qté. |
|------|-----------------------------|--------------------|------|
| 1 | Plaque adapteur | 00PS-071 | 1 |
| 2 | Plaque pliée | 04SA-002 | 1 |
| 3 | Support | 04SA-001 | 2 |
| 4 | Boulon 3/8" NC x 4" LG | HB-3/8-16NCx4 | 4 |
| 5 | Écrou nylon 3/8" NC | HLN-3/8-16NC | 4 |
| 6 | Boulon 7/16" NC x 4 1/2" LG | HB-7/16-14NCx4-1/2 | 4 |
| 7 | Écrou nylon 7/16" NC | HLN-7/16-14NC | 4 |



ADAPTER
INSTALLATION

1. Remove the existing plastic guard.
2. Fasten the adapter (# 1) onto the frame using a (1) folded plate (# 2), two (2) supports (# 3), four (4) bolts 3/8" NC x 4" (# 4), four (4) self-locking nuts 3/8" NC (# 5), four (4) bolts 7/16" NC x 4 1/2" (# 6) and four (4) self-locking nuts 7/16" NC (# 7).



Parts list

| Ref. | Description | Item # (OEM) | Qty. |
|------|---------------------------|--------------------|------|
| 1 | Adapter | 00PS-071 | 1 |
| 2 | Folded plate | 04SA-002 | 1 |
| 3 | Support | 04SA-001 | 2 |
| 4 | bolt 3/8" NC x 4" LG | HB-3/8-16NCx4 | 4 |
| 5 | Self-locking nut 3/8" NC | HLN-3/8-16NC | 4 |
| 6 | bolt 7/16" NC x 4 1/2" LG | HB-7/16-14NCx4-1/2 | 4 |
| 7 | Self-locking nut 7/16" NC | HLN-7/16-14NC | 4 |