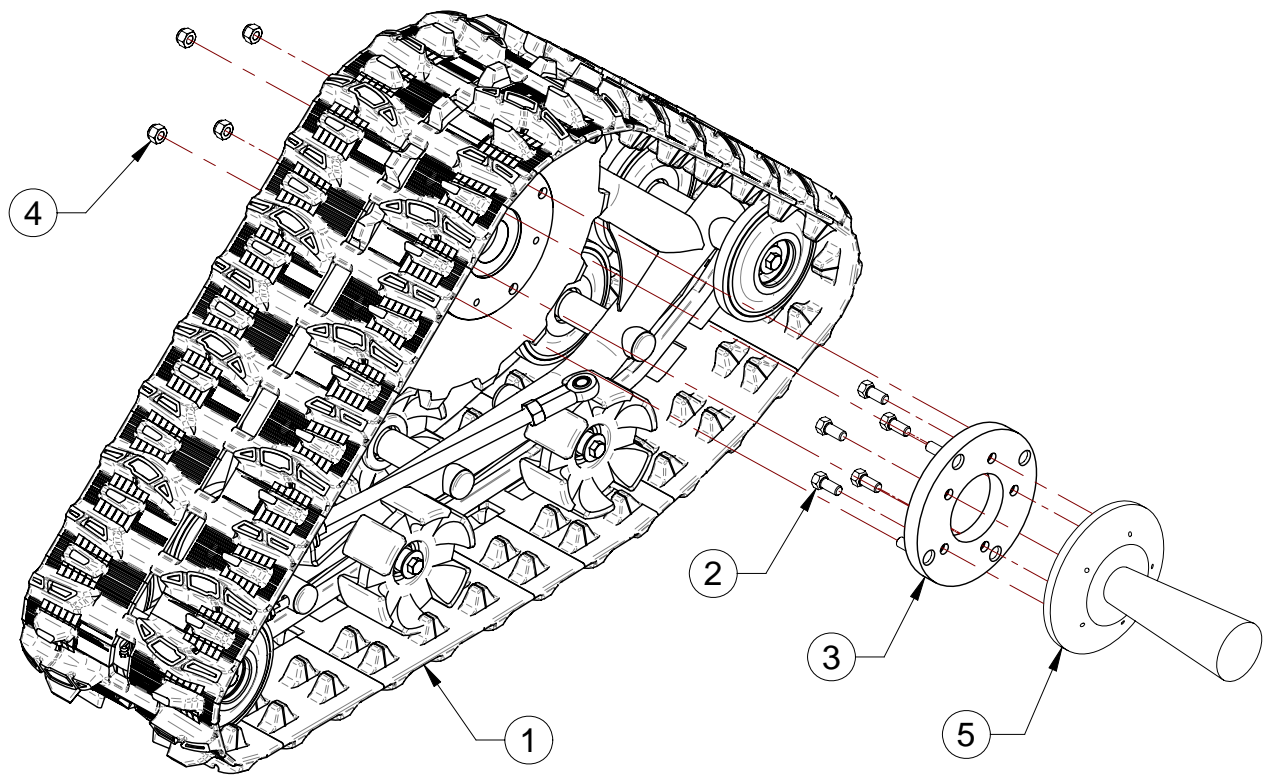


1. Disassemble the hub adaptor (# 3) of cat track system (# 1).
2. Fix hub adaptor (# 3) on ATV's hub (# 5).
3. Fix cat track system (# 1) on hub adaptor (# 3).



Rear Cat Track left

Parts

Ref.	Description	Item # (OEM)	Qty.
1	Cat track system	99CT-136	1
2	Bolt include with ATV	ATV	4
3	Adaptor plate for hub with bolts (front and rear)	04am-001	1
4	Hexagonal Nut 7/16"-14 NC	HN-7/16-14NC	4
5	Hub include with ATV	ATV	1