



FORMERLY  
CAMOPLAST  
SOLIDEAL

# 2018 CAMSO ATV/UTV TRACK SYSTEMS



# GO FURTHER

At Camso, we push ourselves to contribute to the advancement of the rider journey by actively engaging the powersports community to exceed expectations in track and track system development, performance and delivery.



# PUSH YOUR VEHICLE'S PERFORMANCE TO THE NEXT LEVEL

You rely on your all-terrain vehicle (ATV) or side-by-side (SxS) to do more, to get you where you need to go, or to help get that job done.

No matter how rugged your machine is, deep snow, serious mud, and swampy terrain can sometimes be too much for your wheels to handle.

Equip your ATV or SxS with track systems to get reliable year-round mobility.

## Get more of what you're driving for

- Expand your mobility and go where you want, when you want
- Reach mind-blowing versatility, stability, and handling on any terrain
- Drive with enough power for heavy hauling and pulling



We use a Camso track system all seasons because it's the only way to stay safe when we drive a vehicle in snow and mud on these steep slopes.

**M.Robert**  
Can-Am Outlander 800  
Employee of FUNIVIE CIAMPINOI in Italy  
Purchase reason: Maintenance and assistance on ski site



# STAY ON TOP OF WHAT YOU'RE DRIVING

## Superior flotation

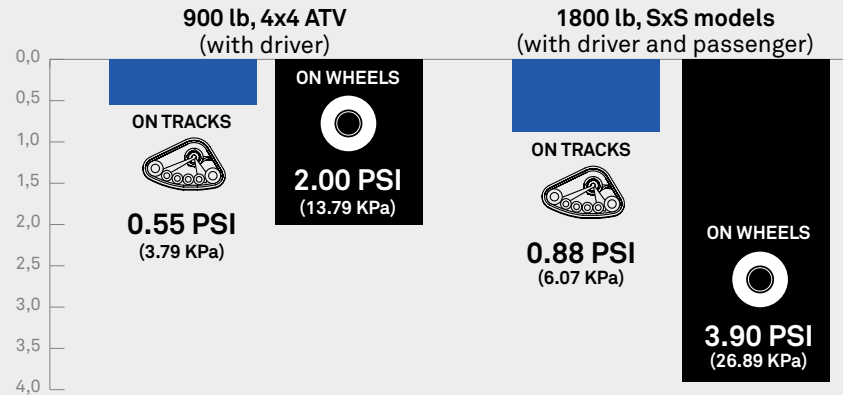
Where wheels just sink, Camso track systems will keep you moving by distributing your vehicle's weight over a greater surface area.

That means you can go just about anywhere, on any surface.

- Pressure reduced by up to 75%\*
- Optimized weight distribution

\*May vary depending on vehicle weight and load carried.

### Average ground pressure



## Outstanding traction

With our tracks and treads specifically designed for ATVs and SxS vehicles, it's hard to get stuck even with the heaviest of loads.

- No compromises on carrying or towing capacity

## Responsive handling

Enjoy precise and solid handling; thanks to the track's rigid frame, anti-rotation features, specialized design, and wider, longer wheelbase.

- Less vibration for more comfort
- Low center of gravity and bigger footprint for greater stability



# CHANGING YOUR VEHICLE? NO PROBLEM!

Your Camso track system is interchangeable with over 99% of brands and models.

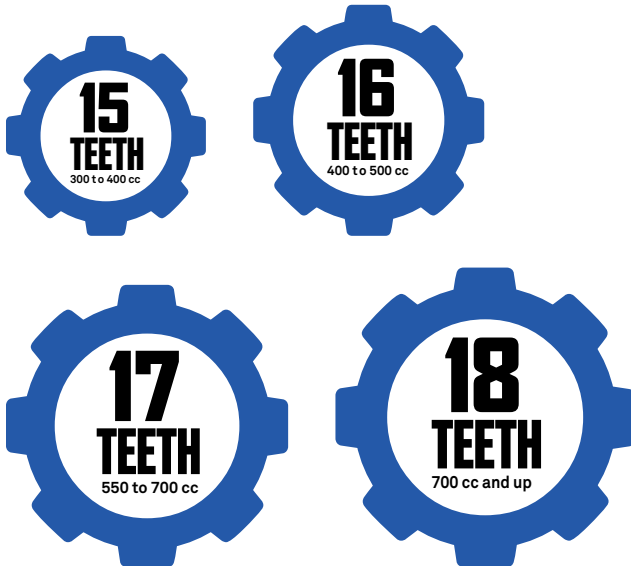
You can keep the same track system and install it on your new machine. It's another way to maximize your investment and your driving pleasure.

## Drive sprockets geared to your machine

Camso tailors track systems individually to match your engine and machine. The size of the drive sprockets we provide in your track kit are specifically engineered and adapted to your specific vehicle.

They maintain maximum speed and improve low-end power.

## Sprockets sized by vehicle \*\*



\*\* May vary depending on model.

## Anti-rotation and brackets

Our anti-rotation system is designed with a factory pre-loaded spring and dual rubber damper that keeps your tracks firmly in place and ensures your machine's performance.

- Rear track spring anti-rotation system allows you to back up over obstacles
- Built to absorb the impact of every bump and jolt to prevent vehicle damage.

---

## Quick and easy installation and removal

With a few basic tools, you can get the recurrent installation done in an hour or less.†

Nonetheless, we recommend that you have an authorized dealer carry out the first installation.

† Average installation time varies depending on vehicle make and model.

CAMSO

# UTV 4S1



SIDE-BY-SIDE

## Tough and ready for the long haul

This track system reaches the next level of performance in any conditions. You simply won't find another track kit offering this level of ride quality, performance, durability and ease of use. It's the best choice for any applications including deep snow, swamps, marshes, mud and muskeg.

MACHINE

400<sup>CC</sup>  
TO  
1000<sup>CC</sup>

« **The Camso UTV 4S1 track system allows me to use my vehicle 365 days a year and travel wherever I want in the winter. What a difference! It's a great investment that has gone far beyond my expectations. Kudos!**

**Tim Sether,**  
Ranger 900 XP,  
Avery Unlimited LLC, Stacy, MN



## BEARING HOUSING

### Triple bearing design with oil bath lubrication

- Improved bearing durability
- Stainless sleeves for greater reliability

## SOLID STEEL FRAME

### Open light-weight design

- Improved durability and performance
- Easily sheds snow, mud, and debris

## PUNCTURE-PROOF TIRES

### High-density tire with adjusted shape

- Reduced friction and wear
- Maximizes shock absorption to improve ride quality
- Delivers trouble-free performance

12.5 in\*

## CAMSO'S EXCLUSIVE FLEX-TRACK DESIGN

### Front-mounted tracks with flexible sides and slight curve toward the inside

- Stable handling
- More comfortable ride than traditional flat tracks
- Precise steering for pleasant long-distance riding and long working hours

## WHEEL AND SEAL

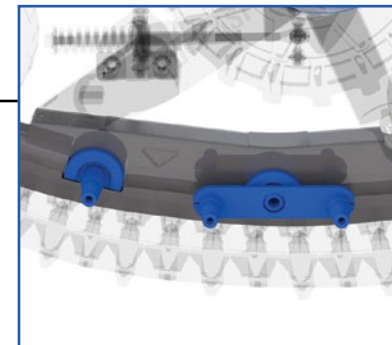
### Enhanced wheel seal design

- Improved sealing and guiding and reduced wear
- Eliminates water absorption due to temperature variations

## TANDEM STABILIZER AND WHEEL SHAFT

### Rubber-mounted shafts

- Eliminates need for greasing
- Absorbs shocks for a smoother and more stable ride



\* Front track (Rear track: 14 in)

# SERVICE WHEN AND WHERE YOU NEED IT

Camso's technical expertise and service are second to none. Wherever in the world you're located, access a Camso expert through one of our many dealers, distributors, or through our direct assistance line. We're ready to respond to every question or need.

## 2-year limited warranty

Camso track systems are covered by a best-in-class two-year limited warranty.

**1-866-533-0008** (USA and Canada only)  
**enduser.atv@camso.co**





# TECHNICAL SPECIFICATIONS

SYSTEM	CAMSO ATV R4S	CAMSO ATV T4S	CAMSO UTV 4S1
<b>Machine size</b>	<b>300 cc to 500 cc</b>	<b>300 cc to 1000 cc</b>	<b>400 cc to 1000 cc</b>
Offset (length)	Front: 25 in (638 mm)   Rear: 26 in (658 mm)	Front: 24 in (609 mm)   Rear: 27 in (685 mm)	Front: 26.5 in (673 mm)   Rear: 35 in (889 mm)
Offset (width)	5.5 in (140 mm)	6 in (153 mm)	7.25 in (184 mm)
Weight	60 lb (27 kg)	71 lb (30 kg)	Front: 103 lb (47 kg) Rear: 120 lb (54 kg)
Height	Front: 24 in (610 mm) Rear: 24 in (610 mm)	Front: 23.8 in (604 mm) Rear: 23.2 in (590 mm)	Front: 25 in (637 mm) Rear: 24.7 in (626 mm)
Length	Front: 40 in (1016 mm) Rear: 43 in (1092 mm)	Front: 40 in (1016 mm) Rear: 42.5 in (1081 mm)	Front: 42.5 in (1081 mm) Rear: 52 in (1321 mm)
Width	8.4 in (213 mm)	22 in (560 mm)	25 in (635 mm)
Mounting hardware weight	Approx. 6.25 lb (2.75 kg)	Approx. 6.25 lb (2.75 kg)	Approx. 6.25 lb (2.75 kg)
<b>RUBBER TRACK</b>			
Width	Front: 8 in (203 mm)   Rear: 8 in (203 mm)	Front: 11.5 in (292 mm)   Rear: 12.5 in (318 mm)	Front: 12.5 in (318 mm)   Rear: 14 in (356 mm)
Length	Front: 93.4 in (2372 mm)   Rear: 98.6 in (2504 mm)	Front: 93.4 in (2372 mm)   Rear: 98.5 in (2507 mm)	Front: 98.5 in (2507 mm)   Rear: 116.7 in (2964 mm)
Lug height	Front: 7/8 in (22 mm)   Rear: 1 in (25 mm)	Front: 1.25 (32 mm)   Rear: 1.25 in (32 mm)	Front: 1.125 in (29 mm)   Rear: 1.125 in (29 mm)
<b>PERFORMANCE</b>			
Ground surface	1 333 sq in (0.86 m <sup>2</sup> )	2000 sq in (1.30 m <sup>2</sup> )	2520 sq in (1.62 m <sup>2</sup> )
Ground clearance (average)	Increased by 3 ¼ in (83 mm)	Increased by 3 in (76 mm)	Increased by 5 in (127 mm)
Maintained speed (average)	2/3	2/3	2/3
<b>SPECIFICATION</b>			
Drive type	Internal drive	Internal drive	Internal drive
Sprocket	15 to 18 teeth	15 to 18 teeth	15 to 18 teeth
Rubber track	Front: Flat Rear: Flat	Front: Flex Rear: Flat	Front: Flex Rear: Flat
Frame	Carbon steel	Carbon steel	Carbon steel
Idler and mid-roller Wheels/Tire	134-mm double-bearing and sealed mid-roller wheels. Bladder-type wheel cap. 200-mm double-bearing.	134- and 202-mm encapsulated and sealed wheel including elastomer outer band. Bladder-type wheel cap.	132-mm double-bearing mid-roller wheels (width: 50 mm). 241-mm double-bearing flat-free tires. Bladder-type wheel cap and face seal.
Guide	Molded UHMW	Molded UHMW	Molded UHMW
Hub and bearing	Oiled 2-bearing with cast steel multi-bolt (4-5) pattern hub.	Cast steel multi-bolt (4) pattern hub.	Oiled 3-bearing with forged steel multi-bolt. (4-5) pattern hub.
Tandem and suspension	N/A	Mono front tandem on pivot point with bolted wheels.	Rubber mount steel tandem. Rubber mount aluminium shaft axle. Maintenance free.
Anti-rotation	Redesigned mild steel anti-rotation single-rate spring and progressive damper. Quick-connect steering limiter design.	Redesigned mild steel anti-rotation single-rate spring and progressive damper. Quick-connect steering limiter design.	Redesigned mild steel anti-rotation single-rate spring and progressive damper. Quick-connect steering limiter design.
<b>MAINTENANCE</b>			
Installation time	< 2 hr	< 2 hr	< 2 hr
Subsequent	< 1 hr	< 1 hr	< 1 hr

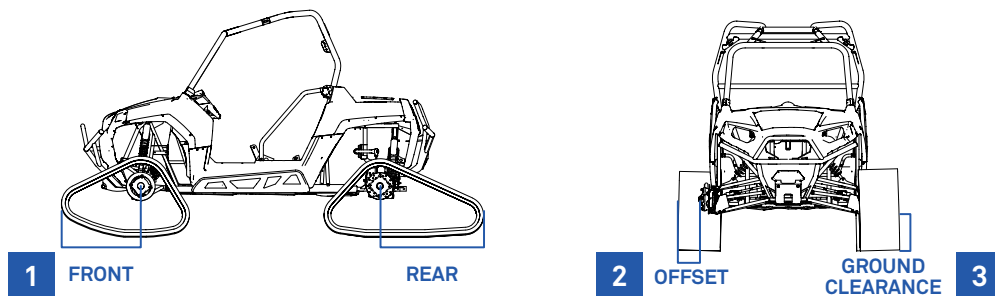
## Note :

Certain characteristics may vary depending on vehicle make and model.

\*We recommend initial installation of Camso Track Systems be performed at an authorized dealer.

Installation time may vary depending on vehicle make and model.

## HOW TO MEASURE THE FIT WITH YOUR TRAILER



# Camso, formerly Camoplast Solideal

We are your tire, track and track system solution provider with a unique understanding of off-the-road mobility. We are the Road Free company.



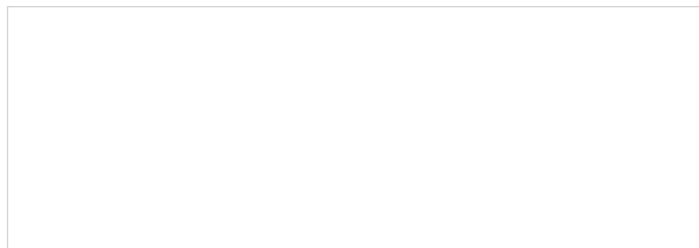
Connect with us  
for exclusive  
road free content



YouTube



[camso.co](http://camso.co)



PRINTED IN CANADA (2017-18) © 2017 Camso Inc. All rights reserved. ® and ™ are trademarks of Camso Inc. Camso Inc. reserves the right to change or discontinue any specifications, designs, features, models, or accessories shown or indicated without notice.



FORMERLY  
CAMOPLAST  
SOLIDEAL