

CAMSO MPT 793S



TELEHANDLERS



COMPACT
WHEEL LOADERS



SEVERE-DUTY FLAT-FREE TIRE SOLUTION

A severe-duty solid multi purpose tire solution. With flat-free operation, the MPT 793S provide excellent stability, ride quality and unmatched durability.

camso.co

PERFORMANCE

TIRE LIFE



PUNCTURE RESISTANCE



TRACTION



CAMSO MPT 793S



ENGINEERED SOLID TIRE SOLUTION

- Provides flat-free operation and ultimate productivity in severe conditions

MASSIVE NON-DIRECTIONAL TREAD PATTERN

- Improves durability and versatility

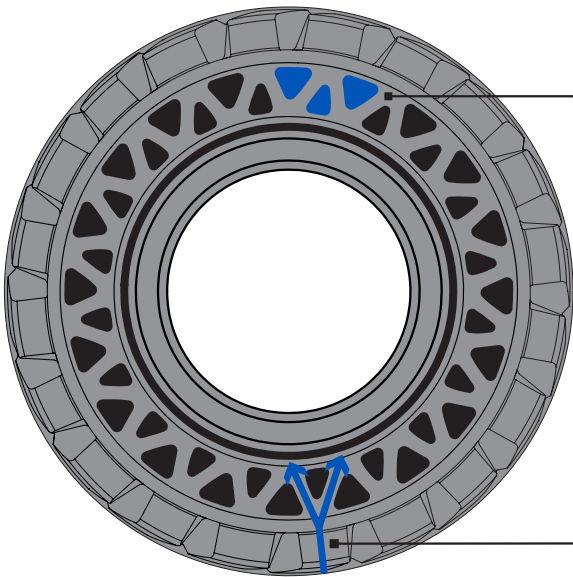
TRIANGULAR APERTURE SIDEWALL DESIGN

- Maximizes stability and ride quality

STEPPED SHOULDER LUGS

- Enhances tread cleanout for better traction in softer surfaces

TIRE SIZE	EQUIVALENT SIZES	RIM SIZE	TIRE DIMENSIONS			LOAD CAPACITY [kg] [lb]			
			O.D. [mm] [in]	O.W. [mm] [in]	O.T.D. [mm] [32nd]	Static	5 km/h 3 mph	10 km/h 6 mph	25 km/h 16 mph
385/70-20	405/70-18; 15-19.5 400/70-20; 405/70-20; 16/70-20	10.00	1041	379	54	12460	9900	8995	8250
			41.0	14.9	68	27470	21825	19830	18190
375/85-24	400/80-24; 15.5-25 12.00-24; 405/70-24; 16/70-24	10.00	1245	370	60	15100	12000	10900	10000
			49.0	14.6	76	33290	26455	24030	22045



Deep, alternating triangular aperture holes minimize weight and stress on machine components

Aperture hole bridge structure optimizes stability, load distribution and comfort

