

CAMSO MPT 793S



TELEHANDLERS



COMPACT
WHEEL LOADERS



SEVERE-DUTY FLAT-FREE TIRE SOLUTION

A severe-duty solid multi purpose tire solution. With flat-free operation, the MPT 793S provide excellent stability, ride quality and unmatched durability.

camso.co

PERFORMANCE

TIRE LIFE



PUNCTURE RESISTANCE



TRACTION



CAMSO MPT 793S



ENGINEERED SOLID TIRE SOLUTION

- Provides flat-free operation and ultimate productivity in severe conditions

MASSIVE NON DIRECTIONAL TREAD PATTERN

- Improves durability and versatility

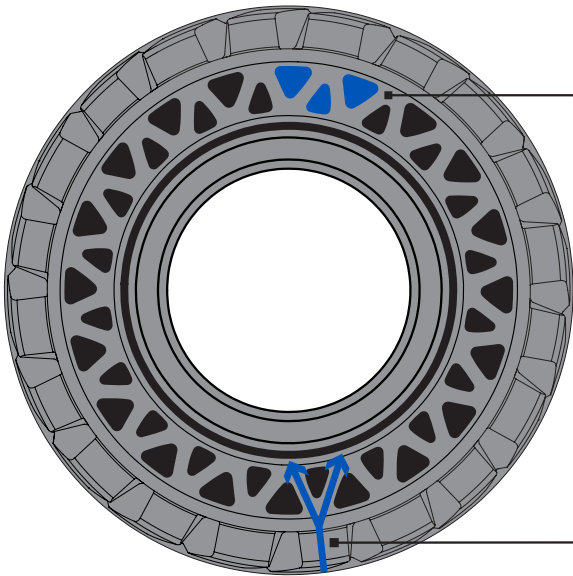
TRIANGULAR APERTURE SIDEWALL DESIGN

- Maximizes stability and ride quality

STEPPED SHOULDER LUGS

- Enhances tread cleanout for better traction in softer surfaces

TIRE SIZE	REPLACEMENT SIZE	HEEL WIDTH	RIM SIZE	TIRE DIMENSIONS			LOAD CAPACITY			
				O.D. [mm] [in]	O.W. [mm] [in]	O.T.D. [mm] [32nd]	Other vehicles			Static
							6 km/h 4 mph	10 km/h 6 mph	25 km/h 16 mph	0 km/h 0 mph
385/70-20	405/70-18 16/70-20	10.00	10.00	1039	385	55	9900	8995	8250	12460
				40.9	15.2	69	21825	19830	18190	27470
375/85-24	400/80-24 15.5-25	10.00	10.00	1245	375	60	10200	9265	8500	12835
				49.0	14.8	76	22485	20425	18740	28295



Deep, alternating triangular aperture holes minimize weight and stress on machine components

Aperture hole bridge structure optimizes stability, load distribution and comfort

AUTHORIZED DISTRIBUTOR:

camso.co



FORMERLY CAMOPLAST SOLIDEAL