

TRACTOR APPLICATIONS



CONVERSION TRACK SYSTEM FOR TRACTOR

CAMSO CTS TRACTOR

Reduces compaction zones and increases traction

Engineered to easily convert tractors to tracks with minimum maintenance. It's the simplest MFWD conversion track system in the market. With excellent traction and flotation in wet or soft ground conditions, it's a perfect choice for tillage and rice fields.

PERFORMANCE
SPEED



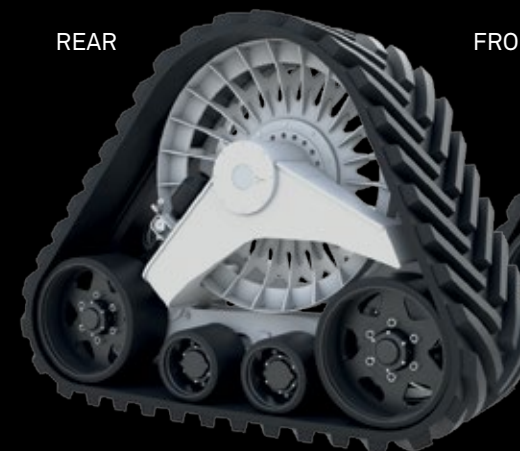
FLOTATION



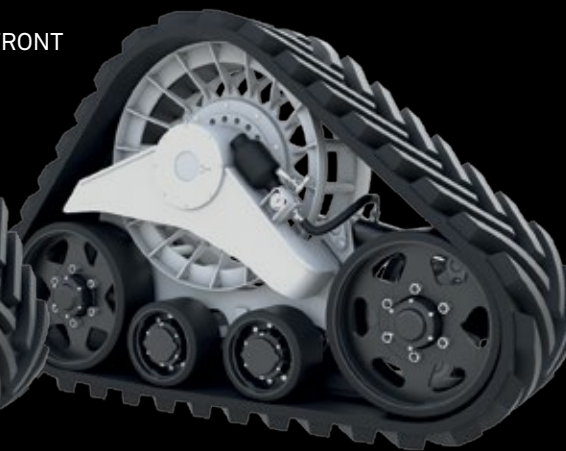
RIDE QUALITY



REAR



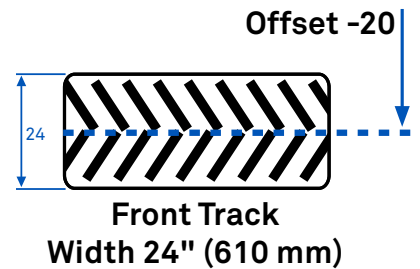
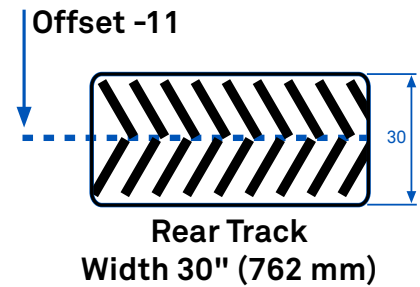
FRONT



CTS TRACTOR

Reduce your compaction zones and increase traction

Engineered to easily convert tractors to tracks. With excellent traction and flotation in wet or soft ground conditions, it's a perfect choice for tillage and rice fields.



Sprocket

To get the most power to the ground

- Positive drive sprocket designed to engage up to 8 drive lugs

Main frames

Simplifies maintenance operations

- Oil bath drive hubs

Suspension

Improves ground contact on uneven terrain to help transfer power to the ground

- Patented double oscillating bogie wheels

Hydraulic tensioning system

Maximizes tractive performance hydraulic tensioning system with nitrogen-charged accumulator

- Maintains track tension for each system independently

Track

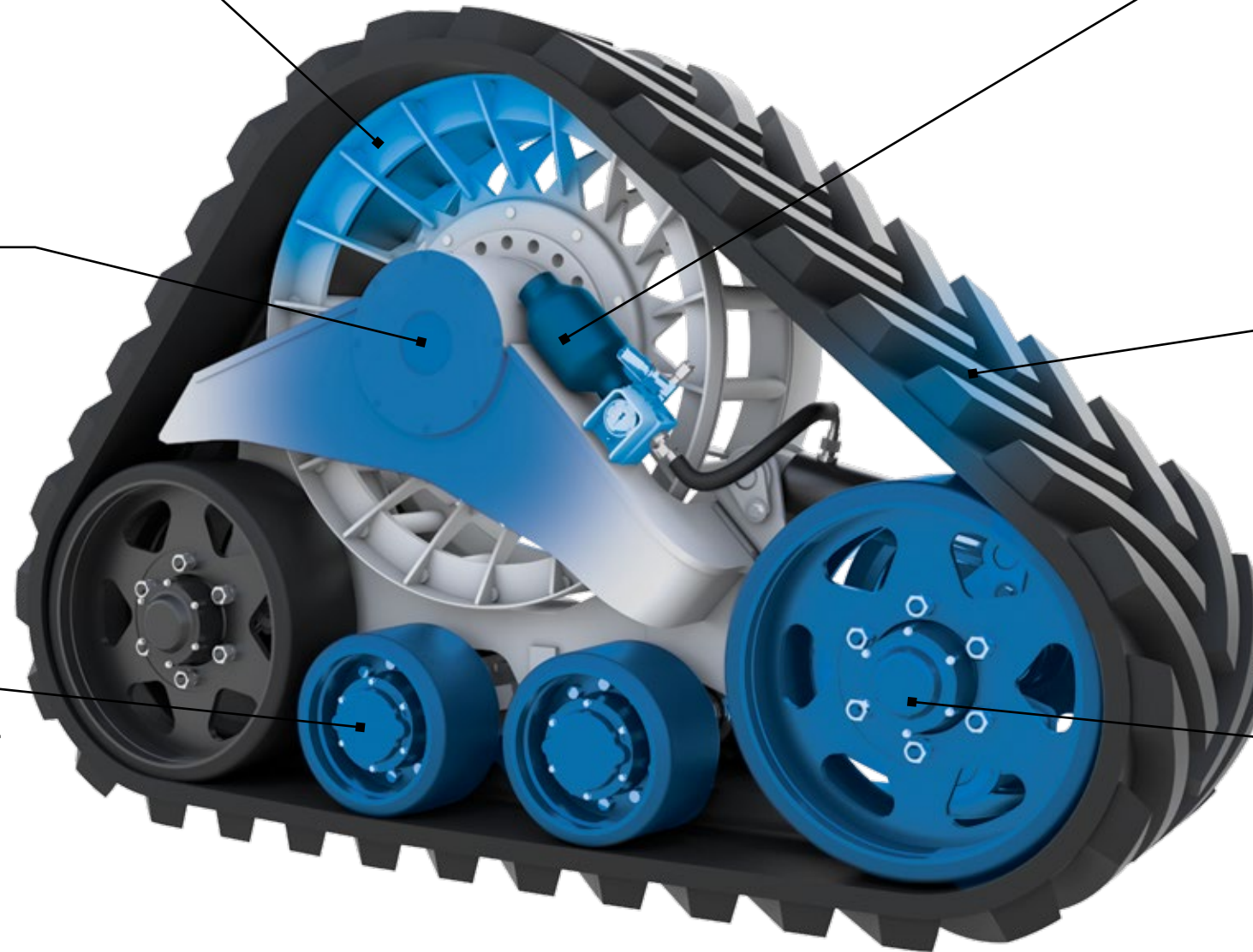
Improves traction

- Designed with a large track footprint to reduce ground pressure and high traction tread pattern

Wheels

Simplifies maintenance operations

- Heavy duty wheel hubs with oil bath lubrication
- No greasing or repacking of bearings

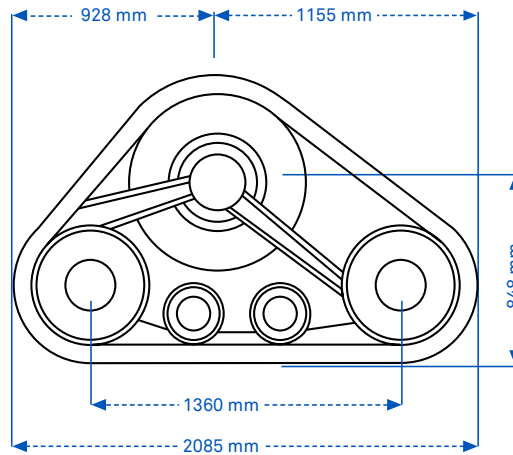


CAMSO CTS TRACTOR

TRACK SYSTEM FRONT

24D18C

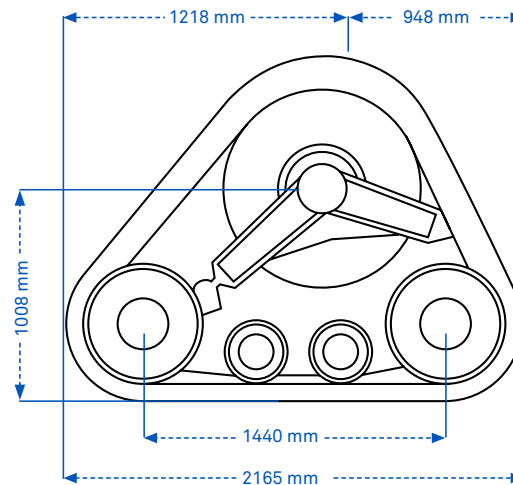
Track width	610 mm (24 po)
Track system height	1367 mm
Track system length	2060 mm
Flat plate area per pair (m ²)	1,66 m ²



TRACK SYSTEM REAR

30D23MC

Track width	762 mm (30 po)
Track system height	1641 mm
Track system length	2164 mm
Flat plate area per pair (m ²)	2,19 m ²



Camso provides comprehensive warranty coverage for a period of 12 months from date of purchase, for Conversion Track System (CTS) against defects in materials and workmanship. Some conditions apply. Refer to the warranty certificate for details. For more info, visit camso.co/agriculture