

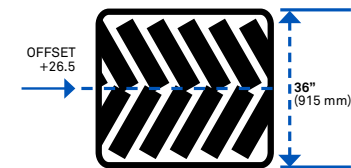
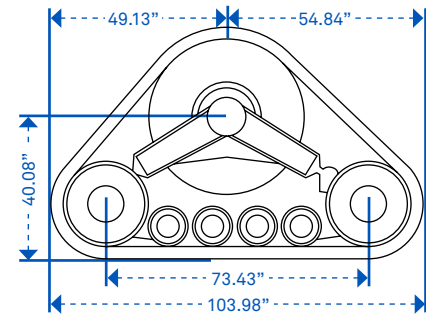
# CTS SUSPENDED

## Field ready when you're ready

Designed to increase field access, stability and ride comfort. The best choice for combines facing the toughest conditions.

### 36Q23MA

Track width	36"
Track system height	65"
Track system length	104"
Flat plate area per pair (in <sup>2</sup> )	5,285



36" wide track

## Main frame

Resulting in smoother ride and less wear on equipment and operators

- Suspended upper and lower frame design with rubber isolation

*Only applicable for CTS High Speed and CTS Suspended*

## Suspension

Improves ground contact on uneven terrain, which helps transfer power to the ground

- Improves machine stability and header placement
- Patented double oscillating bogie wheels

*Only applicable for CTS High Speed and CTS Suspended*



## OPTIONAL SPEED MULTIPLIER

Optional on 36Q track systems

- 30% faster roading speed out of your CTS
- Heavy duty gear box design
- 100% bolt-on feature that mounts between track system and final drive

## Hydraulic tensioning system

Maximizes tractive performance and keeps sprocket and lug at optimum contact to extend track life

- Hydraulic tensioning system with nitrogen-charged accumulator

## Wheels

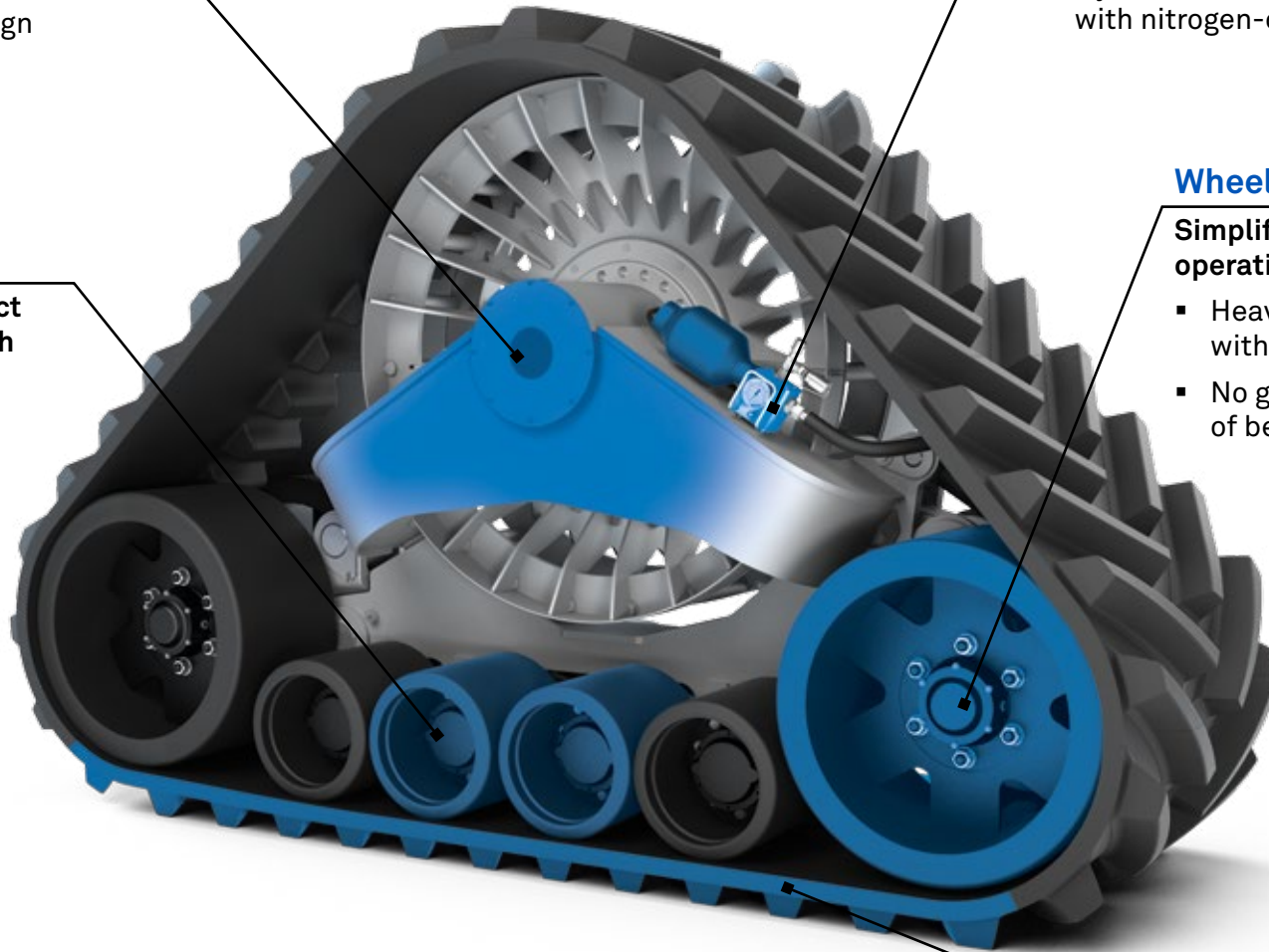
Simplifies maintenance operations

- Heavy-duty wheels hubs with oil bath lubrication
- No greasing or repacking of bearings

## Track

Large footprint that offers over 65% reduction in ground pressure

- Increases mobility on soft ground conditions



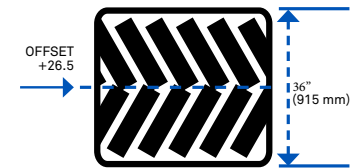
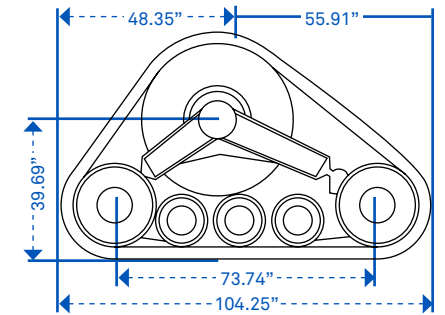
# CTS STANDARD

More access to fields for maximum yields

Designed to increase field access and stability in soft ground conditions.

### 36T23A

Track width	36"
Track system height	64.6"
Track system length	104.3"
Flat plate area per pair (in <sup>2</sup> )	5,309



36" wide track



# COMBINE APPLICATIONS



# CONVERSION TRACK SYSTEM FOR COMBINES

NEW

## CAMSO CTS HIGH SPEED

Faster roading speeds, more performance

The industry's first 100% bolt-on track system for combines with an integrated final drive system to achieve similar roading speeds to wheeled combines.



PERFORMANCE SPEED



FLOTATION



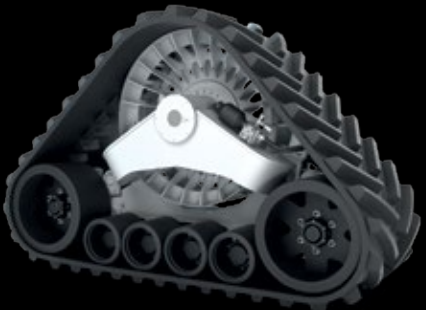
RIDE QUALITY



## CAMSO CTS SUSPENDED

Field ready when you're ready

Designed to improve ride quality and achieve maximum ground contact.



PERFORMANCE SPEED



FLOTATION



RIDE QUALITY



## CAMSO CTS STANDARD

More access to fields for maximum yields

Designed to increase field access and stability in soft ground conditions.



PERFORMANCE SPEED



FLOTATION



RIDE QUALITY

