

# CONVERSION TRACK SYSTEM



CAMOPLAST TRACK SYSTEMS  
ARE BECOMING CAMSO  
TRACK SYSTEMS.



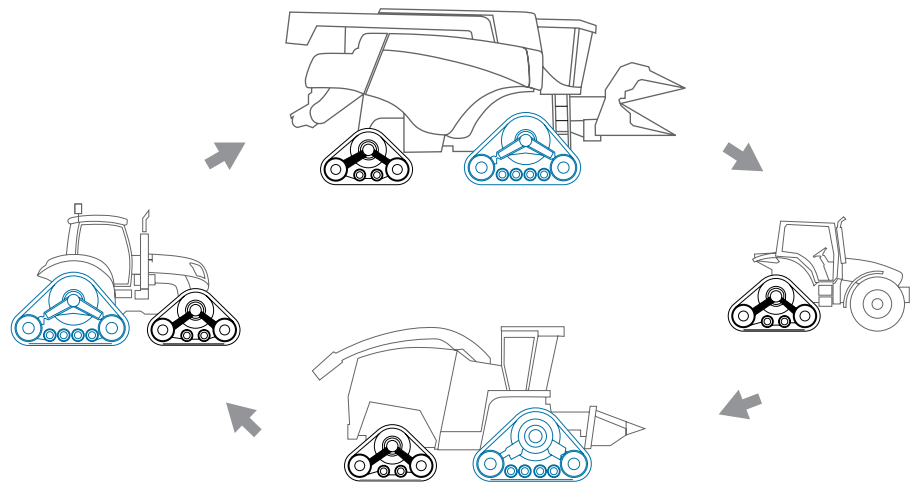




# ON ANY GROUND ON ANY EQUIPMENT

The CAMSO conversion track system increases your machine's mobility and flotation for better access to fields with soft ground conditions. Its large footprint reduces ground compaction, minimizes field damage, and increases stability, maximizing the overall efficiency and quality of your work.

Flexible and adaptable like no other, it can be used on different machine models and applications. The CAMSO conversion track system is engineered for the toughest conditions and reduces ground pressure by over 65%.





# CONVERSION TRACK SYSTEM

## COMBINE APPLICATIONS

### MAIN FRAME

Resulting in smoother ride and less wear on equipment and operator

- Suspended upper and lower frame design with rubber isolation

### HYDRAULIC TENSIONING SYSTEM

Maximizes tractive performance and keeps sprocket and lug at optimum contact to extend track life

- Hydraulic tensioning system with nitrogen-charged accumulator

### TRACK

Reduces compaction zones  
Increases mobility on soft ground conditions

- Large footprint

### SUSPENSION

Improves ground contact on uneven terrain, which helps transfer power to the ground

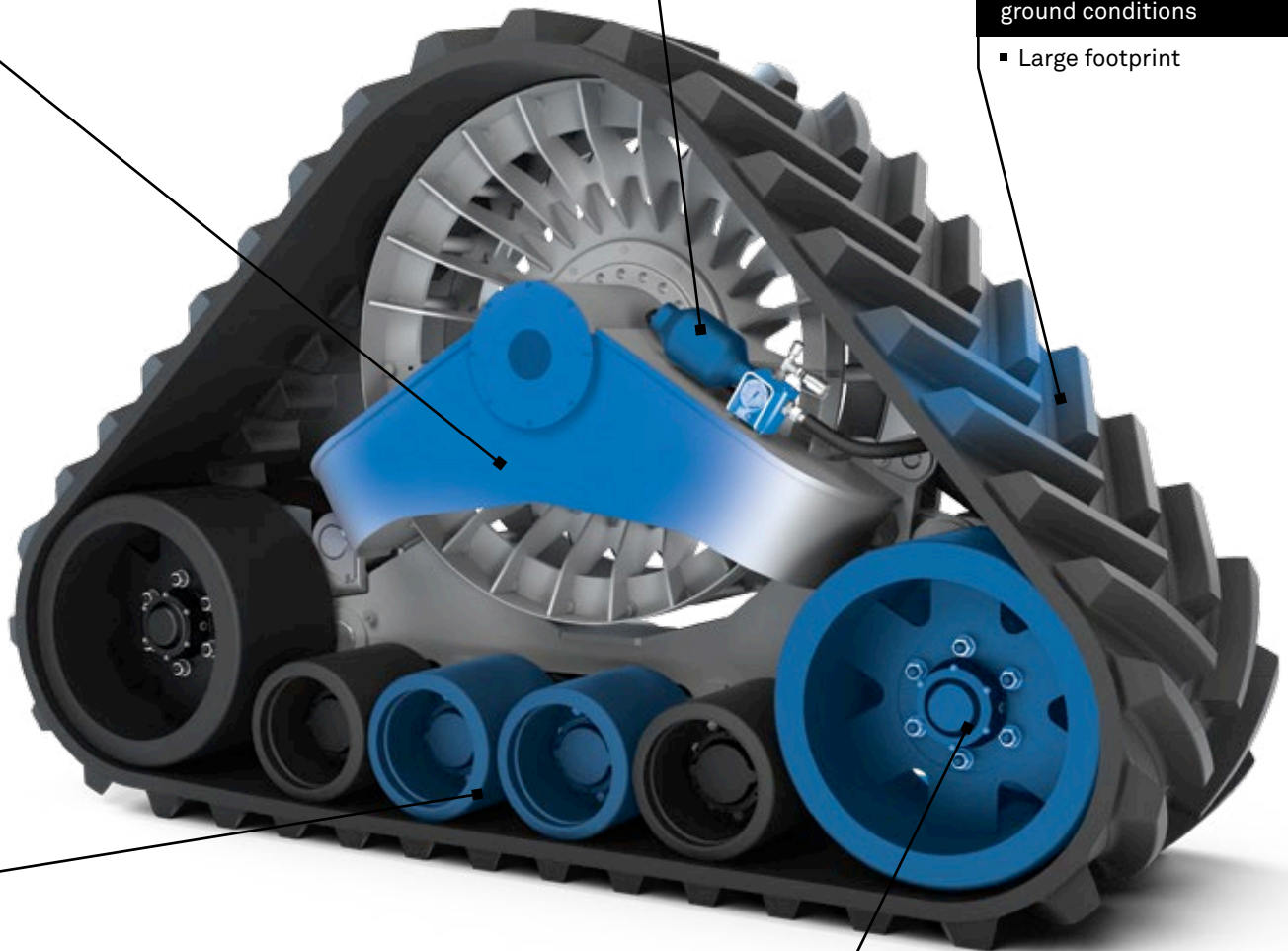
Improves machine stability and header placement

- Patented double oscillating bogie wheels

### WHEELS

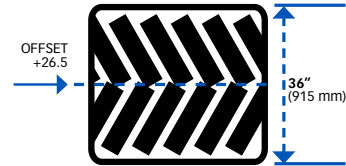
Simplifies maintenance operations

- Heavy-duty wheels hubs with oil bath lubrication
- No greasing or repacking of bearings



## Standard and Suspended track systems

Designed for class 5-9 combine applications.

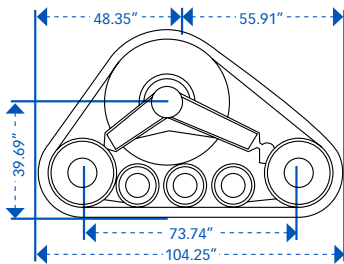


36" wide track

### CTS STANDARD

#### More access to fields for maximum yields

Designed to increase field access and stability in soft ground conditions.



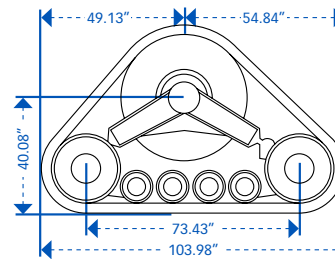
#### 36T23A

Track width	36"
Track system height	64.6"
Track system length	104.3"
Flat plate area per pair (in <sup>2</sup> )	5,309

### CTS SUSPENDED

#### Field ready when you're ready

Designed to improve ride quality and achieve maximum ground contact.



#### 36Q23MA

Track width	36"
Track system height	65"
Track system length	104"
Flat plate area per pair (in <sup>2</sup> )	5,285

### OPTIONAL SPEED MULTIPLIER

#### Optional on 36Q track systems

- 30% faster roading speed out of your CTS
- Heavy duty gear box design
- 100% bolt-on feature that mounts between track system and final drive



# CONVERSION TRACK SYSTEM

## TRACTOR APPLICATIONS

### MAIN FRAMES

Simplifies maintenance operations

- Rigid track frames for front suspended tractor axles
- Suspended track frames for rear solid axle
- Oil bath drive hubs

### SPROCKET

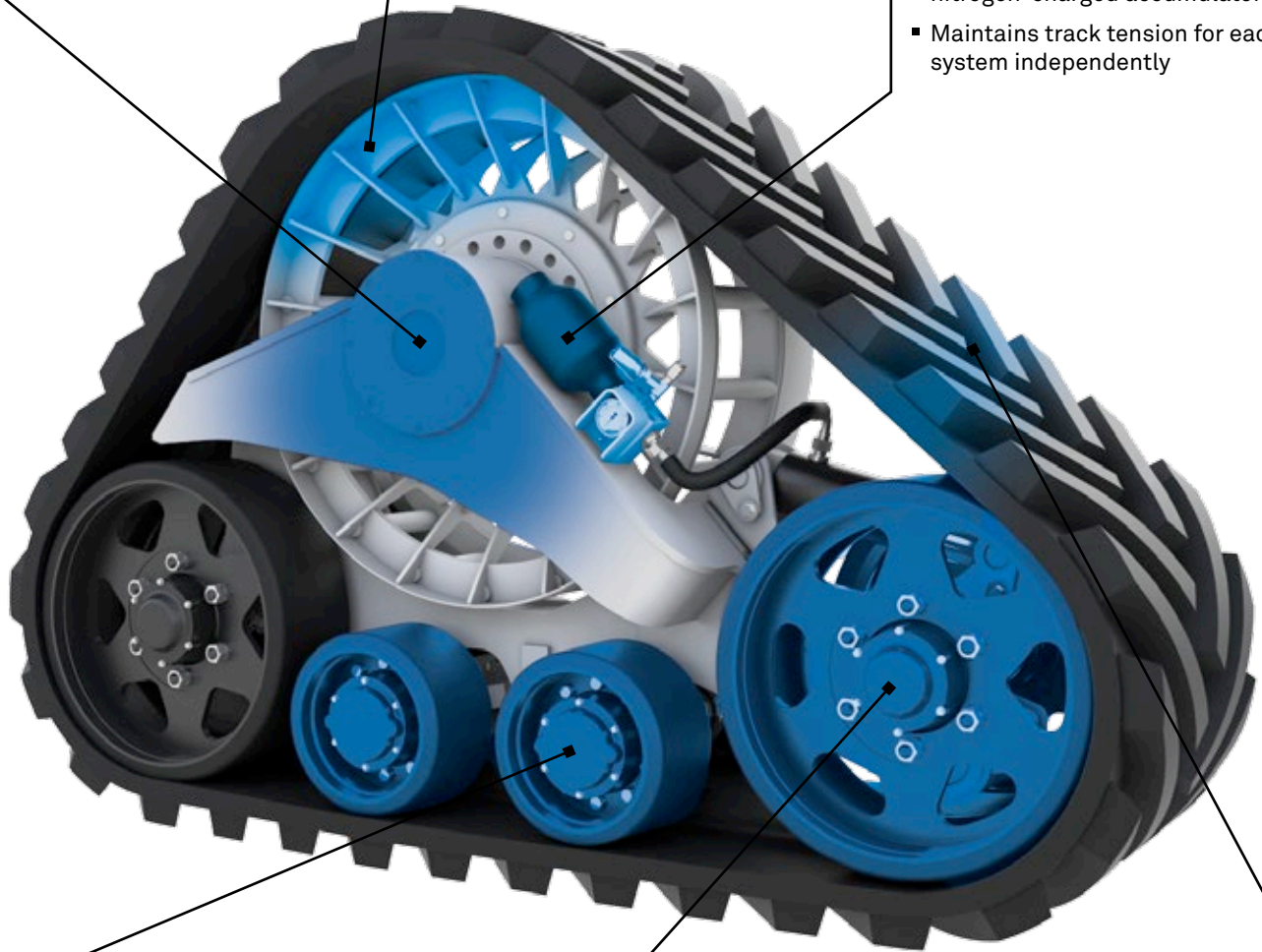
To get the most power to the ground

- Positive drive sprocket designed to engage up to 8 drive lugs

### HYDRAULIC TENSIONING SYSTEM

Maximizes tractive performance

- Hydraulic tensioning system with nitrogen-charged accumulator
- Maintains track tension for each system independently



### SUSPENSION

Smoother field ride and greater operator comfort

- Suspension system (for rear tractor axle only): Patented double oscillating bogie wheels and upper and lower frames ride on rubber absorbers

### WHEELS

Simplifies maintenance operations

- Heavy duty wheel hubs with oil bath lubrication
- No greasing or repacking of bearings

### TRACK

Improves traction

- Designed with a large track footprint and high traction tread pattern

## Reduce your compaction zones

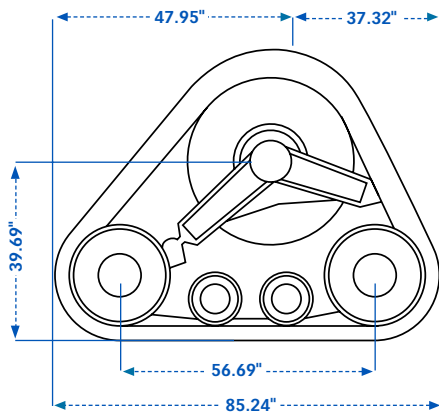
Engineered to easily convert tractors to tracks. With excellent traction and flotation in wet or soft ground conditions, it's the perfect choice for tillage and rice fields.

## Improves tractor stability

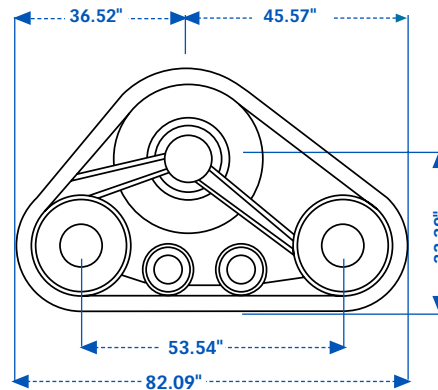
100% bolt conversion.  
Fits tractors with suspended MFWD.



## REAR TRACK SYSTEM



## FRONT TRACK SYSTEM



### 30D23MC

Track width	30"
Track system height	64.6"
Track system length	85.2"
Flat plate area per pair (in <sup>2</sup> )	3,402

### 24D18C

Track width	24"
Track system height	53.8"
Track system length	82.1"
Flat plate area per pair (in <sup>2</sup> )	2,568

Camso is the best of Camoplast and Solideal.  
To keep moving forward while staying true to our history,  
we're now the Road Free company.

[camsso.co](http://camsso.co)



FORMERLY  
CAMOPLAST  
SOLIDEAL