

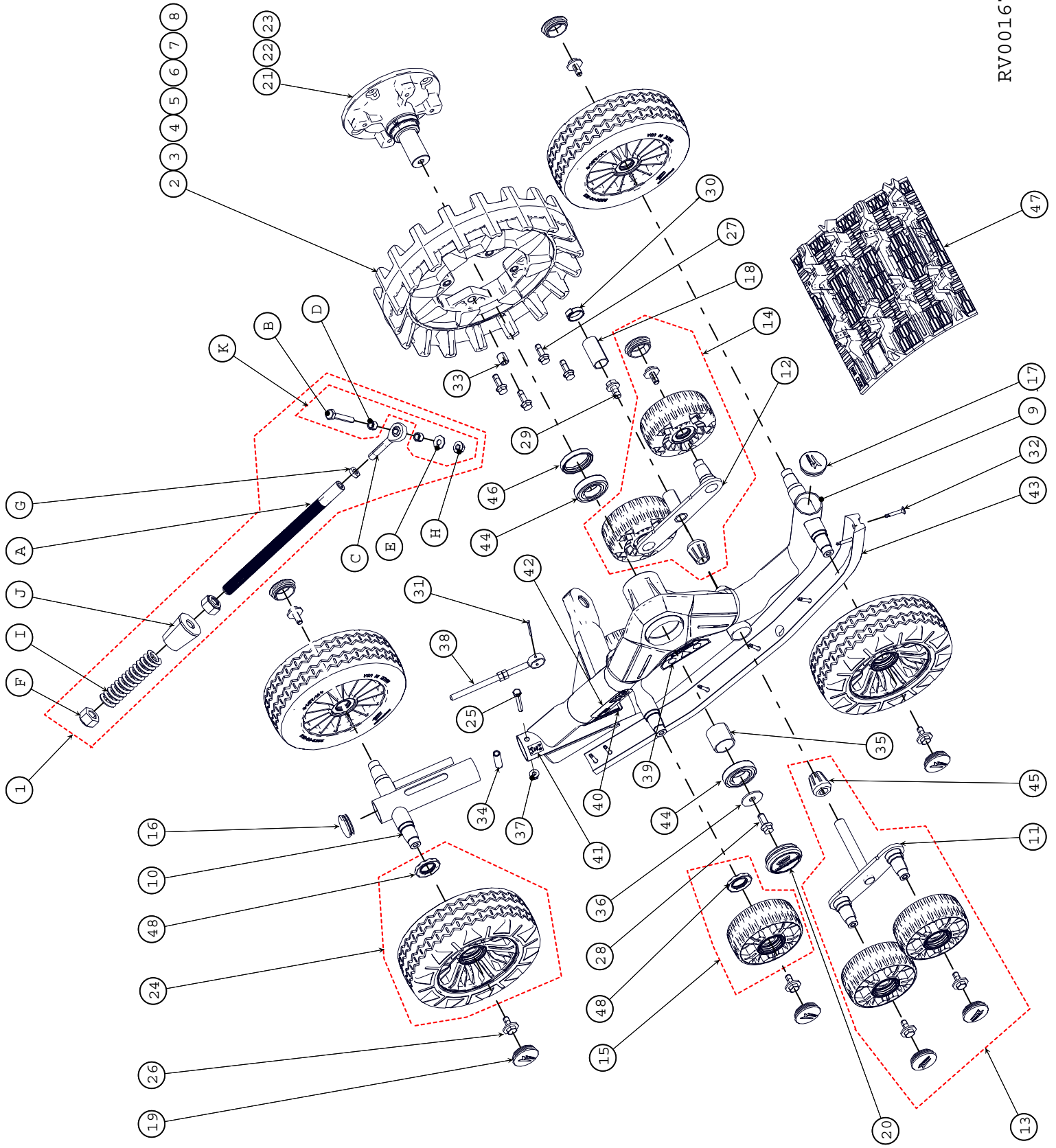
2012

PARTS LIST

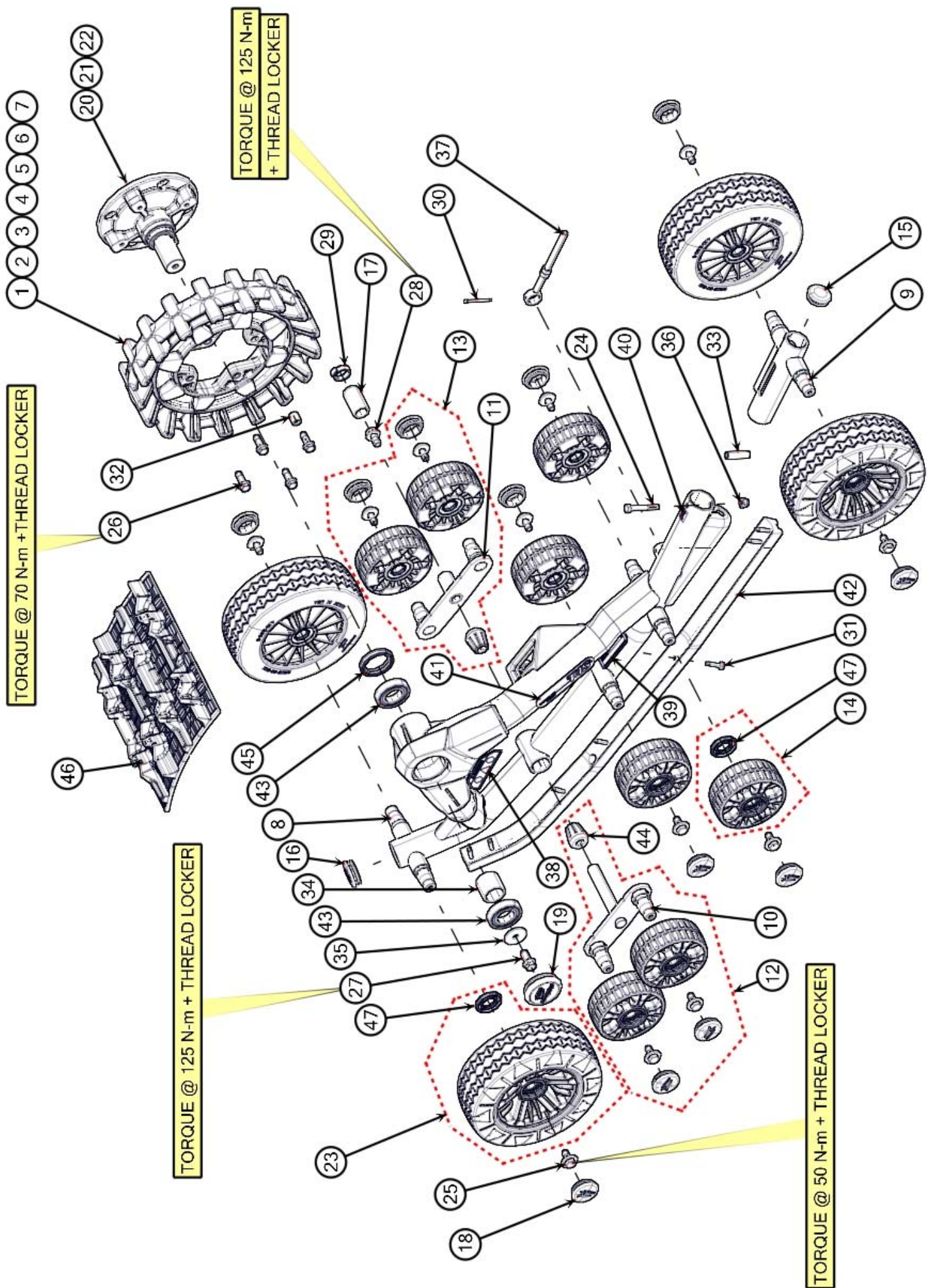
CAMOPLAST **T4S**
TATOU UTV



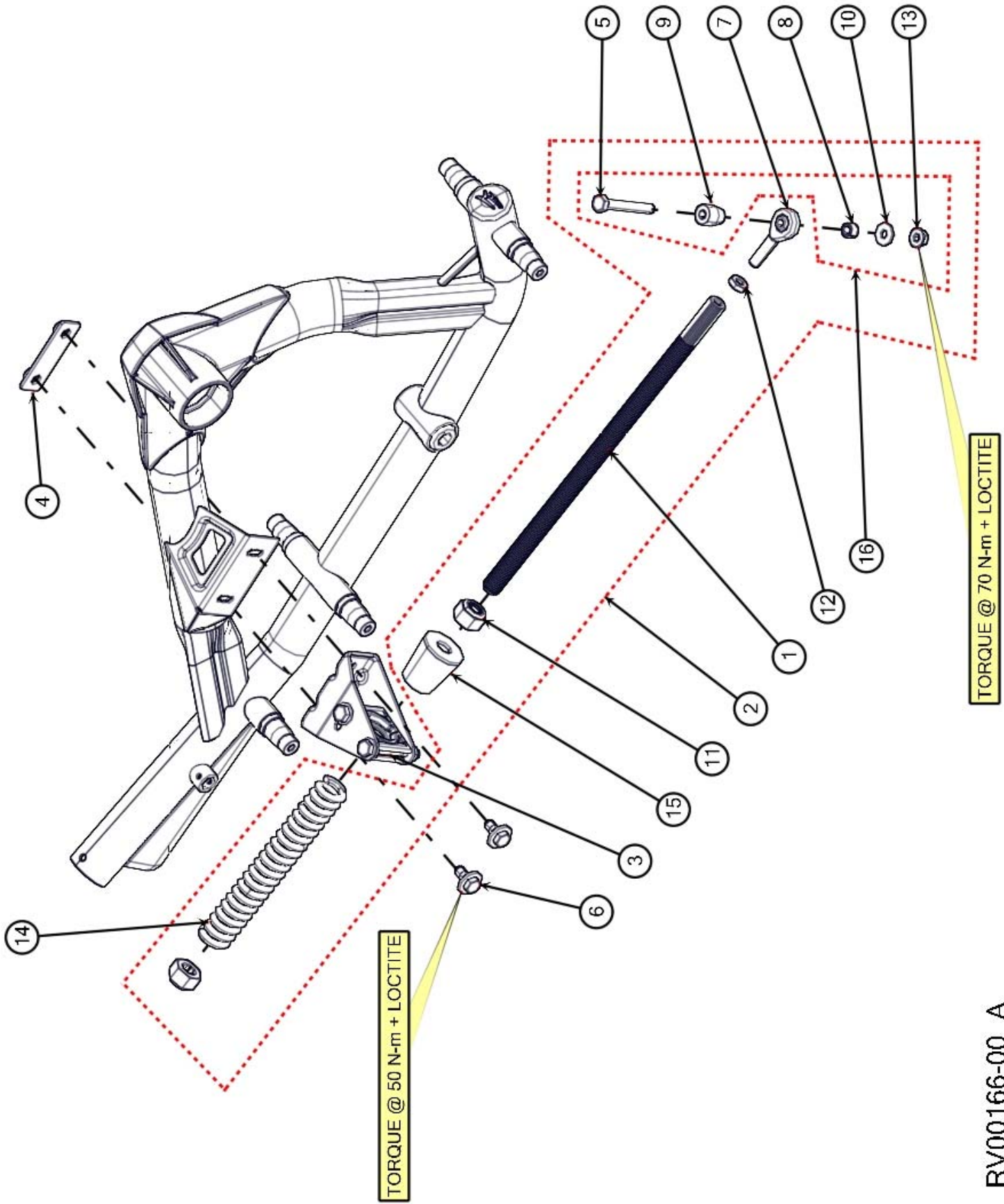
camoplast
HI-PERFORMANCE TRACKS



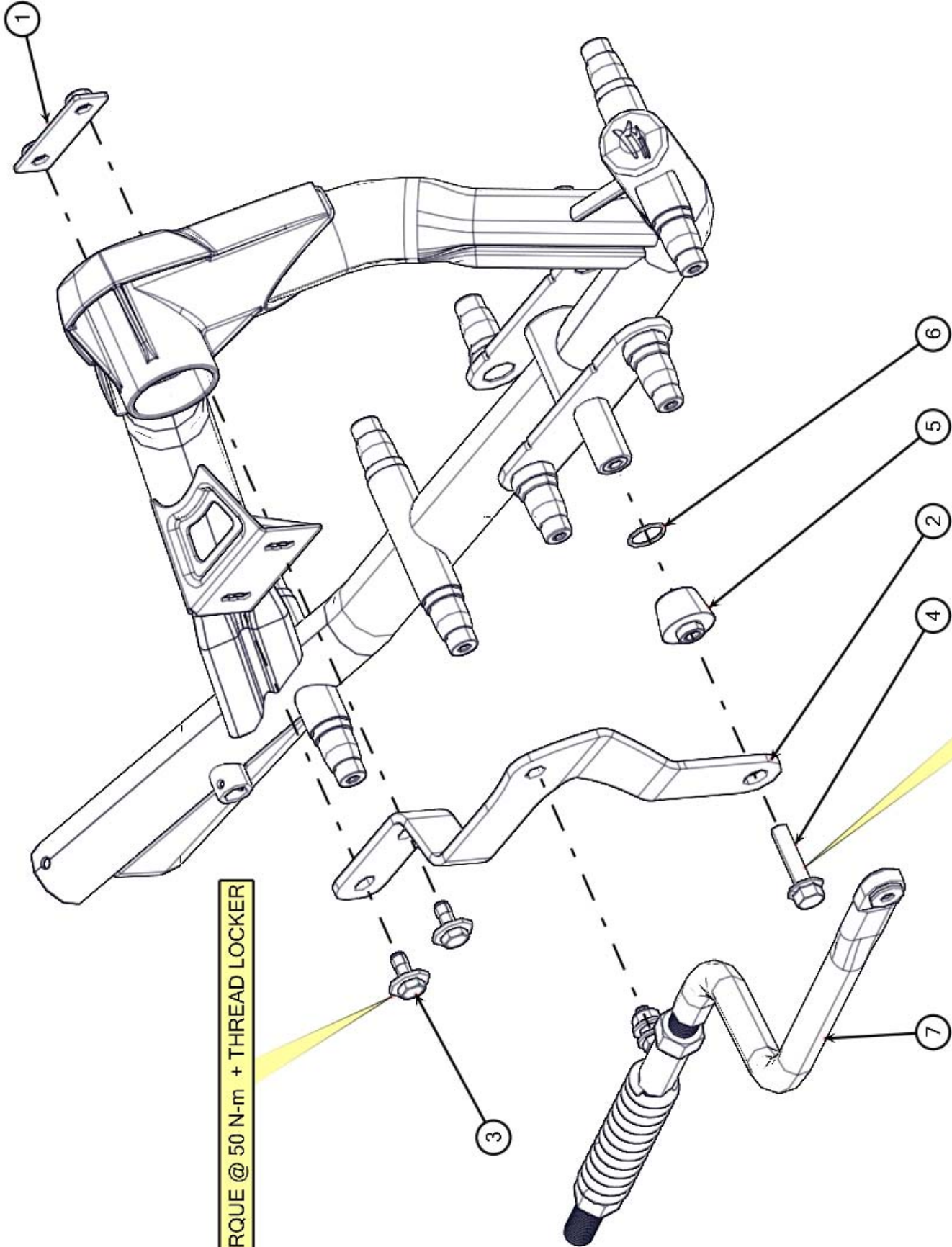
| ITEM # | PART # | DESCRIPTION | QTY |
|--------|--------------|--|-----|
| | | TATOU UTV T4S MY2012 FRONT LEFT & RIGHT | |
| 1 | 1001-00-7005 | STABILIZING ROD ASS'Y - 370 LBS/IN | |
| 2 | 1009-00-7115 | INJ SPROCKET, 15 TEETH | 1 |
| 3 | 1009-00-7116 | INJ SPROCKET, 16 TEETH | 1 |
| 4 | 1009-00-7117 | INJ SPROCKET, 17 TEETH | 1 |
| 5 | 1009-00-7118 | INJ SPROCKET, 18 TEETH | 1 |
| 6 | 1009-08-7116 | SPROCKET, 16 TEETH, 5 BOLTS PATTERN | 1 |
| 7 | 1009-08-7117 | SPROCKET, 17 TEETH, 5 BOLTS PATTERN | 1 |
| 8 | 1009-08-7118 | SPROCKET, 18 TEETH, 5 BOLTS PATTERN | 1 |
| 9-A | 1010-00-8022 | RH FRONT FRAME - TATOU UTV 4S | 1 |
| 9-B | 1011-00-8022 | LH FRONT FRAME - TATOU UTV 4S | 1 |
| 10 | 1014-00-8022 | TENSIONNER - TATOU UTV4S | 1 |
| 11 | 1015-00-8000 | WIDE WHEEL STABILIZER, SHORT | 1 |
| 12 | 1015-00-8001 | WIDE WHEEL STABILIZER, LONG | 1 |
| 13 | 1015-00-8010 | STABILIZER, SHORT, WHEELS ASS'Y | 1 |
| 14 | 1082-00-7140 | STABILIZER LONG COMPLET KIT | 1 |
| 15 | 1016-00-4132 | 132mm x 50mm WHEEL ASS'Y | 6 |
| 16 | 1017-00-0001 | 2 LIPS CAP, 1-3/4" O.D. TUBE | 2 |
| 17 | 1017-00-0010 | 2 LIPS CAP, 2" O.D. TUBE (LDPE) | 1 |
| 18 | 1017-00-0011 | DUST CAP, STABILIZER | 1 |
| 19 | 1017-00-0110 | 2 LIPS CAP, 2" O.D. TUBE (ESPRENE) | 10 |
| 20 | 1017-00-7081 | HUB CAP BLUE ASS'Y | 1 |
| 21 | 1019-08-0002 | 5 BOLTS PATERN HUB ASS'Y | 1 |
| 22 | 1019-05-0010 | POLARIS HUB, ASS'Y | 1 |
| 23 | 1019-77-0031 | UTV MULTI-MODEL HUB, ASS'Y | 1 |
| 24 | 1024-00-1255 | WHEEL (4.10/3.50-6) ASSY | 4 |
| 25 | 1033-08-0060 | HEX SCR - ISO 4014, 8.8, ZP / M8x1.25x60 | 1 |
| 26 | 1033-10-2026 | HEX SCR W/WASH - 30x3, 8.8, ZP, TL 9S-1026 / M10x1.5x25 | 10 |
| 27 | 1036-10-4030 | SERRATED HEX SCR - DIN 6921, 10.9, ZP, TL 9S-1026 / M10x1.5x30 | 4 |
| 28 | 1036-12-4030 | HEX FLG SCR - DIN 6921, 10.9, ZP, TL 9S-1026 / M12x1.75x30 | 1 |
| 29 | 1033-12-9025 | HEX SCR W/ WASH - 25x3, 10.9, YP, TL 9S-1026 / M12x1.75x25 | 1 |
| 30 | 1037-00-0001 | T-RAP - 8" LG. | 1 |
| 31 | 1042-00-0001 | COTTER PIN - ISO 1234 ZP, 1/8" x 1-3/4" | 1 |
| 32 | 1049-00-0007 | WAFER SQ DR DRILL SCR - Z P, #12-24 x 1.5" | 7 |
| 33 | 1050-00-0011 | BUSHING - 5/8" O.D. x 27/32" I.D. x 18" LG | 4 |
| 34 | 1051-00-0015 | TENSIONNER BUSHING | 1 |
| 35 | 1051-00-0037 | INTERNAL SPACER | 1 |
| 36 | 1061-00-0025 | WASHER SPINDLE HUB - ID. 0.52 X OD. 1.63 X 0.109 THK. | 1 |
| 37 | 1074-08-0001 | HEX FL NY NUT - ISO 4161, 8.8, ZP / M8x1.25 | 1 |
| 38 | 1082-00-7050 | TENSIONNER ROD ASS'Y | 1 |
| 39 | 1083-00-8002 | STICKER - WARNING | 1 |
| 40 | - | STICKER - SERIAL NUMBER - TATOU UTV T4S | 1 |
| 41-A | 1083-00-8100 | STICKER - FRONT LEFT PICTOGRAM | 1 |
| 41-B | 1083-00-8110 | STICKER - FRONT RIGHT PICTOGRAM | 1 |
| 42 | 1083-00-8450 | STICKER - TATOU UTV T4S MY2012 | 1 |
| 43 | 1085-00-8000 | TRACK GUIDE FRONT - TATOU UTV T4S | 1 |
| 44 | 1090-00-0001 | BALL BEARING, SEALED - 6007 DU2 | 2 |
| 45 | 1093-00-7000 | RUBBER CONE, STABILIZER | 2 |
| 46 | 1093-00-7002 | SHAFT SEAL - 50 x 62 x 10 TC | 1 |
| 47 | 1093-00-8000 | TRACK - 12.5" x 98.57" x 1.000" (9131S) | 1 |
| 48 | 1093-00-7011 | SHAFT SEAL - 28 x 48 x 6 TC | 12 |
| A | 1000-00-7002 | THREADED ROD, STABILIZING ROD | 1 |
| B | 1033-10-1060 | HEX SCR - ISO 4014, 10.9 ZP / M10x1.5x60 | 1 |
| C | 1047-00-7010 | ROD END, STABILIZING ROD | 1 |
| D | 1050-00-0013 | ROD END SPACER | 2 |
| E | 1060-00-0004 | WASHER - 8, ZP, 7/16IDx1ODx0,072T | 1 |
| F | 1071-20-0001 | HEX NYLON NUT - ISO 7040 8.8, ZP / M20x2.5 | 2 |
| G | 1073-12-3002 | HEX THIN NUT - 8.8, ISO 4037, ZP / M12x1.25 | 1 |
| H | 1074-10-0001 | HEX FL NY NUT - ISO 4161, 8.8, ZP / M10x1.5 | 1 |
| I | 1080-00-0004 | COMPRESSION SPRING - 370 LBS/IN | 1 |
| J | 1093-00-7007 | RUBBER DAMPER | 1 |
| K | 1033-AS-0025 | STABILIZING ROD SHORT BOLTS KIT | 1 |



| ITEM # | PART # | DESCRIPTION | QTY |
|--------|--------------|--|-----|
| | | TATOU UTV T4S MY2012 REAR LEFT & RIGHT | |
| 1 | 1009-00-7115 | INJ SPROCKET, 15 TEETH | 1 |
| 2 | 1009-00-7116 | INJ SPROCKET, 16 TEETH | 1 |
| 3 | 1009-00-7117 | INJ SPROCKET, 17 TEETH | 1 |
| 4 | 1009-00-7118 | INJ SPROCKET, 18 TEETH | 1 |
| 5 | 1009-08-7116 | SPROCKET, 16 TEETH, 5 BOLTS PATTERN | 1 |
| 6 | 1009-08-7117 | SPROCKET, 17 TEETH, 5 BOLTS PATTERN | 1 |
| 7 | 1009-08-7118 | SPROCKET, 18 TEETH, 5 BOLTS PATTERN | 1 |
| 8-A | 1012-00-8022 | RH REAR FRAME - TATOU UTV T4S | 1 |
| 8-B | 1013-00-8022 | LH REAR FRAME - TATOU UTV T4S | 1 |
| 9 | 1014-00-8022 | TENSIONNER - TATOU UTV T4S | 1 |
| 10 | 1015-00-8000 | WIDE WHEEL STABILIZER, SHORT | 1 |
| 11 | 1015-00-8001 | WIDE WHEEL STABILIZER, LONG | 1 |
| 12 | 1015-00-8010 | STABILIZER, SHORT, WHEELS ASS'Y | 1 |
| 13 | 1082-00-7140 | STABILIZER LONG COMPLET KIT | 1 |
| 14 | 1016-00-4132 | 132mm x 50mm WHEEL ASS'Y | 8 |
| 15 | 1017-00-0001 | 2 LIPS CAP, 1-3/4" O.D. TUBE | 2 |
| 16 | 1017-00-0010 | 2 LIPS CAP, 2" O.D. TUBE (LDPE) | 1 |
| 17 | 1017-00-0011 | DUST CAP, STABILIZER | 1 |
| 18 | 1017-00-0110 | 2 LIPS CAP, 2" O.D. TUBE (ESPRENE) | 12 |
| 19 | 1017-00-7081 | HUB CAP BLUE ASS'Y | 1 |
| 20 | 1019-08-0002 | 5 BOLTS PATERN HUB ASS'Y | 1 |
| 21 | 1019-05-0010 | POLARIS HUB, ASS'Y | 1 |
| 22 | 1019-77-0031 | UTV MULTI-MODEL HUB, ASS'Y | 1 |
| 23 | 1024-00-1255 | WHEEL (4.10/3.50-6) ASSY | 4 |
| 24 | 1033-08-0060 | HEX SCR - ISO 4014, 8.8, ZP / M8x1.25x60 | 1 |
| 25 | 1033-10-2026 | HEX SCR W/WASH - 30x3, 8.8, ZP, TL 9S-1026 / M10x1.5x25 | 12 |
| 26 | 1036-10-4030 | SERRATED HEX SCR - DIN 6921, 10.9, ZP, TL 9S-1026 / M10x1.5x30 | 6 |
| 27 | 1036-12-4030 | HEX FLG SCR - DIN 6921, 10.9, ZP, TL 9S-1026 / M12x1.75x30 | 1 |
| 28 | 1033-12-9025 | HEX SCR W/ WASH - 25x3, 10.9, YP, TL 9S-1026 / M12x1.75x25 | 1 |
| 29 | 1037-00-0001 | T-RAP - 8" LG. | 1 |
| 30 | 1042-00-0001 | COTTER PIN - ISO 1234 ZP, 1/8" x 1-3/4" | 1 |
| 31 | 1049-00-0007 | WAFER SQ DR DRILL SCR - Z P, #12-24 x 1.5" | 7 |
| 32 | 1050-00-0011 | BUSHING - 5/8" O.D. x 27/32" I.D. x 18" LG | 4 |
| 33 | 1051-00-0015 | TENSIONNER BUSHING | 1 |
| 34 | 1051-00-0037 | INTERNAL SPACER | 1 |
| 35 | 1061-00-0025 | WASHER SPINDLE HUB - ID. 0.52 X OD. 1.63 X 0.109 THK. | 1 |
| 36 | 1074-08-0001 | HEX FL NY NUT - ISO 4161, 8.8, ZP / M8x1.25 | 1 |
| 37 | 1082-00-7050 | TENSIONNER ROD ASS'Y | 1 |
| 38 | 1083-00-8002 | STICKER - WARNING | 1 |
| 39 | - | STICKER - SERIAL NUMBER - TATOU UTV T4S | 1 |
| 40-A | 1083-00-8120 | STICKER - REAR LEFT PICTOGRAM | 1 |
| 40-B | 1083-00-8130 | STICKER - REAR RIGHT PICTOGRAM | 1 |
| 41 | 1083-00-8450 | STICKER - TATOU UTV T4S MY2012 | 1 |
| 42 | 1085-00-8001 | TRACK GUIDE REAR - TATOU UTV T4S | 1 |
| 43 | 1090-00-0001 | BALL BEARING, SEALED - 6007 DU2 | 2 |
| 44 | 1093-00-7000 | RUBBER CONE, STABILIZER | 2 |
| 45 | 1093-00-7002 | SHAFT SEAL - 50 x 62 x 10 TC | 1 |
| 46 | 1093-00-8001 | TRACK - 13.5" x 116.7" x 1.000" (9132S) | 1 |
| 47 | 1093-00-7011 | SHAFT SEAL - 28 x 48 x 6 TC | 12 |



| ITEM # | PART # | DESCRIPTION | QTY |
|--------|--------------|--|-----|
| | | TATOU UTV T4S MY2012 INDEPENDENT SUSPENSION (IS) | |
| 1 | 1000-00-8002 | THREADED ROD, LONG | 1 |
| 2 | 1001-00-8005 | STABILIZING ROD ASS'Y - 480 LBS/IN | 1 |
| 3 | 1015-00-8250 | UNIVERSAL BRACKET ANTI-ROT. ASSY. (IS) | 1 |
| 4 | 1015-00-7026 | BACK PLATE | 1 |
| 5 | 1033-10-1080 | HEX SCR - ISO 4014, 10.9, ZP / M10x1.5x80 | 1 |
| 6 | 1033-10-2026 | HEX SCR W/WASH - 30x3, 8.8, YZN, TL 9S-1026 / M10x1.5x25 | 2 |
| 7 | 1047-00-7010 | ROD END, STABILIZING ROD | 1 |
| 8 | 1050-00-0013 | ROD END SPACER | 1 |
| 9 | 1050-06-0758 | SPACER, ANTIROTATION | 1 |
| 10 | 1060-00-0004 | WASHER - 8, ZP, 7/16IDx1ODx0,072T | 1 |
| 11 | 1071-20-0001 | HEX NYLON NUT, ISO 7040 8.8, ZP / M20x2.5 | 2 |
| 12 | 1073-12-3002 | HEX THIN NUT - 8.8, ISO 4037, ZP / M12x1.25 | 1 |
| 13 | 1074-10-0001 | HEX FL NY NUT - ISO 4161, 8.8, ZP / M10x1.5 | 1 |
| 14 | 1080-00-0901 | COMPRESSION SPRING - 480 LBS/IN | 1 |
| 15 | 1093-00-7007 | RUBBER DAMPER | 1 |
| 16 | 1033-AS-0075 | STABILIZING ROD LONG BOLTS KIT | 1 |
| | | 2012-04-26 / rev C | |



TORQUE @ 50 N-m + THREAD LOCKER

TORQUE @ 125 N-m + THREAD LOCKER

| ITEM # | PART # | DESCRIPTION | QTY |
|--------|--------------|--|-----|
| | | TATOU UTV T4S MY2012 RIGID SUSPENSION (RS) | |
| 1 | 1015-00-7026 | BACK PLATE | 1 |
| 2-A | 1015-00-8004 | LH, BRACKET ANTI-ROTATION UTV (RS) | 1 |
| 2-B | 1015-00-8014 | RH, BRACKET ANTI-ROTATION UTV (RS) | 1 |
| 3 | 1033-10-2026 | HEX SCR W/WASH - 30x3, 8.8, YZN, TL 9S-1026 / M10x1.5x25 | 2 |
| 4 | 1035-12-1050 | HEX SCR FLANGE - , ISO 8102, 10.9, ZP / M12-1.75x50 | 1 |
| 5 | 1050-00-8000 | BUSHING, ANTI-ROTATION UTV (RS) | 1 |
| 6 | 1093-00-0020 | O-RING - 26 x 29 x 1.5 | 1 |
| 7 | VAR | REFER TO INSTALLATION GUIDE LINES DOCUMENTATION | 1 |
| | | 2012-04-26 / rev C | |