

Parts list

2011 - VERSION A

UTV TATOU®UTV4S Track System

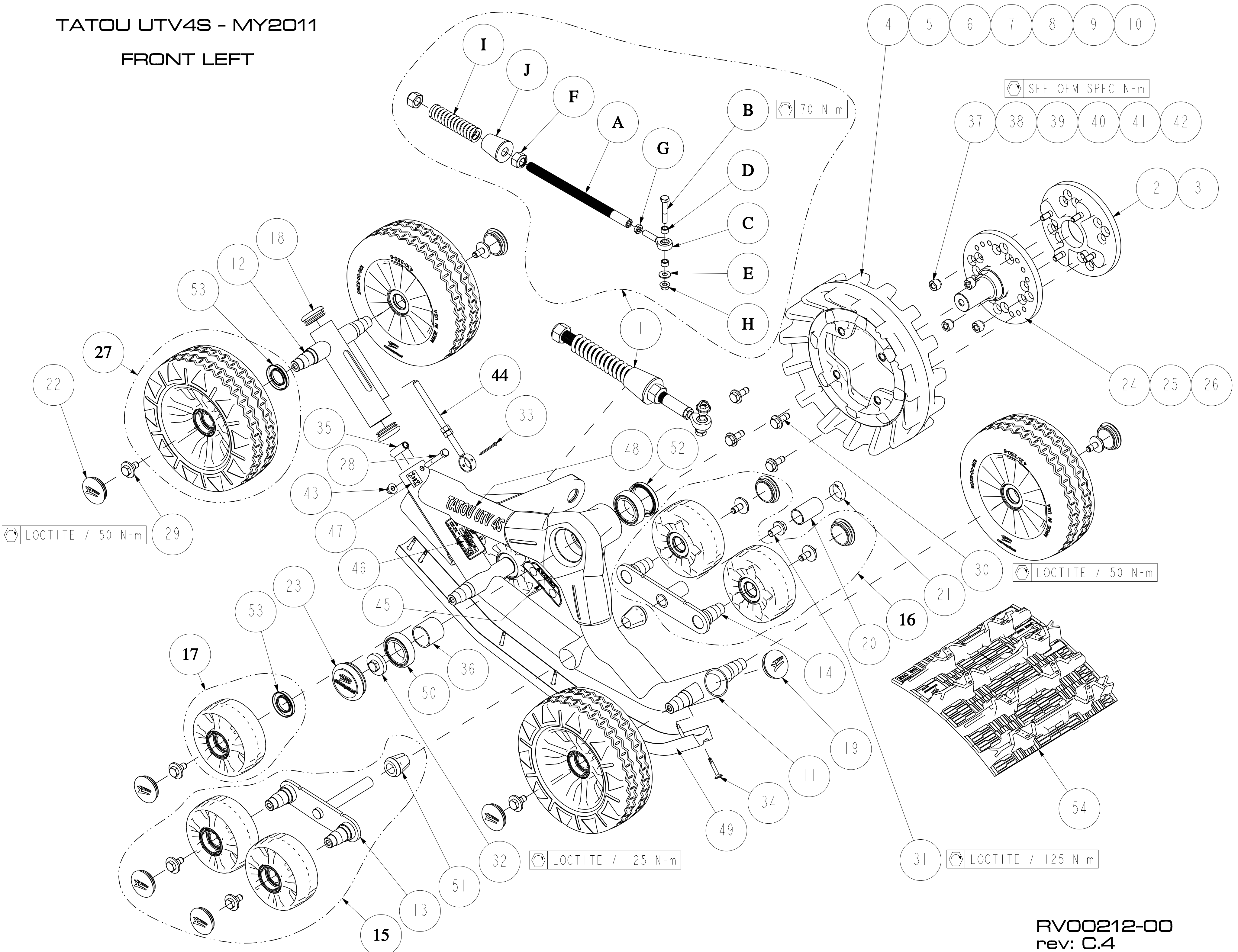
Other languages translation available at www.camoplast.com



 **camoplast**

TATOU UTV4S - MY2011

FRONT LEFT

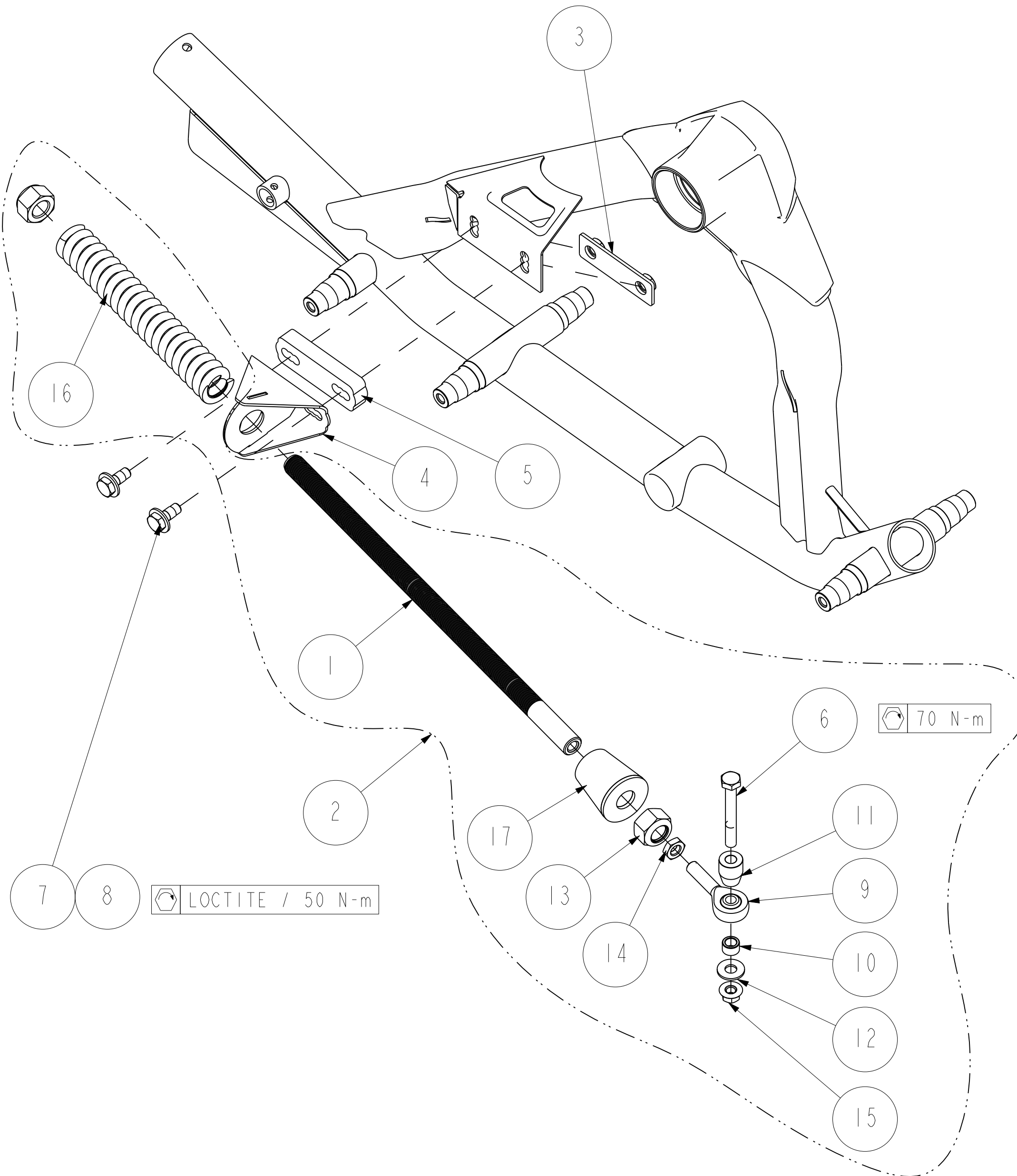


Item #	Part #	Description	QTY
		TATOU UTV4S - MY2011 FRONT LEFT & RIGHT	
1	1001-00-7005	STABILIZING ROD ASS'Y, 370 LBS/IN	1
2	1008-77-0010	MULTI HUB SPACER 1-1/8" ASS'Y (METRIC)	1
3	1008-77-0020	MULTI HUB SPACER 2" ASS'Y (METRIC)	1
4	1009-00-7115	INJ SPROCKET, 15 TEETH	1
5	1009-00-7116	INJ SPROCKET, 16 TEETH	1
6	1009-00-7117	INJ SPROCKET, 17 TEETH	1
7	1009-00-7118	INJ SPROCKET, 18 TEETH	1
8	1009-08-7116	SPROCKET, 16 TEETH, 5 BOLTS PATTERN	1
9	1009-08-7117	SPROCKET, 17 TEETH, 5 BOLTS PATTERN	1
10	1009-08-7118	SPROCKET, 18 TEETH, 5 BOLTS PATTERN	1
11-A	1010-00-802X	RH FRONT FRAME - TATOU UTV 4S	1
11-B	1011-00-802X	LH FRONT FRAME - TATOU UTV 4S	1
12	1014-00-802X	TENSIONNER - TATOU UTV 4S	1
13	1015-00-8000	WIDE WHEEL STABILIZER, SHORT	1
14	1015-00-8001	WIDE WHEEL STABILIZER, LONG	1
15	1015-00-8010	WIDE WHEEL STABILIZER, SHORT / WHEELS ASS'Y	1
16	1015-00-8021	WIDE WHEEL STABILIZER, LONG / WHEELS ASS'Y	1
17	1016-00-4132	132mm x 50mm WHEEL ASS'Y	6
18	1017-00-0001	2 LIPS CAP, 1-3/4" O.D. TUBE	2
19	1017-00-0010	2 LIPS CAP, 2" O.D. TUBE (LDPE)	1
20	1017-00-0011	DUST CAP, STABILIZER	1
21	1017-00-0030	RETAINER, DUST CAP	1
22	1017-00-0110	2 LIPS CAP, 2" O.D. TUBE (ESPRENE)	10
23	1017-00-7011	HUB CAP (HOT STAMPED) ASS'Y	1
24	1019-05-0010	POLARIS HUB (METRIC), ASS'Y	1
25	1019-08-0002	5 BOLTS PATERN HUB ASS'Y (METRIC)	1
26	1019-77-0031	UTV MULTI-MODEL HUB (METRIC) ASS'Y	1
27	1024-00-1255	WHEEL (4.10/3.50-6) ASSY	4
28	1033-08-0060	HEX SCR ,DIN 931, 8.8, YZN / M8x1.25x60	1
29	1033-10-2026	HEX SCR W/WASH 30x3, 8.8, YZN, TL 9S-1026 / M10x1.5x25	10
30	1033-10-2030	HEX SCR W/WASH 25x2, 8.8, YZN, TL 9S-1026 / M10x1.5x30	4
31	1033-12-7025	HEX SCR W/ WASH 25x3, 10.9, YZN / M12x1.75x25	1
32	1033-12-7030	HEX SCR W/ WASH 40x7, 10.9, YZN / M12x1.75x30	1
33	1042-00-0001	COTTER PIN, 1/8" x 1-3/4'	1
34	1049-00-0007	SELF TAPPING SCREW, YZN / #12-24x1.5"	7
35	1051-00-0015	TENSIONNER BUSHING	1
36	1051-00-0037	INTERNAL SPACER	1
37	1071-00-0001	HEX NUT M10-1.25 TAPER, 8, YZN	VAR
38	1071-00-0006	HEX NUT M12-1.25 TAPER, 8, YZN	VAR
39	1071-00-0009	HEX NUT M12-1.5 TAPER, 8, YZN	VAR
40	1071-00-0012	HEX NUT M12-1.25 TAPER, 8, YZN	VAR
41	1072-00-0002	FLANGE LOCKNUT 3/8-24	VAR
42	1072-10-3001	HEX FLANGE SERRATED NUT, 8, YZN / M10x1.25	VAR
43	1074-08-0001	HEX FLANGE NYLON INSERT, 8, YZN / M8x1.25	1
44	1082-00-7050	TENSIONNER ROD / HEX NUT ASS'Y	1
45	1083-00-8002	STICKER - WARNING	1
46	-	STICKER - SERIAL NUMBER TATOU UTV 4S	1
47-A	1083-00-8100	STICKER - FRONT LEFT PICTOGRAM	1
47-B	1083-00-8110	STICKER - FRONT RIGHT PICTOGRAM	1
48	1083-00-8200	STICKER - TATOU 4S DECAL	1
49	1085-00-8000	TRACK GUIDE FRONT- TATOU UTV4S	1
50	1090-00-0001	6007 DU2 BALL BEARING, SEALED	2
51	1093-00-7000	RUBBER CONE, STABILIZER	2
52	1093-00-7002	SHAFT SEAL 50 x 62 x 10 TC	1
53	-	SHAFT SEAL 28 x 48 x 6 TC	10
54	1093-00-8000	TRACK 12.5" x 98.57" x 1.000" (9131S)	1
A	1000-00-7002	THREADED ROD, STABILIZING ROD	1
B	1033-10-1060	HEX SCR , ISO 4014 (DIN 931), 10.9, YZN / M10x1.5x60	1
C	1047-00-7010	ROD END, STABILIZING ROD	1
D	1050-00-0013	ROD END SPACER	2
E	1060-00-0004	WASHER 3/8" GRADE 8 YELLOW ZINC PLATED	1
F	1071-20-0001	HEX NYLON INSERT, ISO 7040 (DIN 982), 8, YZN / M20x2.5	2
G	1073-12-3002	HEX THIN NUT, ISO 4035 (DIN 439), 8, YZN / M12x1.25	1
H	1074-10-0001	HEX FLANGE NYLON INSERT, ISO 4161 (DIN 6923),8, YZN / M10x1.5	1
I	1080-00-0004	370 LBS/IN COMPRESSION SPRING	1
J	1093-00-7007	RUBBER DAMPER	1

Item #	Part #	Description	QTY
		TATOU UTV4S - MY2011	
		REAR LEFT & RIGHT	
1	1008-77-0010	MULTI HUB SPACER 1-1/8" ASS'Y (METRIC)	1
2	1008-77-0020	MULTI HUB SPACER 2" ASS'Y (METRIC)	1
3	1008-77-0040	MULTI HUB SPACER 4" ASS'Y (METRIC)	1
4	1009-00-7115	INJ SPROCKET, 15 TEETH	1
5	1009-00-7116	INJ SPROCKET, 16 TEETH	1
6	1009-00-7117	INJ SPROCKET, 17 TEETH	1
7	1009-00-7118	INJ SPROCKET, 18 TEETH	1
8	1009-08-7116	SPROCKET, 16 TEETH, 5 BOLTS PATTERN	1
9	1009-08-7117	SPROCKET, 17 TEETH, 5 BOLTS PATTERN	1
10	1009-08-7118	SPROCKET, 18 TEETH, 5 BOLTS PATTERN	1
11-A	1012-00-802X	RH REAR FRAME - TATOU UTV 4S	1
11-B	1013-00-802X	LH REAR FRAME - TATOU UTV 4S	1
12	1014-00-802X	TENSIONNER - TATOU UTV 4S	1
13	1015-00-8000	WIDE WHEEL STABILIZER, SHORT	1
14	1015-00-8001	WIDE WHEEL STABILIZER, LONG	1
15	1015-00-8010	WIDE WHEEL STABILIZER, SHORT / WHEELS ASS'Y	1
16	1015-00-8021	WIDE WHEEL STABILIZER, LONG / WHEELS ASS'Y	1
17	1016-00-4132	132mm x 50mm WHEEL ASS'Y	8
18	1017-00-0001	2 LIPS CAP, 1-3/4" O.D. TUBE	2
19	1017-00-0010	2 LIPS CAP, 2" O.D. TUBE (LDPE)	1
20	1017-00-0011	DUST CAP, STABILIZER	1
21	1017-00-0030	RETAINER, DUST CAP	1
22	1017-00-0110	2 LIPS CAP, 2" O.D. TUBE (ESPRENE)	12
23	1017-00-7011	HUB CAP (HOT STAMPED) ASS'Y	1
24	1019-05-0010	POLARIS HUB (METRIC), ASS'Y	1
25	1019-08-0002	5 BOLTS PATERN HUB ASS'Y (METRIC)	1
26	1019-77-0031	UTV MULTI-MODEL HUB (METRIC) ASS'Y	1
27	1024-00-1255	WHEEL (4.10/3.50-6) ASSY	4
28	1033-08-0060	HEX SCR ,DIN 931, 8.8, YZN / M8x1.25x60	1
29	1033-10-2026	HEX SCR W/WASH 30x3, 8.8, YZN, TL 9S-1026 / M10x1.5x25	12
30	1033-10-2030	HEX SCR W/WASH 25x2, 8.8, YZN, TL 9S-1026 / M10x1.5x30	4
31	1033-12-7025	HEX SCR W/ WASH 25x3, 10.9, YZN / M12x1.75x25	1
32	1033-12-7030	HEX SCR W/ WASH 40x7, 10.9, YZN / M12x1.75x30	1
33	1042-00-0001	COTTER PIN, 1/8" x 1-3/4"	1
34	1049-00-0007	SELF TAPPING SCREW, YZN / #12-24x1.5"	7
35	1051-00-0015	TENSIONNER BUSHING	1
36	1051-00-0037	INTERNAL SPACER	1
37	1071-00-0001	HEX NUT M10-1.25 TAPER, 8, YZN	VAR
38	1071-00-0006	HEX NUT M12-1.25 TAPER, 8, YZN	VAR
39	1071-00-0009	HEX NUT M12-1.5 TAPER, 8, YZN	VAR
40	1071-00-0012	HEX NUT M12-1.25 TAPER, 8, YZN	VAR
41	1072-00-0002	FLANGE LOCKNUT 3/8-24	VAR
42	1072-10-3001	HEX FLANGE SERRATED NUT, 8, YZN / M10x1.25	VAR
43	1074-08-0001	HEX FLANGE NYLON INSERT, 8, YZN / M8x1.25	1
44	1082-00-7050	TENSIONNER ROD / HEX NUT ASS'Y	1
45	1083-00-8002	STICKER - WARNING	1
46	-	STICKER - SERIAL NUMBER TATOU UTV 4S	1
47-A	1083-00-8120	STICKER - REAR LEFT PICTOGRAM	1
47-B	1083-00-8130	STICKER - REAR RIGHT PICTOGRAM	1
48	1083-00-8200	STICKER - TATOU 4S DECAL	1
49	1085-00-8001	TRACK GUIDE REAR - TATOU UTV 4S	1
50	1090-00-0001	6007 DU2 BALL BEARING, SEALED	2
51	1093-00-7000	RUBBER CONE, STABILIZER	2
52	1093-00-7002	SHAFT SEAL 50 x 62 x 10 TC	1
53	-	SHAFT SEAL 28 x 48 x 6 TC	12
54	1093-00-8001	TRACK 13.5" x 116.7" x 1.000" (9132S)	1

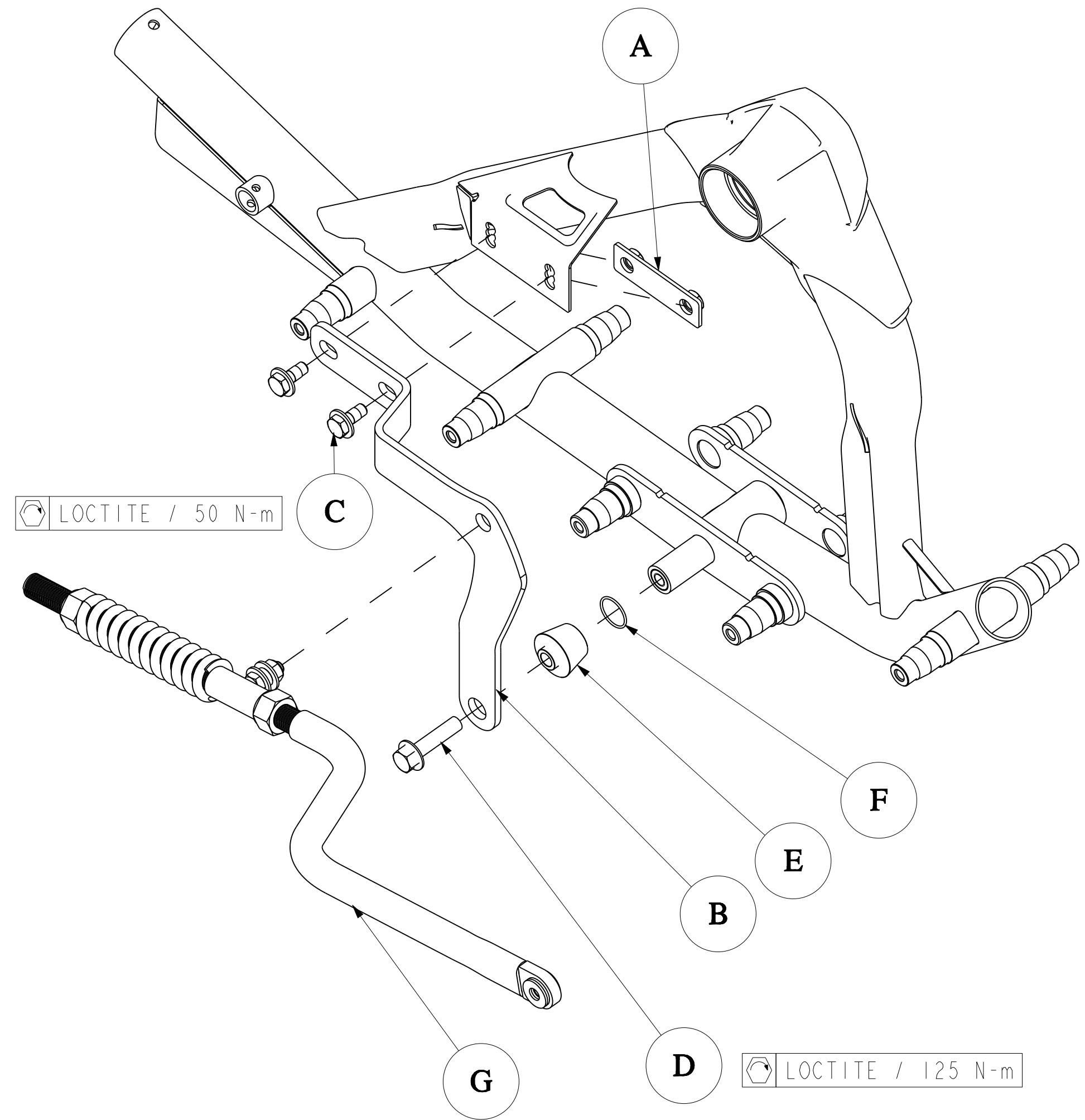
TATOU UTV4S - MY2011

INDEPENDENT SUSPENSION [IS] OPTION



TATOU UTV4S - MY2011

RIGID AXLE SUSPENSION [RS] OPTION



Item #	Part #	Description	QTY
		TATOU UTV4S - MY2011 INDEPENDENT SUSPENSION (IS) OPTION	
1	1000-00-8002	THREADED ROD, LONG	1
2	1001-00-8005	STABILIZING ROD ASS'Y, 480 LBS/IN	1
3	1015-00-7026	BACK PLATE	1
4	1015-00-8005	BRACKET ANTI-ROT, UTV (IS)	1
5	1015-05-7005	SPACER 5/8", ANTI-ROTATION BRACKET	VAR
6	1033-10-1080	HEX SCR , ISO 4014 (DIN 931), 10.9, YZN / M10x1.5x80	1
7	1033-10-2025	HEX SCR W/WASH 25x2, 8.8, YZN, TL 9S-1026 / M10x1.5x25	2
8	1033-10-2045	HEX SCR W/WASH 25x2, 8.8, YZN, TL 9S-1026 / M10x1.5x45	2
9	1047-00-7010	ROD END, STABILIZING ROD	1
10	1050-00-0013	ROD END SPACER	1
11	1050-06-0758	SPACER, ANTIROTATION	1
12	1060-00-0004	WASHER 3/8" GRADE 8 YELLOW ZINC PLATED	1
13	1071-20-0001	HEX NYLON INSERT, ISO 7040 (DIN 982), 8, YZN / M20x2.5	2
14	1073-12-3002	HEX THIN NUT, ISO 4035 (DIN 439), 8, YZN / M12x1.25	1
15	1074-10-0001	HEX FLANGE NYLON INSERT, ISO 4161 (DIN 6923), 8, YZN / M10x1.5	1
16	1080-00-0901	480 LBS/IN COMP. SPRING, LONG	1
17	1093-00-7007	RUBBER DAMPER	1
		2010-06-17 / rev C	
		TATOU UTV4S - MY2011 RIGID AXLE SUSPENSION (RS) OPTION	
A	1015-00-7026	BACK PLATE	1
B-1	1015-00-8004	LH, BRACKET ANTI-ROT. UTV (RS)	1
B-2	1015-00-8014	RH, BRACKET ANTI-ROT. UTV (RS)	1
C	1033-10-2025	HEX SCR W/WASH 25x2, 8.8, YZN, TL 9S-1026 / M10x1.5x25	2
D	1035-12-1050	HEX SCR FLANGE, ISO 8102, 10.9, YZN / M12x1.75x50	1
E	1050-00-8000	BUSHING, ANTI-ROTATION UTV (RS)	1
F	1093-00-0020	O-RING, 26 x 29 x 1.5	1
G	VAR	REFER TO INSTALLATION GUIDE LINES DOCUMENTATION	1
		2010-06-17 / rev C	