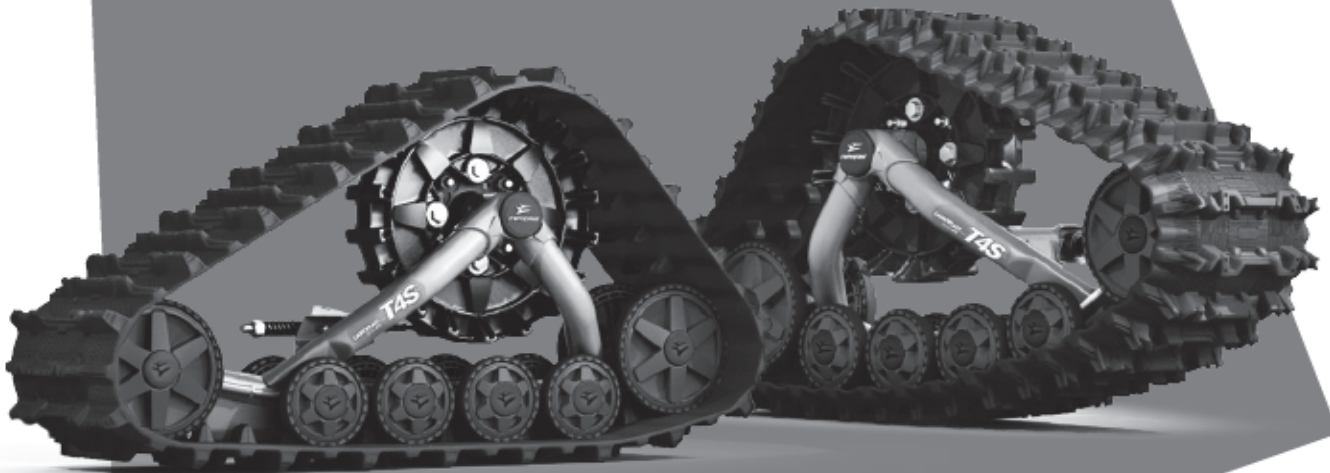


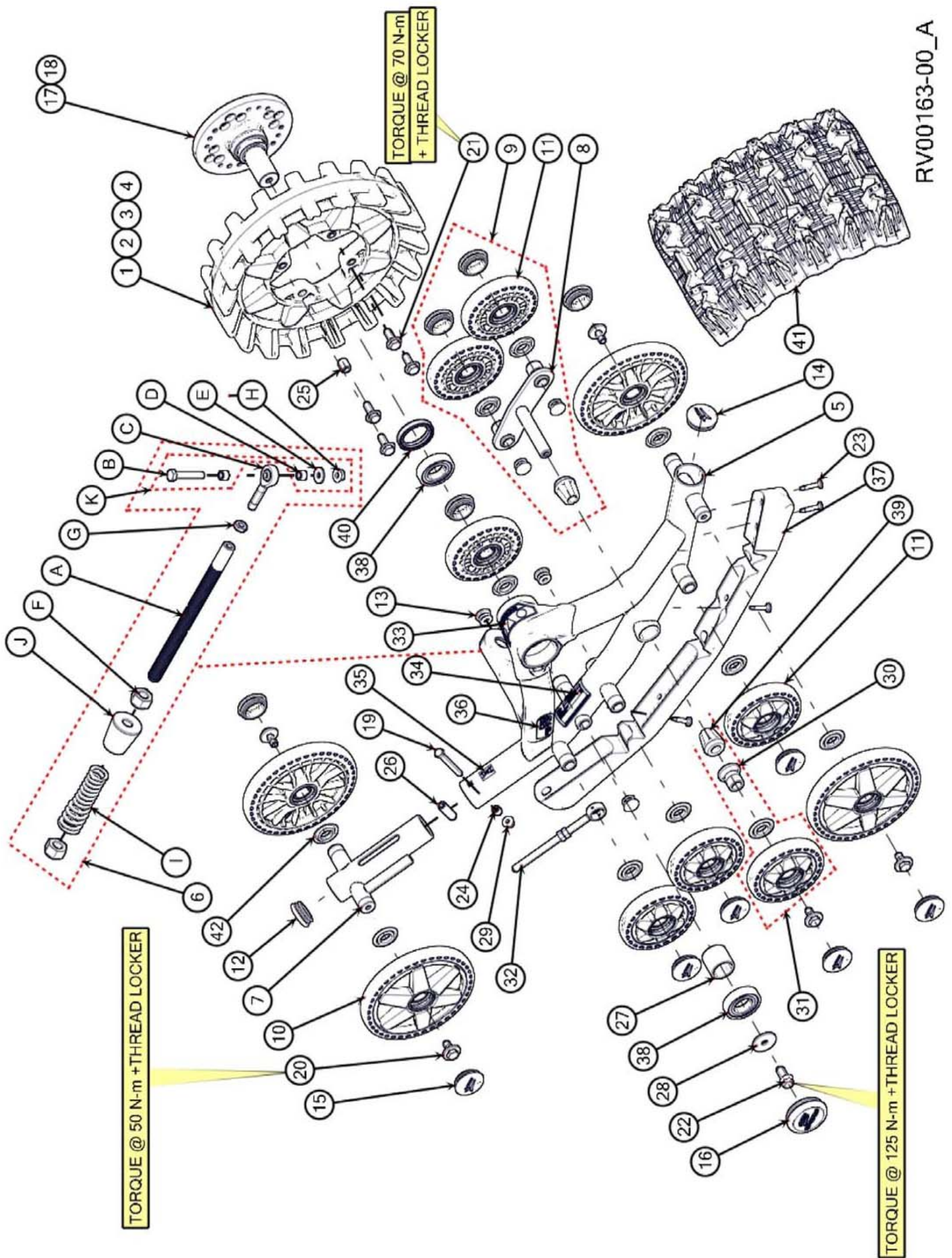
2012

PARTS LIST

CAMOPLAST
TATOU ATV **T4S**



camoplast
HI-PERFORMANCE TRACKS



ITEM #	PART #	DESCRIPTION	QTY
		TATOU ATV T4S MY2012 FRONT LEFT & RIGHT	
1	1009-00-7115	INJ SPROCKET, 15 TEETH	1
2	1009-00-7116	INJ SPROCKET, 16 TEETH	1
3	1009-00-7117	INJ SPROCKET, 17 TEETH	1
4	1009-00-7118	INJ SPROCKET, 18 TEETH	1
5-A	1010-00-7222	RH FRONT FRAME - TATOU ATV T4S	1
5-B	1011-00-7222	LH FRONT FRAME - TATOU ATV T4S	1
6	1001-00-7102	STABILIZING ROD ASS'Y, 200 LBS/IN	1
7	1014-00-7222	TENSIONNER - TATOU ATV 4S	1
8	1015-00-7010	STABILIZER ASS'Y	1
9	1015-00-7103	STABILIZER W/ WHEELS ASS'Y	1
10	1016-00-0201	201mm INJECTION ATV WHEEL ASS'Y	4
11	1016-00-0133	133mm INJECTION ATV WHEEL ASS'Y	7
12	1017-00-0001	2 LIPS CAP, 1-3/4" O.D. TUBE	1
13	1017-00-0005	2 LIPS CAP, 1" O.D. TUBE	6
14	1017-00-0010	2 LIPS CAP, 2" O.D. TUBE (LDPE)	1
15	1017-00-0110	2 LIPS CAP, 2" O.D. TUBE (ESPRENE)	11
16	1017-00-7081	HUB CAP BLUE (HOT STAMPED) ASS'Y	1
17	1019-05-0010	POLARIS HUB, ASS'Y	1
18	1019-77-0031	MULTI-MODEL HUB (METRIC) ASS'Y	1
19	1033-08-0080	HEX SCR ISO 4014, 8.8, ZP / M8x1.25x80	1
20	1033-10-2026	HEX SCR W/WASH - 30x3, 8.8, ZP, TL 9S-1026 / M10x1.5x25	5
21	1036-10-4030	SERRATED HEX SCR - DIN 6921, 10.9, ZP, TL 9S-1026 / M10x1.5x30	4
22	1036-12-4030	HEX FLG SCR - DIN 6921, 10.9, ZP, TL 9S-1026 / M12x1.75x30	1
23	1049-00-0007	WAFER SQ DR DRILL SCR - ZP, #12-24 x 1.5"	4
24	1050-00-0016	SLIDE BUSHING	1
25	1050-00-0011	BUSHING - 5/8" O.D. x 27/32" I.D. x 18 MM LG	4
26	1051-00-0015	TENSIONNER BUSHING	1
27	1051-00-0037	INTERNAL SPACER	1
28	1061-00-0025	WASHER SPINDLE HUB - ID. 0.52 X OD. 1.63 X 0.109 THK.	1
29	1074-08-0001	HEX FL NY NUT - ISO 4161, 8.8, ZP / M8x1.25	1
30	1082-00-7001	WHEEL AXLE, STABILIZER	1
31	1082-00-7110	WHEEL AXLE COMPLET KIT	1
32	1082-00-7050	TENSIONNER ROD ASS'Y	1
33	1083-00-8002	STICKER - WARNING	1
34	-	STICKER - SERIAL NUMBER - TATOU ATV T4S	1
35-A	1083-00-8100	STICKER - FRONT LEFT PICTOGRAM	1
35-B	1083-00-8110	STICKER - FRONT RIGHT PICTOGRAM	1
36	1083-00-7375	STICKER - TATOU ATV T4S MY2012	1
37	1085-00-7010	TRACK GUIDE - TATOU T4S	1
38	1090-00-0001	BALL BEARING, SEALED - 6007 DU2	2
39	1093-00-7000	RUBBER CONE, STABILIZER	2
40	1093-00-7002	SHAFT SEAL - 50 x 62 x 10 TC	1
41	1093-00-7600	TRACK - 11.5" x 93.38" x 1.00" (9150S)	1
42	1093-00-7009	WHEEL SEAL - (25 ID X 42 OD)	11
A	1000-00-7002	THREADED ROD, STABILIZING ROD	1
B	1033-10-1060	HEX SCR / VIS HEX - ISO 4014, 10.9 ZP / M10x1.5x60	1
C	1047-00-7010	ROD END, STABILIZING ROD	1
D	1050-00-0013	ROD END SPACER	2
E	1060-00-0004	WASHER - 8, ZP, 7/16IDx1ODx0.072T	1
F	1071-20-0001	HEX NYLON NUT - ISO 7040 8.8, ZP / M20x2.5	2
G	1073-12-3002	HEX THIN NUT - 8.8, ISO 4037, ZP / M12x1.25	1
H	1074-10-0001	HEX FL NY NUT - ISO 4161, 8.8, ZP / M10x1.5	1
I	1080-00-0002	COMPRESSION SPRING - 200 LBS/IN	1
J	1093-00-7007	RUBBER DAMPER	1
K	1033-AS-0025	STABILIZING ROD SHORT BOLTS KIT	1

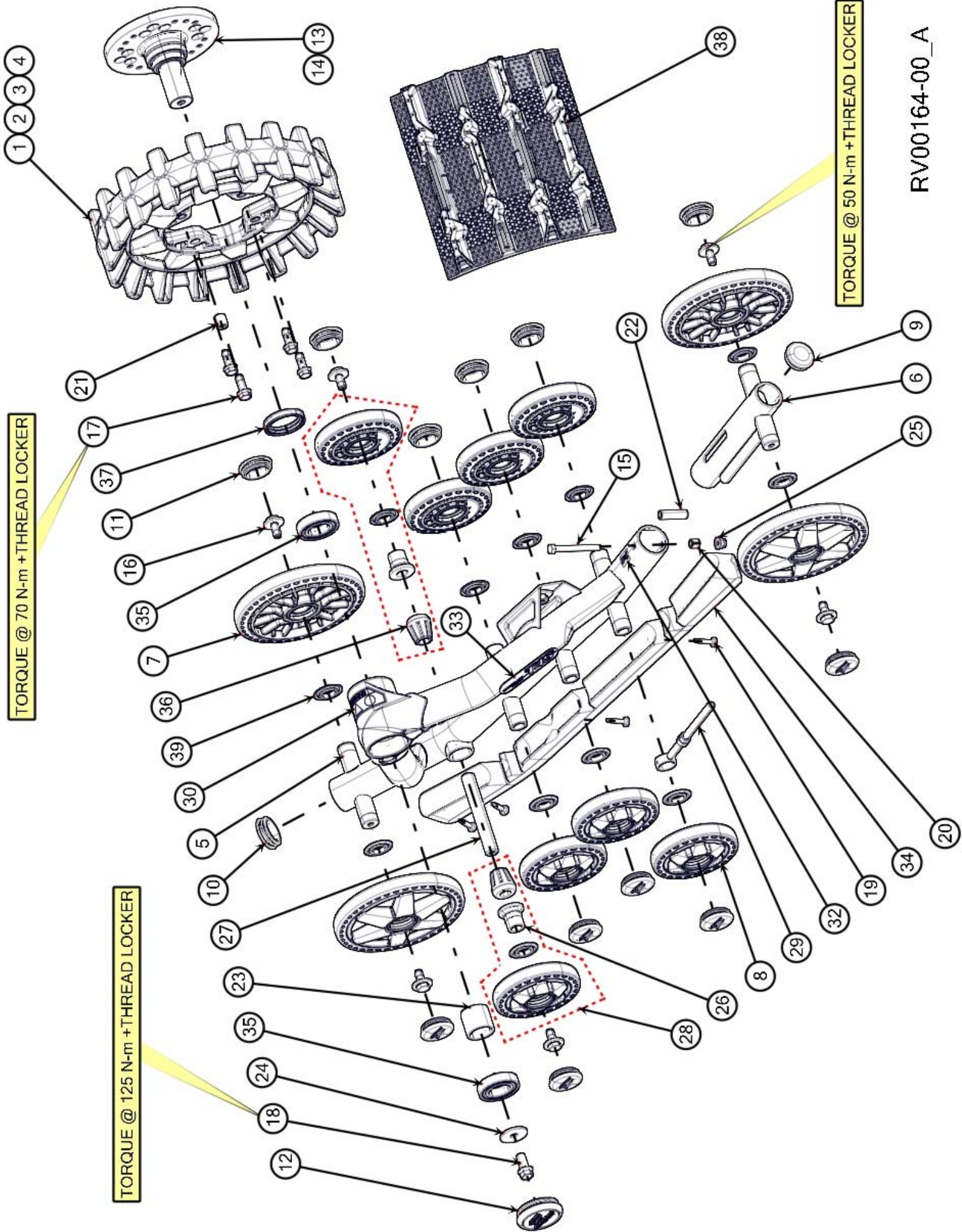
1 2 3 4

14 13

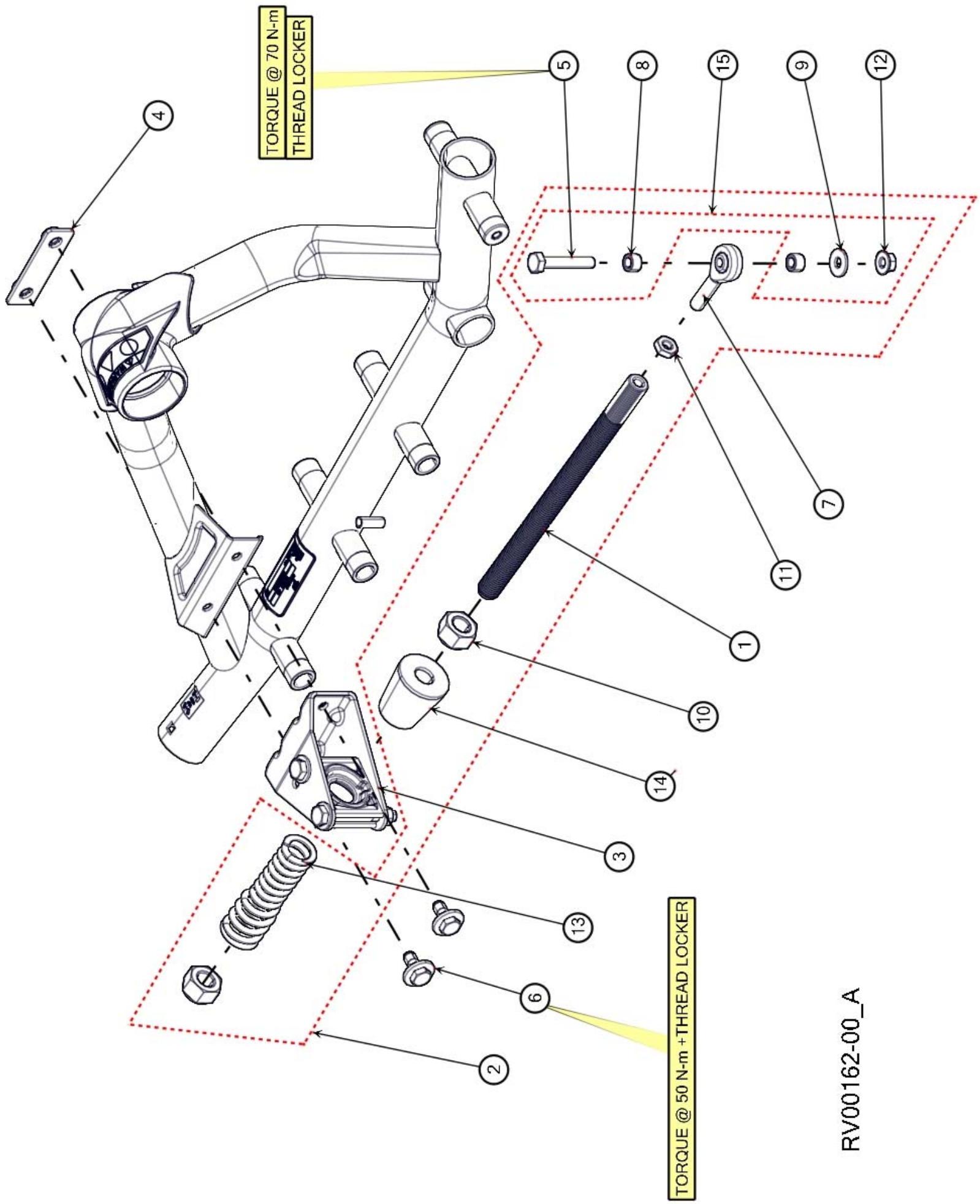
TORQUE @ 70 N·m + THREAD LOCKER

TORQUE @ 125 N·m + THREAD LOCKER

TORQUE @ 50 N·m + THREAD LOCKER



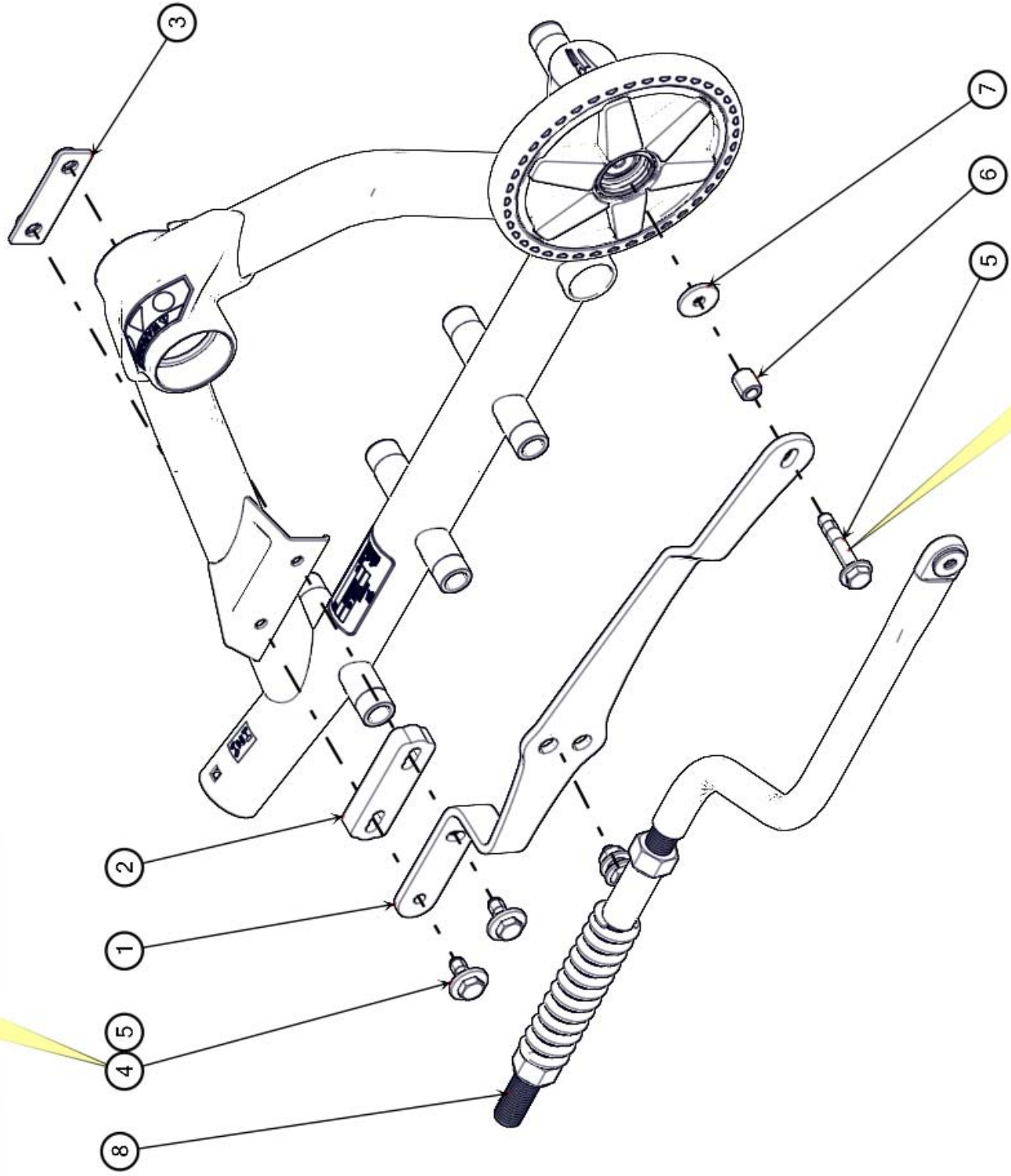
RV00164-00_A



RV00162-00_A

ITEM #	PART #	DESCRIPTION	QTY
		TATOU ATV T4S MY2012 INDEPENDENT SUSPENSION (IS)	
1	1000-00-7002	THREADED ROD, STABILIZING ROD	1
2	1001-00-7102	STABILIZING ROD ASS'Y	1
3	1015-00-8250	UNIVERSAL BRACKET ANTI-ROT. ASSY. (IS)	1
4	1015-00-7026	BACK PLATE	1
5	1033-10-1060	HEX SCR - ISO 4014, 10.9 ZP / M10x1.5x60	1
6	1033-10-2026	HEX SCR W/WASH - 30x3, 8.8, YZN, TL 9S-1026 / M10x1.5x25	2
7	1047-00-7010	ROD END, STABILIZING ROD	1
8	1050-00-0013	ROD END SPACER	2
9	1060-00-0004	WASHER - 8, ZP, 7/16IDx1ODx0.072T	3
10	1071-20-0001	HEX NYLON NUT, ISO 7040 8.8, ZP / M20x2.5	2
11	1073-12-3002	HEX THIN NUT - 8.8, ISO 4037, ZP / M12x1.25	1
12	1074-10-0001	HEX FL NY NUT - ISO 4161, 8.8, ZP / M10x1.5	3
13	1080-00-0002	COMPRESSION SPRING - 200 LBS/IN	1
14	1093-00-7007	RUBBER DAMPER	1
15	1033-AS-0025	STABILIZING ROD SHORT BOLTS KIT	1
		2012-04-25 REV A	

TORQUE @ 50 N-m +THREAD LOCKER



TORQUE @ 50 N-m +THREAD LOCKER

ITEM #	PART #	DESCRIPTION	QTY
		TATOU ATV T4S MY2012 RIGID SUSPENSION (RS)	
1-A	1015-00-7004	LH, BRACKET ANTI-ROTATION (RS)	1
1-B	1015-00-7014	RH, BRACKET ANTI-ROTATION (RS)	1
2	1015-05-7005	SPACER 5/8"	VAR
3	1015-00-7026	BACK PLATE	1
4	1033-10-2026	HEX SCR W/WASH 30x3, 8.8, YZN, TL 9S-1026 / M10x1.5x25	2
5	1033-10-2045	HEX SCR W/WASH 25x2,8.8,YZN,TL 9S-1026 /	VAR
6	1050-00-0011	BUSHING 5/8" O.D. x 27/32" I.D. x 18" LG	1
7	1060-38-0114	WASHER, 8, ZP, 13/32IDx1-1/4ODx0.120T	1
8	VAR	REFER TO INSTALLATION GUIDELINES DOCUMENTATION	1
		2014-02-05 REV B	