

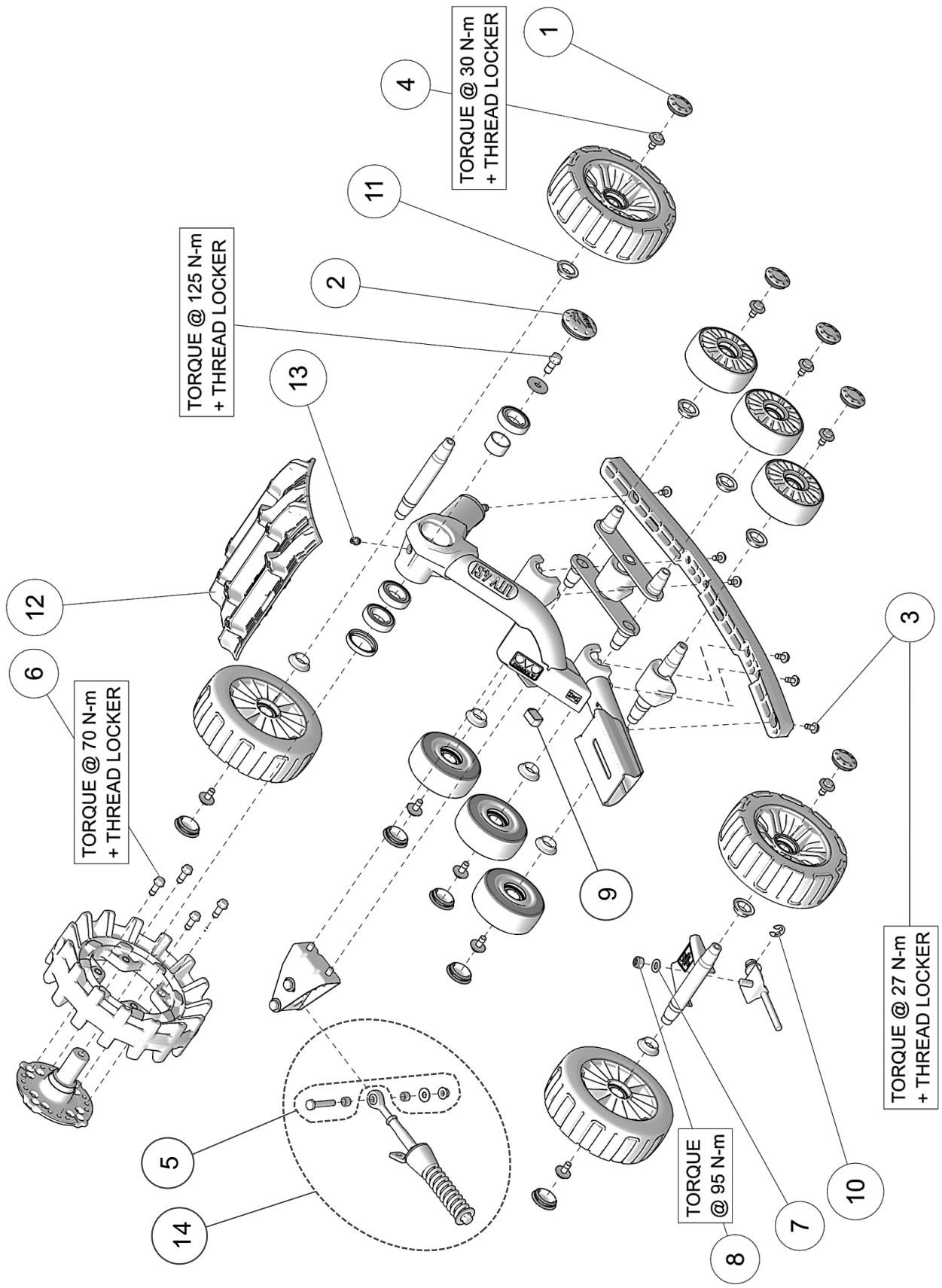
CAMSO UTV 4S1 FOR SIDE BY SIDE

VERSION C

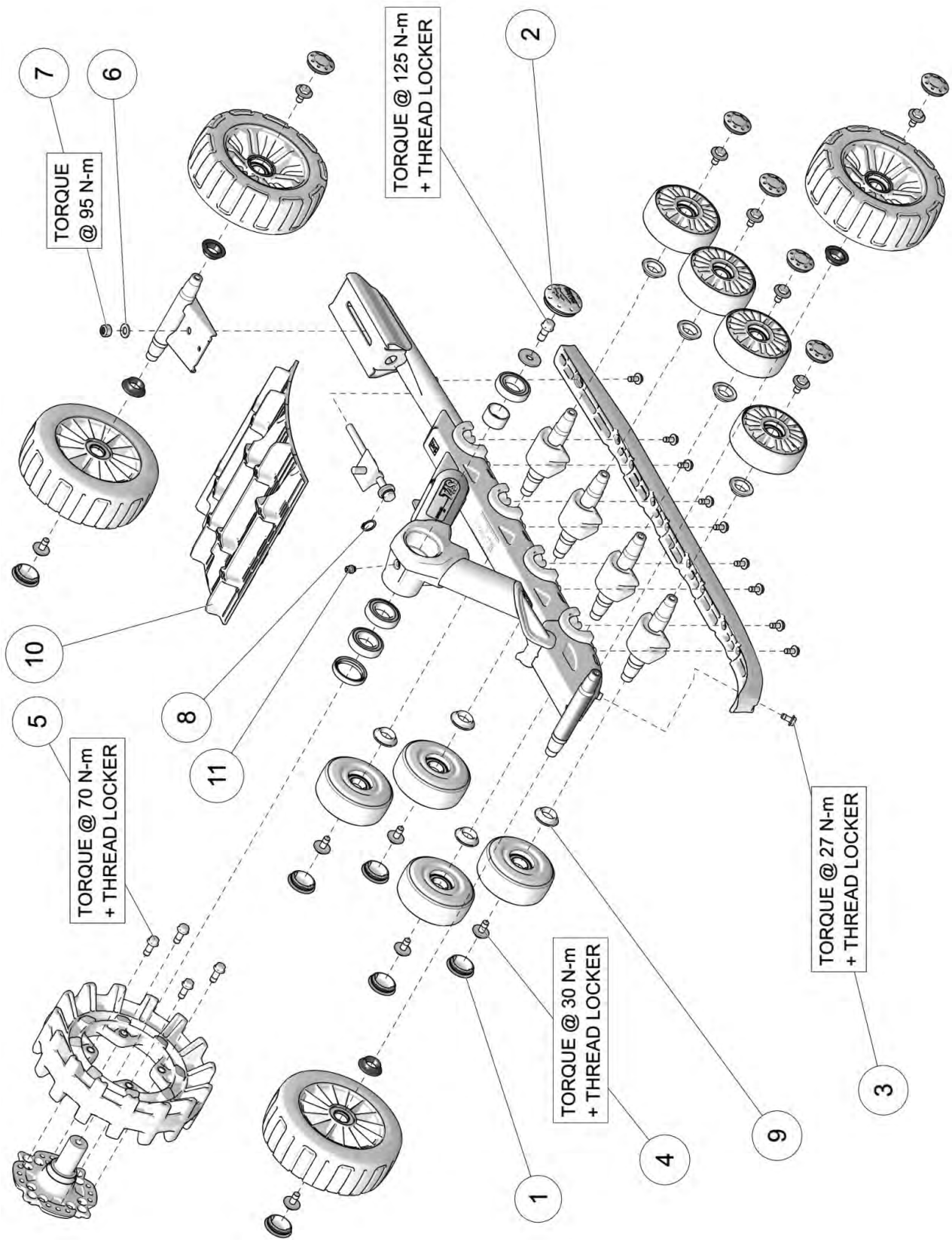
PARTS LIST 2017



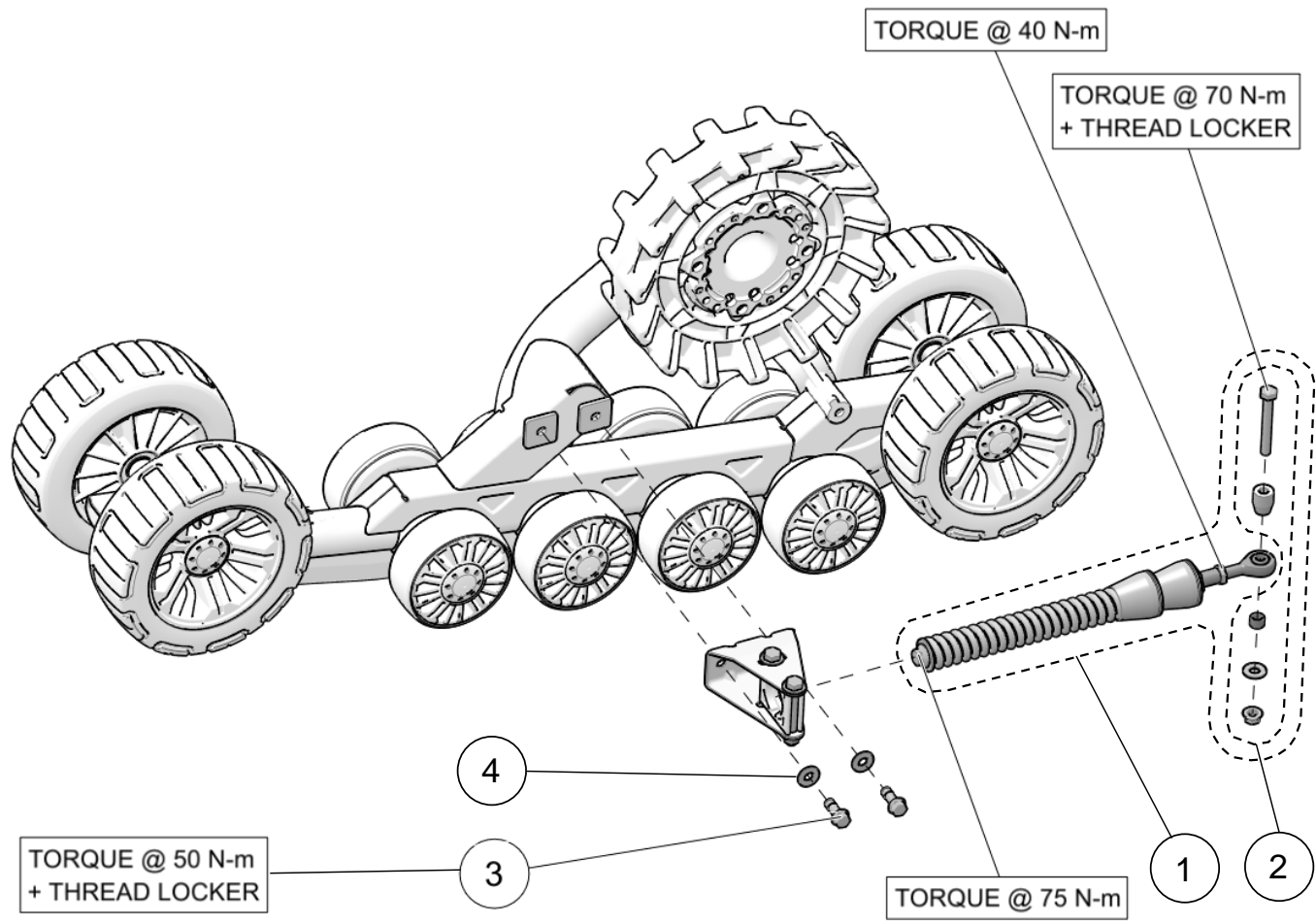
FORMERLY
CAMOPLAST
SOLIDEAL



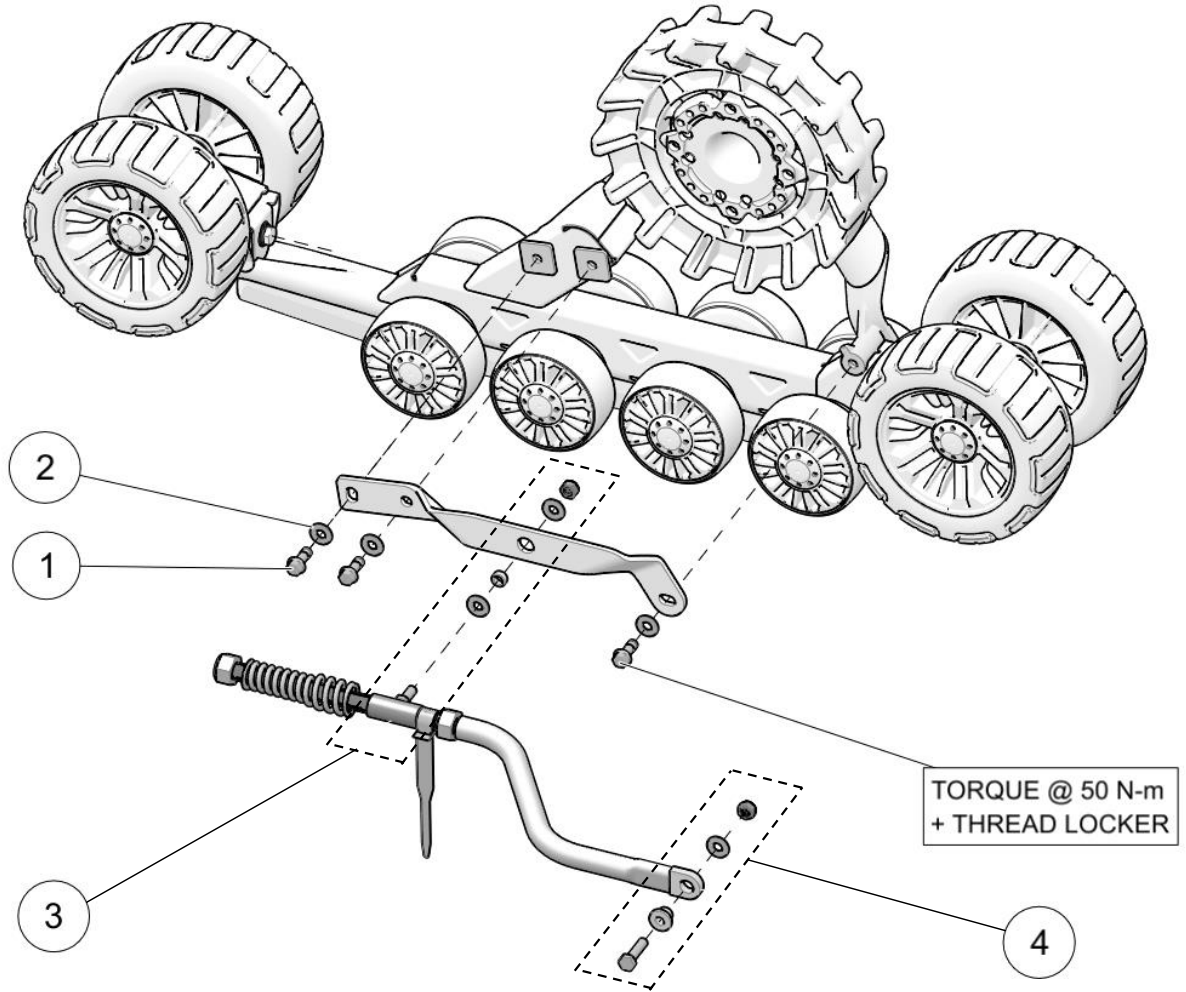
ITEM #	PART #	DESCRIPTION	QTY
		CAMSO UTV 4S1 MY2017 :: FRONT LEFT & RIGHT	
1	1017-00-0042	WHEEL CAP / CAPUCHON DE ROUE	10
2	1017-00-7150	HUB CAP ASSY BLUE / CAP DE MOYEU BLEU ASSEMBLÉ	1
3	1033-08-2020	HCSW, M8-1.25X20, 8.8, ZP, TL, DIN933	6
4	1033-10-2026	HCSW, M10-1.5X25, 8.8, ZP, TL, DIN933	10
5	1033-AS-0025	STABILIZ. ROD SHORT BOLT KIT / ENS. BOULON COURT BRAS STABILIS.	1
6	1036-10-4030	HFSCS, M10-1.5X30, 10.9, ZP, TL, DIN 6921	4-5
7	1060-12-0002	W, 24X13X2.5, ZP, DIN125A	1
8	1071-12-0001	NN, M12-1.75, ZP, DIN982	1
9	1083-00-0090	BUBBLE LEVEL / NIVEAU À BULLE	1
10	1091-00-0004	ERR, 15, 1.5, DIN6799	1
11	1093-00-7025	UTV WHEEL SEAL / JOINT ROUE UTV	10
12	1093-00-9278	FRONT UTV TRACK / CHENILLE AVANT UTV -- 12.5 x 98 x 1 (9278S)	1
13	1433-10-0001	HHP, M10-1	1
14	7001-00-8902	STABILIZING ROD ASSY / BRAS STABILISATEUR ASSEMBLÉ	1



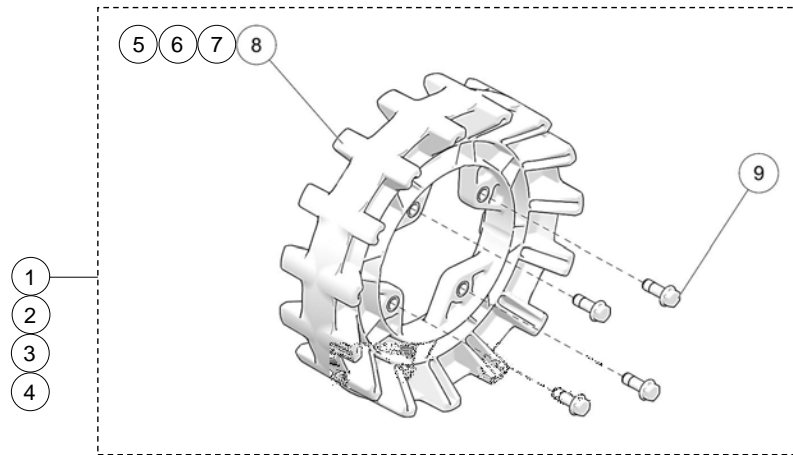
ITEM #	PART #	DESCRIPTION	QTY
		CAMSO UTV 4S1 MY2017 :: LEFT & RIGHT REAR	
1	1017-00-0042	WHEEL CAP / CAPUCHON DE ROUE	12
2	1017-00-7150	HUB CAP ASSY BLUE / CAP DE MOYEU BLEU ASSEMBLÉ	1
3	1033-08-2020	HCSW, M8-1.25X20, 8.8, ZP, TL, DIN933	10
4	1033-10-2026	HCSW, M10-1.5X25, 8.8, ZP, TL, DIN933	12
5	1036-10-4030	HFSCS, M10-1.5X30, 10.9, ZP, TL, DIN 6921	4-5
6	1060-12-0002	W, 24X13X2.5, ZP, DIN125A	1
7	1071-12-0001	NN, M12-1.75, ZP, DIN982	1
8	1091-00-0004	ERR, 15, 1.5, DIN6799	1
9	1093-00-7025	UTV WHEEL SEAL / JOINT ROUE UTV	12
10	1093-00-9296	REAR TRACK / CHENILLE ARRIÈRE -- UTV (9296S)	1
11	1433-10-0001	HHP, M10-1	1



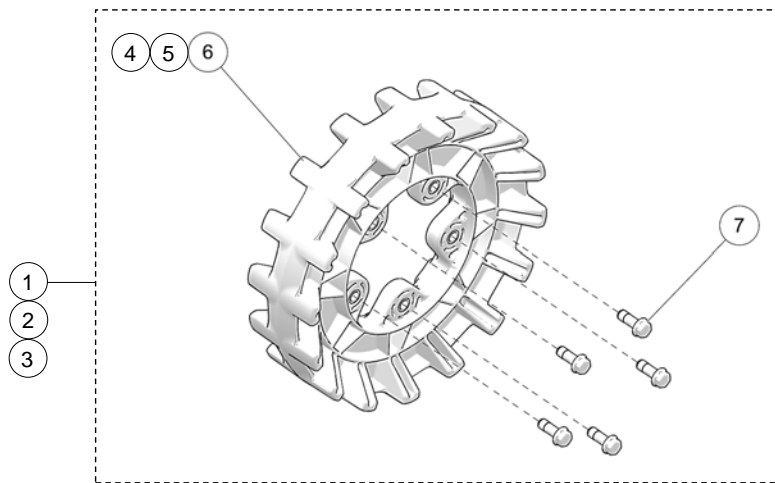
ITEM #	PART #	DESCRIPTION	QTY
CAMSO UTV 4S1 MY2017 :: INDEPENDENT SUSPENSION (IS)			
1	7001-00-8508	STABILIZ. ROD ASSY, UTV REAR / BRAS STAB. ASSEMBLÉ, UTV ARRIÈRE	1
2	1033-AS-0075	STABILIZ. ROD, LONG BOLT KIT / ENS. BOULON LONG, BRAS STABILISATEUR	1
3	1036-10-4030	HFSCS, M10-1.5X30, 10.9, ZP, TL, DIN 6921	2
4	1060-00-0004	W, 7/16X1.0X0.072, 8, ZP, USS	2



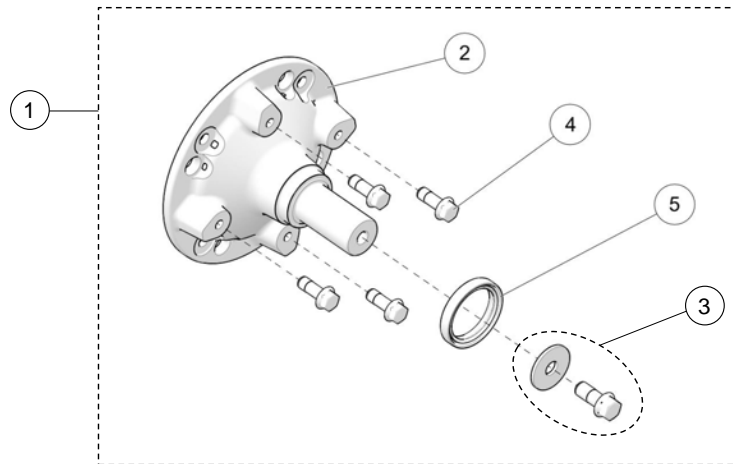
ITEM #	PART #	DESCRIPTION	QTY
CAMSO UTV 4S1 MY2017 :: RIGID SUSPENSION (RS)			
1	1036-10-4030	HFSCS, M10-1.5X30, 10.9, ZP, TL, DIN 6921	3
2	1060-00-0004	W, 7/16X1.0X0.072, 8, ZP, USS	3
3	1080-00-3000	STABILIZING ARM GUIDE ASS'Y. RS / GUIDE BRAS STABILISATEUR ASS., SR	1
4	7050-00-0024	S-KIT - BUSHING RS, STABILIZING ROD / BAGUE SR , BRAS STABILISATEUR	1



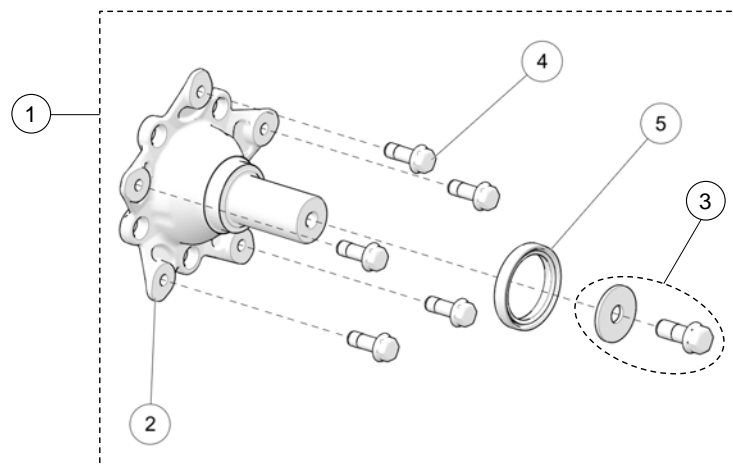
ITEM #	PART #	DESCRIPTION	QTY
CAMSO ATV T4S - UTV 4S1 MY2017 :: S-KIT 4-BOLT SPROCKETS			
1	7009-00-7115	S-KIT 15/4 SPROCKET / BARBOTIN 15/4	1
2	7009-00-7116	S-KIT 16/4 SPROCKET / BARBOTIN 16/4	1
3	7009-00-7117	S-KIT 17/4 SPROCKET / BARBOTIN 17/4	1
4	7009-00-7118	S-KIT 18/4 SPROCKET / BARBOTIN 18/4	1
5	--	SPROCKET 15 TEETH / BARBOTIN 15 DENTS -- T4S	1
6	--	SPROCKET 16 TEETH / BARBOTIN 16 DENTS -- T4S	1
7	--	SPROCKET 17 TEETH / BARBOTIN 17 DENTS -- T4S	1
8	--	SPROCKET 18 TEETH / BARBOTIN 18 DENTS -- T4S	1
9	1036-10-4030	HFSCS, M10-1.5X30, 10.9, ZP, TL, DIN 6921	4



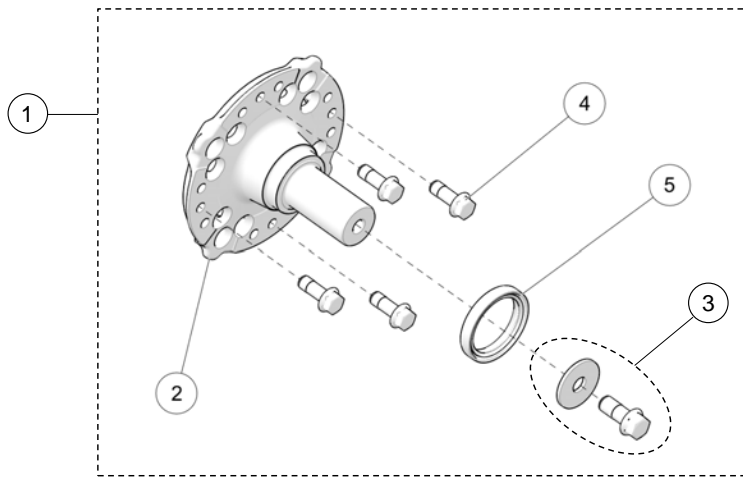
ITEM #	PART #	DESCRIPTION	QTY
CAMSO UTV 4S1 MY2017 :: S-KIT 5-BOLT SPROCKETS			
1	7009-08-7116	S-KIT 16/5 SPROCKET / BARBOTIN 16/5	1
2	7009-08-7117	S-KIT 17/5 SPROCKET / BARBOTIN 17/5	1
3	7009-08-7118	S-KIT 18/5 SPROCKET / BARBOTIN 18/5	1
4	--	SPROCKET 16 TEETH / BARBOTIN 16 DENTS -- T4S	1
5	--	SPROCKET 17 TEETH / BARBOTIN 17 DENTS -- T4S	1
6	--	SPROCKET 18 TEETH / BARBOTIN 18 DENTS -- T4S	1
7	1036-10-4030	HFSCS, M10-1.5X30, 10.9, ZP, TL, DIN 6921	5



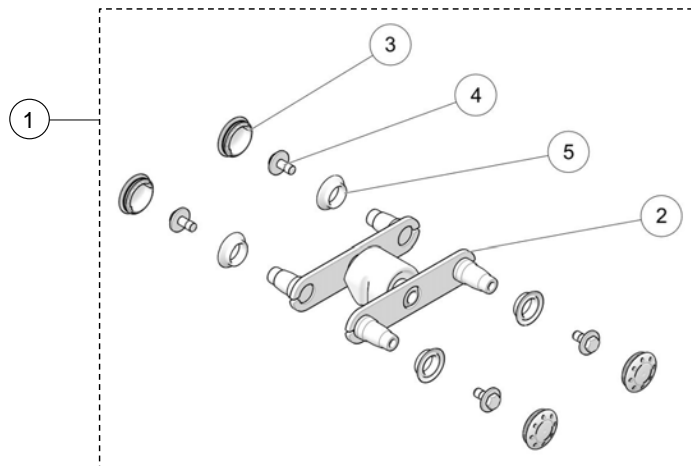
ITEM #	PART #	DESCRIPTION	QTY
CAMSO UTV 4S1 MY2017 S-KIT HUB MULTI POLARIS			
1	7019-05-0070	S-KIT HUB MULTI POLARIS / S-KIT MOYEU MULTI POLARIS	1
2	--	POLARIS MULTI HUB / MOYEU MULTI POLARIS	1
3	1033-AS-0066	WHEEL HUB BOLT KIT / ENS. BOULON MOYEU	1
4	1036-10-4030	HFSCS, M10-1.5X30, 10.9, ZP, TL, DIN 6921	4
5	1093-00-7002	DOUBLE LIPS SHAFT SEAL / JOINT ÉTANCHE DOUBLE	1



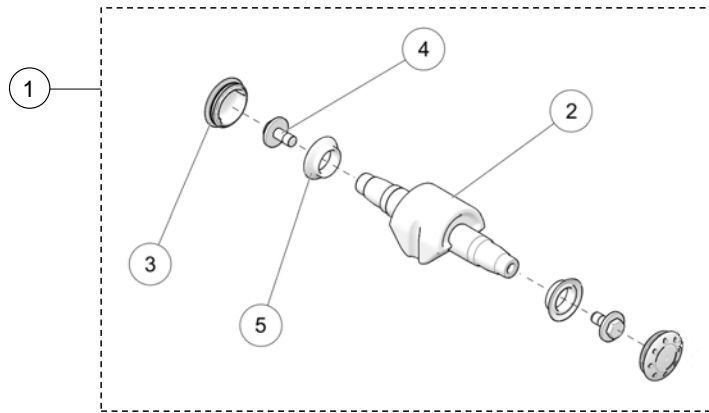
ITEM #	PART #	DESCRIPTION	QTY
CAMSO UTV 4S1 MY2017 :: S-KIT HUB 5 BOLTS			
1	7019-08-0007	S-KIT HUB 5 BOLTS / ENS. ESSIEU 5 BOULONS	1
2	--	5-BOLT PATTERN HUB / ESSIEU 5 BOULONS	1
3	1033-AS-0066	WHEEL HUB BOLT KIT / ENS. BOULON MOYEU	1
4	1036-10-4030	HFSCS, M10-1.5X30, 10.9, ZP, TL, DIN 6921	5
5	1093-00-7002	DOUBLE LIPS SHAFT SEAL / JOINT ÉTANCHE DOUBLE	1



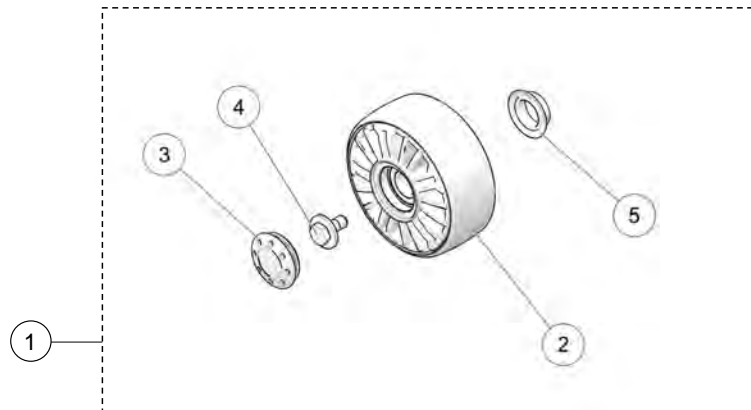
ITEM #	PART #	DESCRIPTION	QTY
CAMSO UTV 4S1 MY2017 :: S-KIT HUB MULTI			
1	7019-77-0015	S-KIT HUB MULTI / S-KIT MOYEU MULTI	1
2	--	MULTI-MODEL HUB / MOYEU MULTI-MODÈLES	1
3	1033-AS-0066	WHEEL HUB BOLT KIT / ENS. BOULON MOYEU	1
4	1036-10-4030	HFSCS, M10-1.5X30, 10.9, ZP, TL, DIN 6921	4
5	1093-00-7002	DOUBLE LIPS SHAFT SEAL / JOINT ÉTANCHE DOUBLE	1



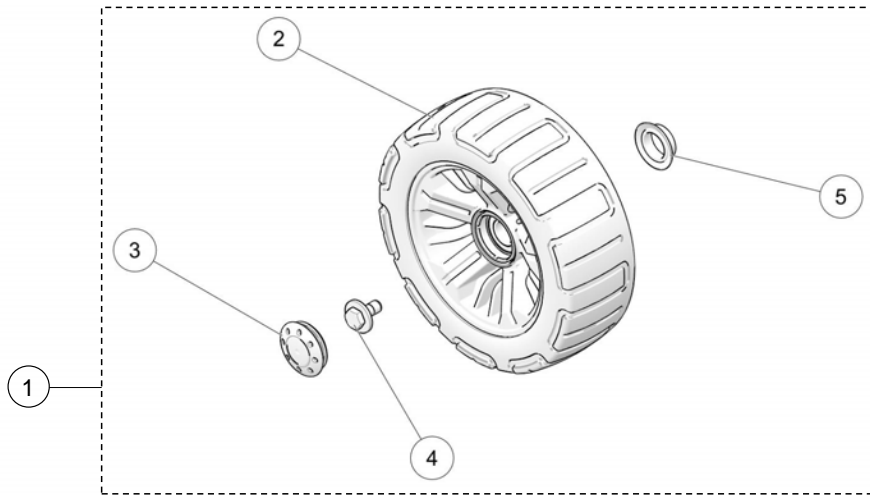
ITEM #	PART #	DESCRIPTION	QTY
CAMSO UTV 4S1 MY2017 :: UTV STABILIZER			
1	7015-00-8745	S-KIT STABILIZER UTV 4S1 / S-KIT STABILISATEUR UTV 4S1	1
2	--	STABILIZER, OVERMOLDED ASS'Y / STABILISATEUR SURMOULÉ ASS.	1
3	1017-00-0042	WHEEL CAP / BOUCHON DE ROUE	4
4	1033-10-2026	HCSW, M10-1.5X25, 8.8, ZP, TL, DIN933	4
5	1093-00-7025	UTV WHEEL SEAL / JOINT ROUE UTV	4



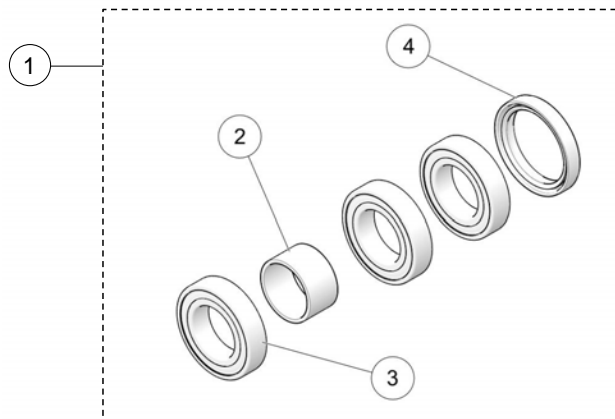
ITEM #	PART #	DESCRIPTION	QTY
		CAMSO UTV 4S1 MY2017 :: WHEEL AXLE	
1	7015-00-8730	S-KIT WHEEL AXLE UTV 4S1 / S-KIT ARBRE DE ROUE UTV 4S1	1
2	--	DAMPER, OVERMOLDED ASS'Y / AMORTISSEUR SURMOULÉ ASS.	1
3	1017-00-0042	WHEEL CAP / BOUCHON DE ROUE	2
4	1033-10-2026	HCSW, M10-1.5X25, 8.8, ZP, TL, DIN933	2
5	1093-00-7025	UTV WHEEL SEAL / JOINT ROUE UTV	2



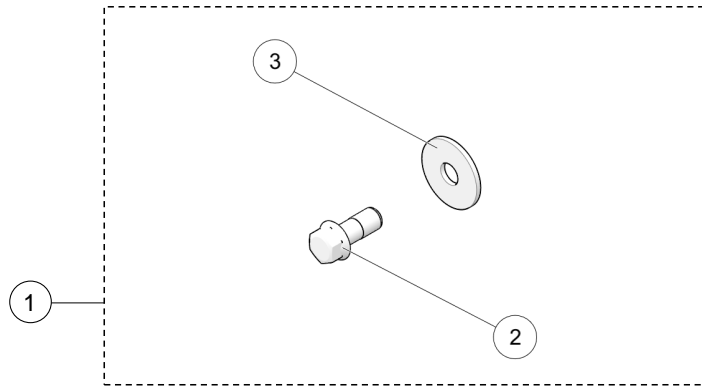
ITEM #	PART #	DESCRIPTION	QTY
		CAMSO UTV 4S1 MY2017 :: 50MM WHEEL KIT	
1	7016-00-5220	S-KIT REPLACEMENT WHEEL / S-KIT ROUE REMPLACEMENT -- 50MM	1
2	--	132MM X 50MM UTV WHEEL, ASS'Y / ROUE UTV 132MM X 50MM, ASS.	1
3	1017-00-0042	WHEEL CAP / CAPUCHON DE ROUE	1
4	1033-10-2026	HCSW, M10-1.5X25, 8.8, ZP, TL, DIN933	1
5	1093-00-7025	UTV WHEEL SEAL / JOINT ROUE UTV	1



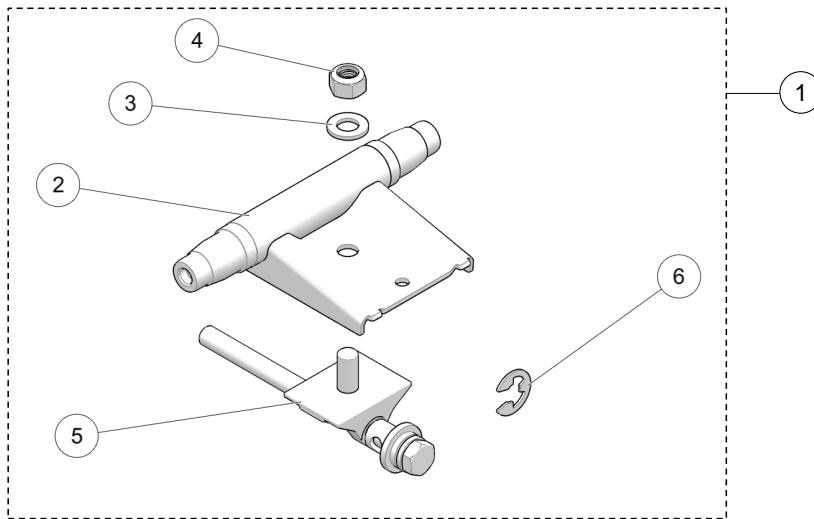
ITEM #	PART #	DESCRIPTION	QTY
		CAMSO UTV 4S1 MY2017 :: 241MM WHEEL KIT	
1	7016-00-2260	S-KIT 241MM REPLACEMENT WHEEL / REMPLACEMENT ROUE 241 MM	1
2	--	WHEEL 241MM, ASSY / PNEU 241MM, ASSEMBLÉ	1
3	1017-00-0042	WHEEL CAP / CAPUCHON DE ROUE	1
4	1033-10-2026	HCSW, M10-1.5X25, 8.8, ZP, TL, DIN933	1
5	1093-00-7025	UTV WHEEL SEAL / JOINT ROUE UTV	1



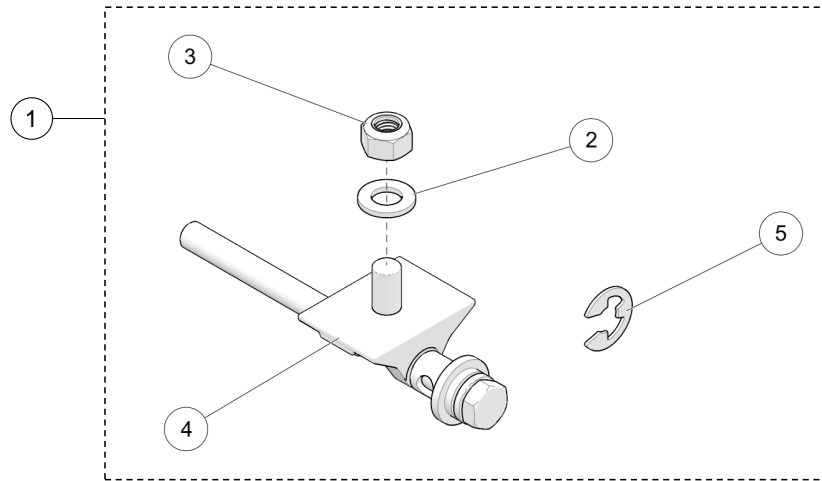
ITEM #	PART #	DESCRIPTION	QTY
		CAMSO UTV 4S1 MY2017 :: HUB BEARING KIT	
1	7090-00-0002	S-KIT UTV -- 3 BEARINGS / 3 ROULEMENTS	1
2	--	INTERNAL SPACER / ESPACEUR INTERNE -- UTV	1
3	--	STANDARD BEARING / ROULEMENT À BILLE STANDARD	3
4	1093-00-7002	DOUBLE LIPS SHAFT SEAL / JOINT ÉTANCHE DOUBLE	1



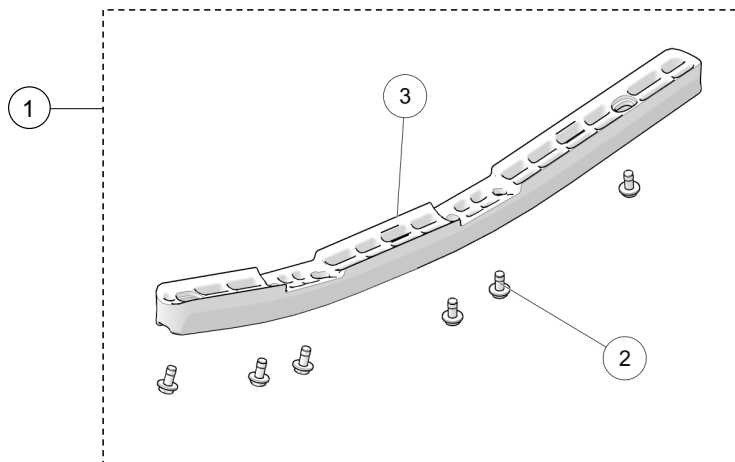
ITEM #	PART #	DESCRIPTION	QTY
CAMSO UTV 4S1 MY2017 :: HUB BOLT KIT			
1	1033-AS-0066	HUB BOLT KIT / BOULON DE MOYEU, ENSEMBLE	1
2	--	HFSCS, M12-1.75X30, 10.9, ZP, TL, DIN 6921	1
3	--	W, 1.625, 0.515, 11GA.	1



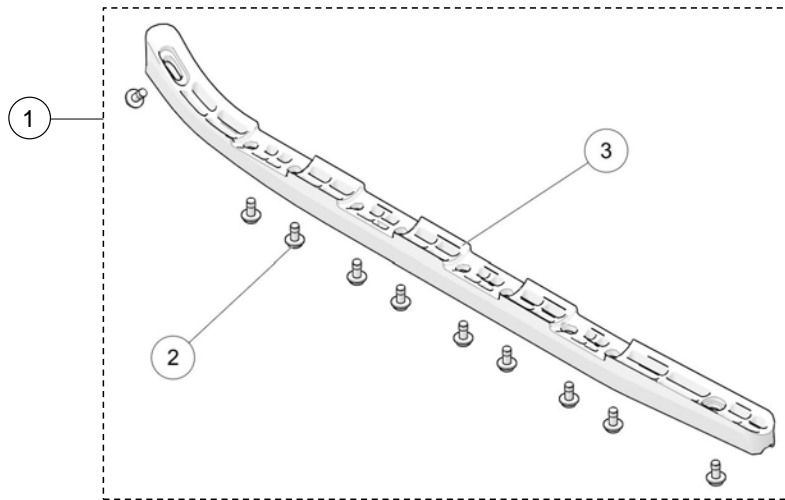
ITEM #	PART #	DESCRIPTION	QTY
CAMSO UTV 4S1 MY2017 :: TRACK TENSIONER			
1	7014-00-8521	S-KIT UTV TRACK TENSIONER / S-KIT TENDEUR CHENILLE UTV	1
2	--	TRACK TENSIONER / TENDEUR DE CHENILLE - UTV 4S1 MY2017	1
3	1060-12-0002	W, 24X13X2.5, ZP, DIN125A	1
4	1071-12-0001	NN, M12-1.75, ZP, DIN982	1
5	--	TENSIONER ADJUST. SCREW ASS'Y / ENS. BOULON D'AJUST. TENDEUR	1
6	1091-00-0004	ERR, 15, 1.5, DIN6799	1



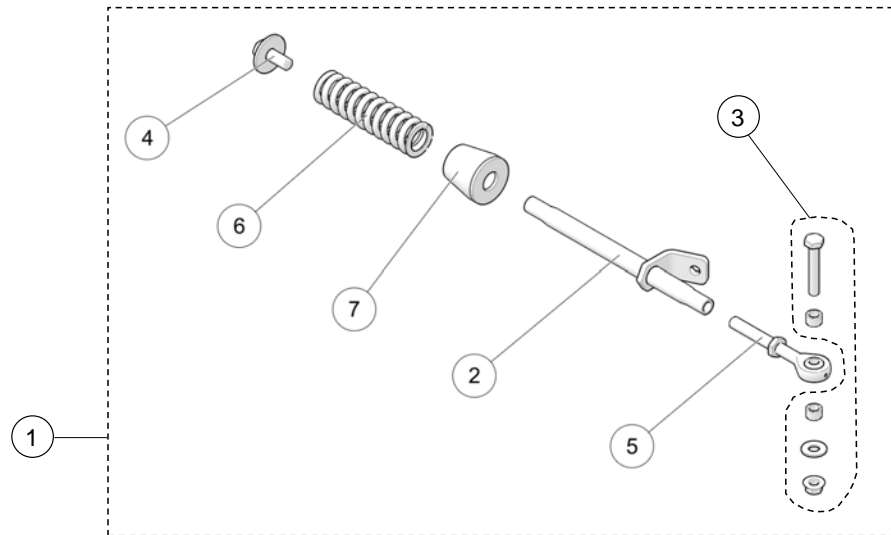
ITEM #	PART #	DESCRIPTION	QTY
		CAMSO UTV 4S1 MY2017 :: TENSIONER ADJUSTMENT SCREW	
1	7082-00-8140	S-KIT TENSIONER ADJUST. SCREW / S-KIT BOULON AJUST. TENDEUR	1
2	1060-12-0002	W, 24X13X2.5, ZP, DIN125A	1
3	1071-12-0001	NN, M12-1.75, ZP, DIN982	1
4	--	TENSIONER ADJUST. SCREW ASS'Y / ENS. BOULON D'AJUST. TENDEUR	1
5	1091-00-0004	ERR, 15, 1.5, DIN6799	1



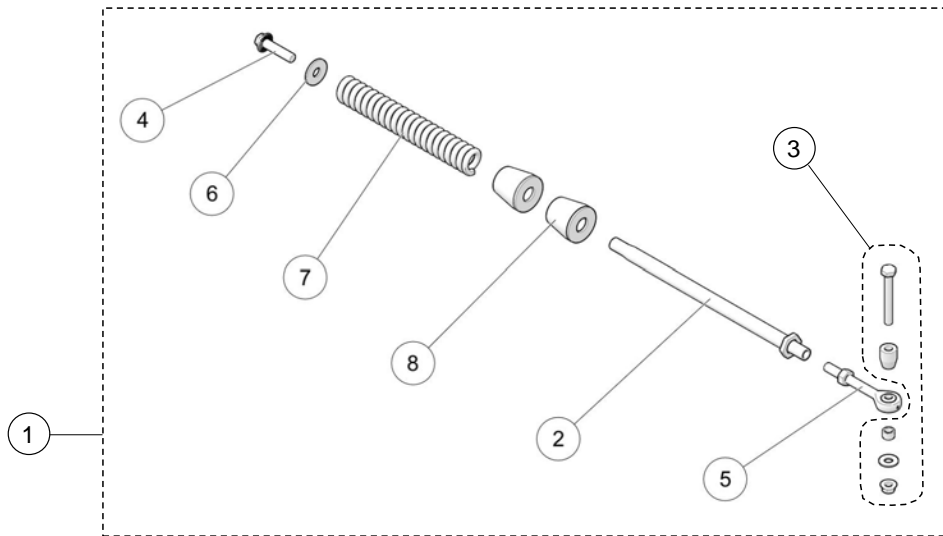
ITEM #	PART #	DESCRIPTION	QTY
		CAMSO UTV 4S1 MY2017 :: FRONT TRACK GUIDE	
1	7085-00-8031	S-KIT UTV 4S1 FRONT GUIDE / S-KIT GUIDE AVANT UTV 4S1	1
2	1033-08-2020	HCSW, M8-1.25X20, 8.8, ZP, TL, DIN933	6
3	--	TRACK GUIDE, FRONT / GUIDE DE CHENILLE AVANT	1



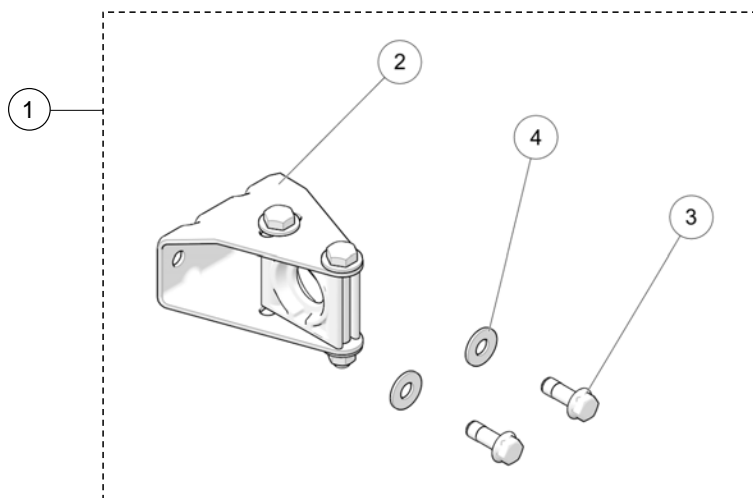
ITEM #	PART #	DESCRIPTION	QTY
CAMSO UTV 4S1 MY2017 :: REAR TRACK GUIDE			
1	7085-00-8032	S-KIT UTV 4S1 REAR GUIDE / S-KIT GUIDE ARRIÈRE UTV 4S1	1
2	1033-08-2020	HCSW, M8-1.25X20, 8.8, ZP, TL, DIN933	10
3	--	TRACK GUIDE, REAR / GUIDE DE CHENILLE ARRIÈRE	1



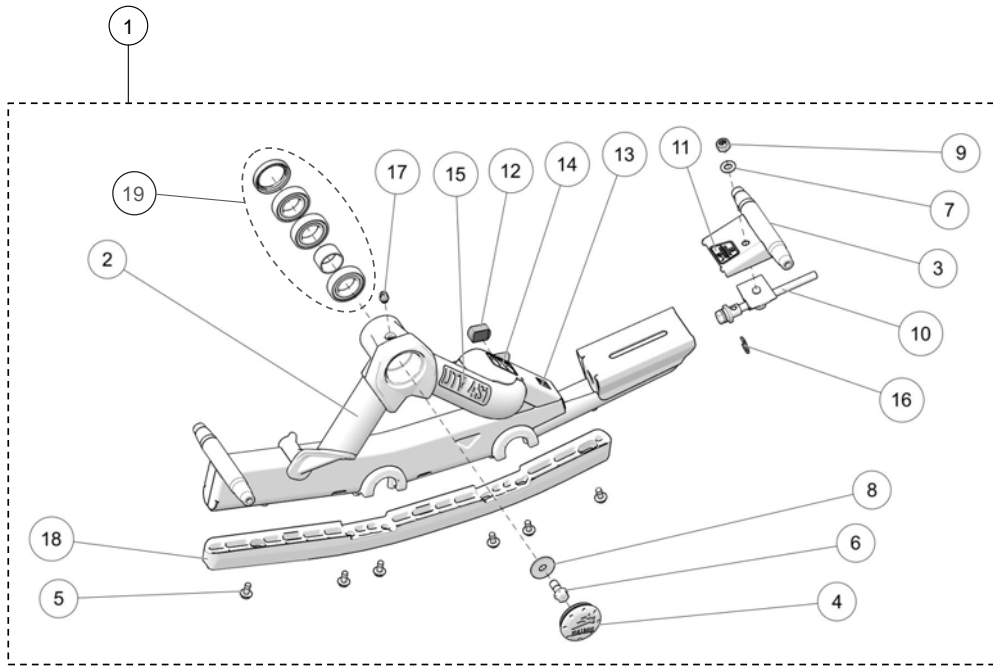
ITEM #	PART #	DESCRIPTION	QTY
CAMSO UTV 4S1 MY2017 :: STABILIZING ROD, FRONT			
1	7001-00-8902	S-KIT STABILIZING ROD, UTV FRONT / BRAS STABILISATEUR, UTV AVANT	1
2	1000-00-8570	SHORT ANTI-ROTATION ROD / TIGE ANTI-ROTATION COURTE	1
3	1033-AS-0025	STABILIZING ROD SHORT BOLT KIT / ENS. BOULON COURT BRAS STAB.	1
4	1035-12-9030	HFCSW, M12-1.75X30, 10.9, ZP, TL	1
5	1047-12-1090	X-LONG ROD END / TIGE À OEIL X-LONGUE	1
6	1080-00-0087	COMPRESSION SPRING / RESSORT À COMPRESSION - 417 LBS/IN	1
7	1093-00-7050	RUBBER DAMPER / AMORTISSEUR EN CAOUTCHOUC	1



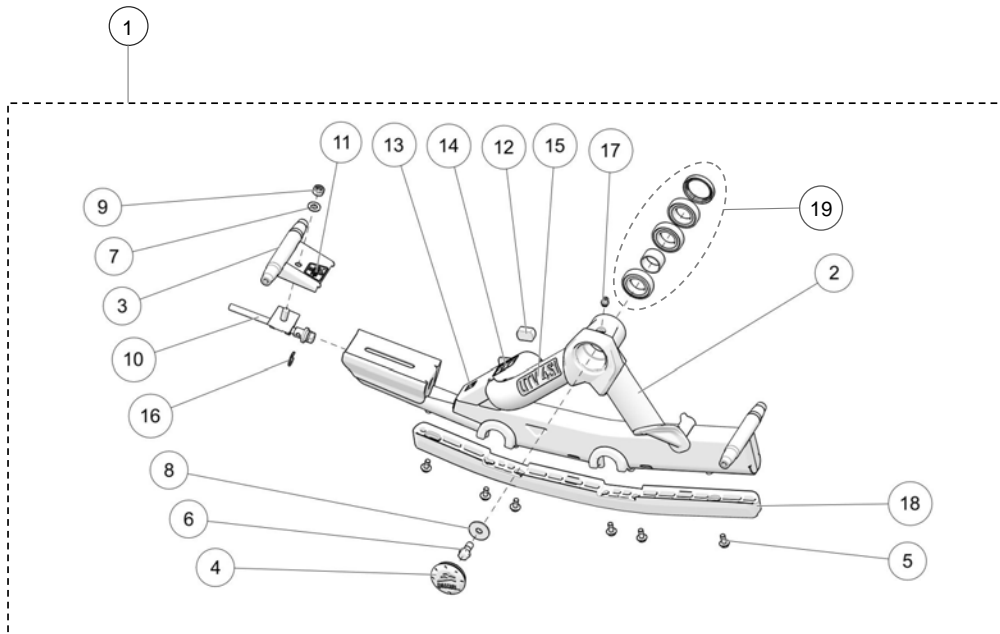
ITEM #	PART #	DESCRIPTION	QTY
CAMSO UTV 4S1 MY2017 :: STABILIZING ROD, REAR			
1	7001-00-8508	S-KIT STABILIZING ROD, UTV REAR / BRAS STABILISATEUR, UTV ARRIÈRE	1
2	1000-00-8058	LONG ANTI-ROTATION ROD / TIGE ANTI-ROTATION LONGUE	1
3	1033-AS-0075	STABILIZING ROD LONG BOLT KIT / ENS. BOULON LONG BRAS STAB.	1
4	1036-12-D050	BOLT / BOULON - HFSCS, M12-1.75X50, 8.8, ZP, FULL THREAD	1
5	1047-12-1090	X-LONG ROD END / TIGE À OEIL X-LONGUE	1
6	1060-12-0001	WASHER / RONDELLE - W, 37.4X13X3, ZP, DIN9021	1
7	1080-00-0901	COMPRESSION SPRING, LG / RESSORT COMPRESSION, LG - 480 LBS/IN	1
8	1093-00-7050	RUBBER DAMPER / AMORTISSEUR EN CAOUTCHOUC	2



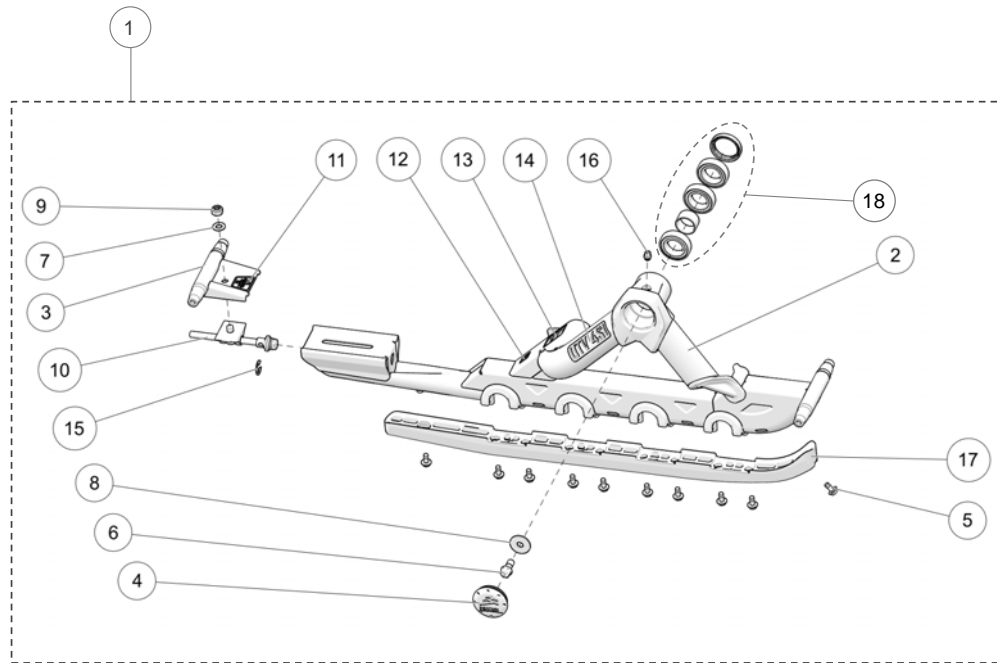
ITEM #	PART #	DESCRIPTION	QTY
CAMSO UTV 4S1 MY2017 :: BRACKET, INDEPENDENT SUSPENSION			
1	7015-00-8251	S-KIT ANTI-ROTATION IND SUSPENSION / ANTIROTATION SUSP. IND.	1
2	--	ANTI-ROTATION BRACKET IND SUSP / ATTACHE ANTIROTATION SI	1
3	1036-10-4030	HFSCS, M10-1.5X30, 10.9, ZP, TL, DIN 6921	2
4	1060-00-0004	W, 7/16X1.0X0.072, 8, ZP, USS	2



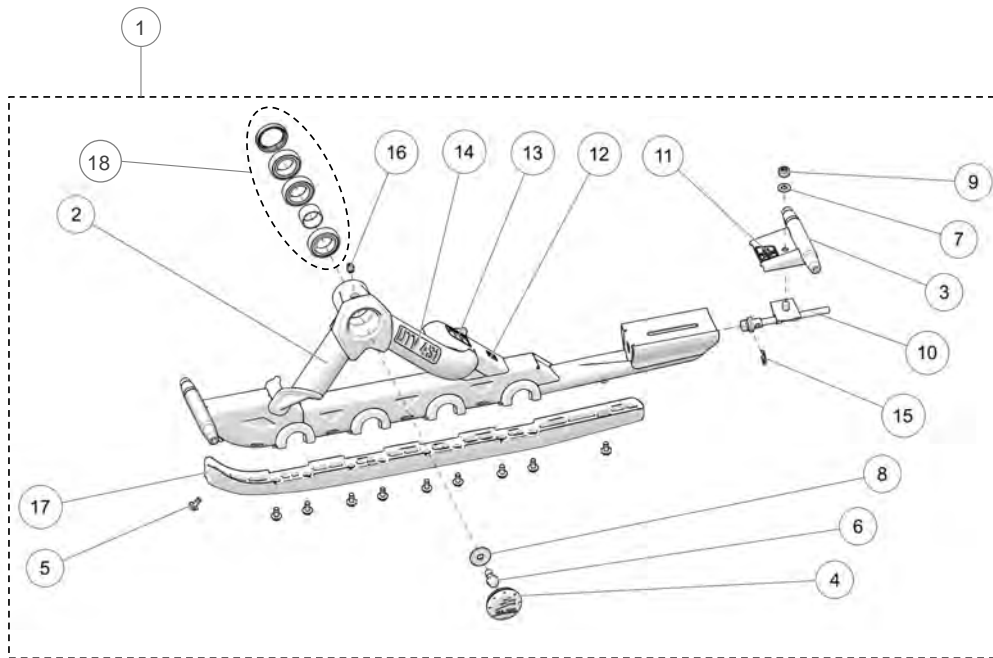
ITEM #	PART #	DESCRIPTION	QTY
		CAMSO UTV 4S1 MY2017 :: FRONT RIGHT FRAME	
1	7010-00-8522	S-KIT FRAME FR UTV 4S1 / S-KIT CHASSIS AVD UTV 4S1	1
2	--	RH FRONT FRAME / CHÂSSIS AV. DROIT -- UTV 4S1 MY2017	1
3	--	TRACK TENSIONER / TENDEUR DE CHENILLE -- UTV 4S1 MY2017	1
4	1017-00-7150	HUB CAP CAMSO ASSY / CAP DE MOYEU CAMSO ASSEMBLÉ	1
5	1033-08-2020	HCSW, M8-1.25X20, 8.8, ZP, TL, DIN933	6
6	--	HFSCS, M12-1.75X30, 10.9, ZP, TL, DIN 6921	1
7	1060-12-0002	W, 24X13X2.5, ZP, DIN125A	1
8	--	W, 1.625, 0.515, 11GA.	1
9	1071-12-0001	NN, M12-1.75, ZP, DIN982	1
10	--	TENSIONER, ADJUST. SCREW - ASS'Y / TENDEUR, BOULON AJUST. - ASS.	1
11	--	STICKER, LOOSEN PRIOR / AUTOCOLLANT, DESERRER AVANT- UTV 4S1	1
12	1083-00-0090	BUBBLE LEVEL / NIVEAU À BULLE	1
13	--	STICKER, FRONT RIGHT PICTOGRAM / PICTOGRAMME AV. DROIT	1
14	--	STICKER, WARNING / AUTOCOLLANT AVERTISSEMENT	1
15	--	STICKER / AUTOCOLLANT -- CAMSO UTV 4S1	1
16	1091-00-0004	ERR, 15, 1.5, DIN6799	1
17	1433-10-0001	HHP, M10-1	1
18	--	FRONT TRACK GUIDE / GUIDE CHENILLE AVANT -- UTV 4S1	1
19	7090-00-0002	S-KIT UTV 3 BEARINGS / S-KIT UTV 3 ROULEMENTS	1



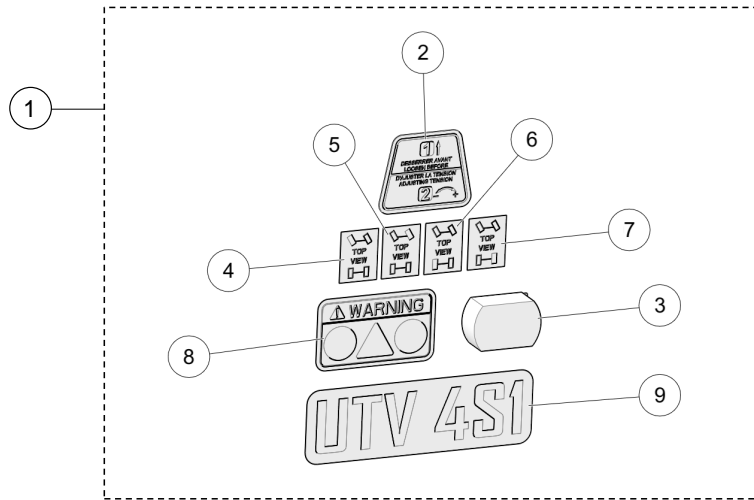
ITEM #	PART #	DESCRIPTION	QTY
		CAMSO UTV 4S1 MY2017 :: FRONT LEFT FRAME	
1	7011-00-8522	S-KIT FRAME FL UTV 4S1 / S-KIT CHASSIS AVG UTV 4S1	1
2	--	LH FRONT FRAME / CHÂSSIS AV. GAUCHE -- UTV 4S1 MY2017	1
3	--	TRACK TENSIONER / TENDEUR DE CHENILLE -- UTV 4S1 MY2017	1
4	1017-00-7150	HUB CAP CAMSO ASSY / CAP DE MOYEU CAMSO ASSEMBLÉ	1
5	1033-08-2020	HCSW, M8-1.25X20, 8.8, ZP, TL, DIN933	6
6	--	HFSCS, M12-1.75X30, 10.9, ZP, TL, DIN 6921	1
7	1060-12-0002	W, 24X13X2.5, ZP, DIN125A	1
8	--	W, 1.625, 0.515, 11GA.	1
9	1071-12-0001	NN, M12-1.75, ZP, DIN982	1
10	--	TENSIONER, ADJUST. SCREW - ASS'Y / TENDEUR, BOULON AJUST. - ASS.	1
11	--	STICKER, LOOSEN PRIOR / AUTOCOLLANT, DESERRER AVANT- UTV 4S1	1
12	1083-00-0090	BUBBLE LEVEL / NIVEAU À BULLE	1
13	--	STICKER, FRONT LEFT PICTOGRAM / PICTOGRAMME AV. GAUCHE	1
14	--	STICKER, WARNING / AUTOCOLLANT AVERTISSEMENT	1
15	--	STICKER / AUTOCOLLANT -- CAMSO UTV 4S1	1
16	1091-00-0004	ERR, 15, 1.5, DIN6799	1
17	1433-10-0001	HHP, M10-1	1
18	--	FRONT TRACK GUIDE / GUIDE CHENILLE AVANT -- UTV 4S1	1
19	7090-00-0002	S-KIT UTV 3 BEARINGS / S-KIT UTV 3 ROULEMENTS	1



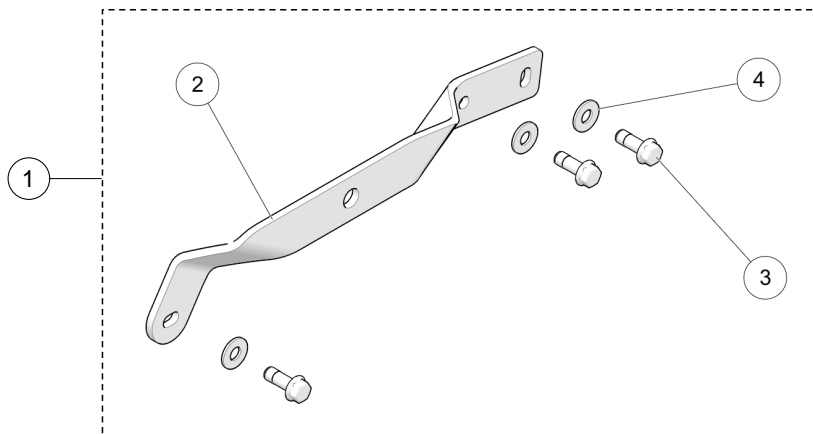
ITEM #	PART #	DESCRIPTION	QTY
CAMSO UTV 4S1 MY2017 :: REAR RIGHT FRAME			
1	7012-00-8522	S-KIT FRAME RR UTV 4S1 / S-KIT CHASSIS ARD UTV 4S1	1
2	--	RH REAR FRAME / CHÂSSIS AR. DROIT -- UTV 4S1 MY2017	1
3	--	TRACK TENSIONER / TENDEUR DE CHENILLE -- UTV 4S1 MY2017	1
4	1017-00-7150	HUB CAP CAMSO ASSY / CAP DE MOYEU CAMSO ASSEMBLÉ	1
5	1033-08-2020	HCSW, M8-1.25X20, 8.8, ZP, TL, DIN933	10
6	--	HFSCS, M12-1.75X30, 10.9, ZP, TL, DIN 6921	1
7	1060-12-0002	W, 24X13X2.5, ZP, DIN125A	1
8	--	W, 1.625, 0.515, 11GA.	1
9	1071-12-0001	NN, M12-1.75, ZP, DIN982	1
10	--	TENSIONER, ADJUST. SCREW - ASS'Y / TENDEUR, BOULON AJUST. - ASS.	1
11	--	STICKER, LOOSEN PRIOR / AUTOCOLLANT, DESERRER AVANT- UTV 4S1	1
12	--	STICKER, REAR RIGHT PICTOGRAM / PICTOGRAMME AR. DROIT	1
13	--	STICKER, WARNING / AUTOCOLLANT AVERTISSEMENT	1
14	--	STICKER / AUTOCOLLANT -- CAMSO UTV 4S1	1
15	1091-00-0004	ERR, 15, 1.5, DIN6799	1
16	1433-10-0001	HHP, M10-1	1
17	--	REAR TRACK GUIDE / GUIDE CHENILLE ARRIÈRE -- UTV 4S1	1
18	7090-00-0002	S-KIT UTV 3 BEARINGS / S-KIT UTV 3 ROULEMENTS	1



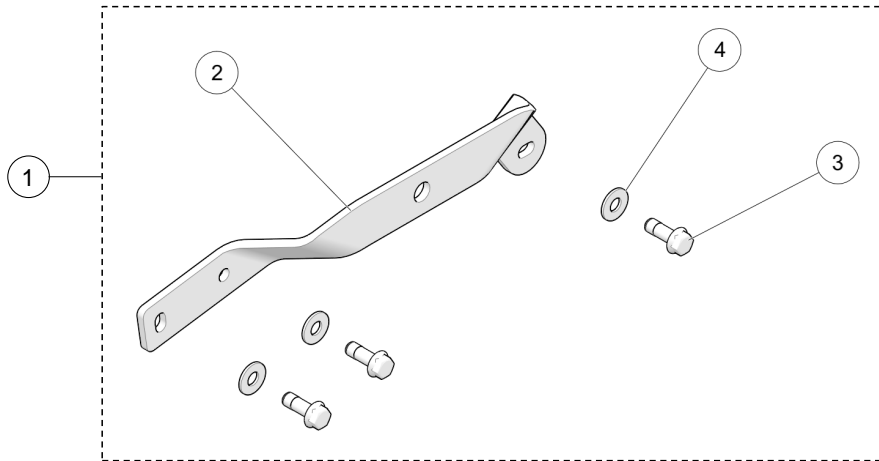
ITEM #	PART #	DESCRIPTION	QTY
CAMSO UTV 4S1 MY2017 :: REAR LEFT FRAME			
1	7013-00-8522	S-KIT FRAME RL UTV 4S1 / S-KIT CHASSIS ARG UTV 4S1	1
2	--	LH REAR FRAME / CHÂSSIS AR. GAUCHE -- UTV 4S1 MY2017	1
3	--	TRACK TENSIONER / TENDEUR DE CHENILLE -- UTV 4S1 MY2017	1
4	1017-00-7150	HUB CAP CAMSO ASSY / CAP DE MOYEU CAMSO ASSEMBLÉ	1
5	1033-08-2020	HCSW, M8-1.25X20, 8.8, ZP, TL, DIN933	10
6	--	HFSCS, M12-1.75X30, 10.9, ZP, TL, DIN 6921	1
7	1060-12-0002	W, 24X13X2.5, ZP, DIN125A	1
8	--	W, 1.625, 0.515, 11GA.	1
9	1071-12-0001	NN, M12-1.75, ZP, DIN982	1
10	--	TENSIONER, ADJUST. SCREW - ASSY / TENDEUR, BOULON AJUST. - ASS.	1
11	--	STICKER, LOOSEN PRIOR / AUTOCOLLANT, DESERRER AVANT- UTV 4S1	1
12	--	STICKER, REAR LEFT PICTOGRAM / PICTOGRAMME AR. GAUCHE	1
13	--	STICKER, WARNING / AUTOCOLLANT AVERTISSEMENT	1
14	--	STICKER / AUTOCOLLANT -- CAMSO UTV 4S1	1
15	1091-00-0004	ERR, 15, 1.5, DIN6799	1
16	1433-10-0001	HHP, M10-1	1
17	--	REAR TRACK GUIDE / GUIDE CHENILLE ARRIÈRE -- UTV 4S1	1
18	7090-00-0002	S-KIT UTV 3 BEARINGS / S-KIT UTV 3 ROUEMENTS	1



ITEM #	PART #	DESCRIPTION	QTY
CAMSO UTV 4S1 MY2017 :: DECALS			
1	7083-00-8580	S-KIT DECAL UTV 4S1 / S-KIT DECALQUE UTV 4S1	1
2	--	STICKER - LOOSEN PRIOR / AUTOCOLLANT - DESSERRER AVANT	1
3	1083-00-0090	BUBBLE LEVEL / NIVEAU À BULLE	1
4	--	STICKER, FRONT LEFT PICTOGRAM / PICTOGRAMME AV. GAUCHE	1
5	--	STICKER, FRONT RIGHT PICTOGRAM / PICTOGRAMME AV. DROIT	1
6	--	STICKER, REAR LEFT PICTOGRAM / PICTOGRAMME AR. GAUCHE	1
7	--	STICKER, REAR RIGHT PICTOGRAM / PICTOGRAMME AR. DROIT	1
8	--	STICKER, WARNING / AUTOCOLLANT AVERTISSEMENT	1
9	--	STICKER / AUTOCOLLANT -- CAMSO UTV 4S1 2017	1



ITEM #	PART #	DESCRIPTION	QTY
CAMSO UTV 4S1 MY2017 :: RIGHT ANTI-ROTATION BRACKET - RIGID			
1	7015-00-8518	S-KIT ANTI-ROTATION RIG RH BRACKET / ANCRAGE ANTIROT. DR, RIG.	1
2	--	ANTI-ROTATION, RH BRACKET, RS / ANCRAGE DR, ANTIROTATION, SR	1
3	1036-10-4030	HFSCS, M10-1.5X30, 10.9, ZP, TL, DIN 6921	3
4	1060-00-0004	W, 7/16X1.0X0.072, 8, ZP, USS	3



ITEM #	PART #	DESCRIPTION	QTY
		CAMSO UTV 4S1 MY2017 :: LEFT ANTI-ROTATION BRACKET - RIGID	
1	7015-00-8508	S-KIT ANTI-ROTATION RIG LH BRACKET / ANCRAGE ANTIROT. GA, RIG.	1
2	--	ANTI-ROTATION, LH BRACKET, RS / ANCRAGE GA, ANTIROTATION, SR	1
3	1036-10-4030	HFSCS, M10-1.5X30, 10.9, ZP, TL, DIN 6921	3
4	1060-00-0004	W, 7/16X1.0X0.072, 8, ZP, USS	3