

CAMSO UTV 4S1 FOR SIDE BY SIDE

UTV 4S1: 1099-01-1150

USER MANUAL 2020





⚠ WARNING

Please read carefully each part of this document as well as model specific Installation Guidelines prior to assembling, installing and using the Track System.

CAUTION: The UTV 4S1 Track System by Camso is first and foremost designed to provide the best performance in terms of traction and floatation in conditions of extreme terrain such as deep snow and mud. The Track System is also designed for side-by-side type vehicles that can ride at a maximum speed of 40 km/h (about 70 km/h on the speedometer). Exceeding this speed when the terrain conditions are dry can cause premature wear and or major breakdowns on the Track System. If breakage occurs due to excessive speed, damage will not be covered under normal warranty. It is the user's responsibility to abide by these terms of use.

CAUTION: Longevity of the Camso UTV 4S1 Track System components is directly linked to the way the System is used. Sportive driving, rapid direction changes and repeated fast turns (especially on power steering vehicles) are not advised. These driving styles increase the risk of derailing and can cause premature wear and/or major breakdowns on the Track System which will not be covered under normal warranty.

Camso inc.
4162, rue Burrill - Local A
Shawinigan, QC G9N 0C3
CANADA

TECHNICAL SUPPORT

If your dealer or distributor is unable to solve a problem related to the System, you may contact the Camso support team from Monday to Friday.

E-Mail: enduser.atv@camso.co
Website: www.camso.co

System Serial Number: 6522NSA _____

Original notice
Translations in other languages available at www.camso.co

TABLE OF CONTENTS

INTRODUCTION	1
SYMBOLS AND SIGNAL WORDS	1
GENERAL INFORMATION	1
SERIAL NUMBER LOCATION	1
SAFETY	2
OPERATING INSTRUCTIONS	4
SPECIFICATIONS	9
ADJUSTMENTS	10
ANGLE OF ATTACK - FRONT TRACK SYSTEMS	10
ANGLE OF ATTACK - REAR TRACK SYSTEMS	12
ALIGNMENT	14
RUBBER TRACK TENSION	16
MAINTENANCE	17
LUBRICATION	20
WEAR	24
2-YEAR LIMITED WARRANTY	26
TROUBLESHOOTING	27
"CE" DECLARATION OF CONFORMITY	29
PATENTS	30
PARTS LIST	31

INTRODUCTION

Thank you for choosing the **Camso UTV 4S1** Track System, (hereinafter referred to as the "System"). You have made the right choice. This system will provide you with all the traction, performance and durability you require for recreational or work purposes and allows for operation in winter conditions as well as fall and spring conditions. This Track System for side-by-side utility vehicle (hereinafter referred to as the "SxS") provides exceptional floatation with very low ground pressure. Its strong lightweight steel frame, its internal sprockets adapted to the vehicle's capacity, and its track specifically designed for SxS, make it the best system on the market.

SYMBOLS AND SIGNAL WORDS

This guide uses the following signal words and symbols to emphasize particular information:

WARNING

Indicates a potentially hazardous situation which, if not avoided, could result in death or serious injury.

CAUTION: Indicates a potentially hazardous situation which, if not avoided, may result in damage to vehicle and Track System components.

NOTE: Indicates supplementary information.



The Prohibition Safety Sign indicates an action NOT to be taken in order to avoid a hazard.



The Mandatory Action Sign indicates an action that NEEDS to be taken to avoid a hazard.

GENERAL INFORMATION

- All figures, information or photos presented in this document are up to date at the time of publication. However, they may change without notice.
- Read and follow indications of the SxS user manual and installation guidelines carefully. Their contents remains applicable after installation of the System.
- This document should be read by every person who drives the SxS equipped with the System.

- This document is an integral part of the System. Pass it along to any new System owner.
- Consult legal authorities where you drive your SxS equipped with the System before usage to ensure that you respect all applicable laws and regulations.
- SxS Track Systems are designed to reduce ground pressure and increase vehicle traction. However, during normal operating conditions, vehicle speed should be reduced compared to a wheeled vehicle.

SERIAL NUMBER LOCATION

The following figures show the location of the serial numbers on the Track System frame (Figure 1) and rubber track (Figure 2).

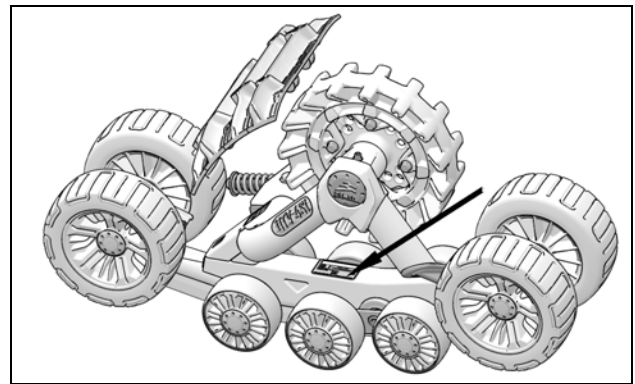


Figure 1

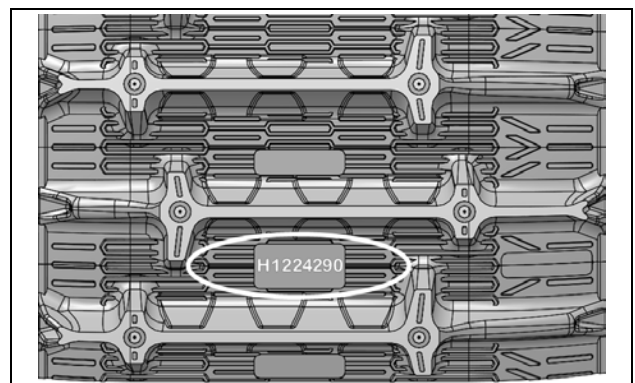
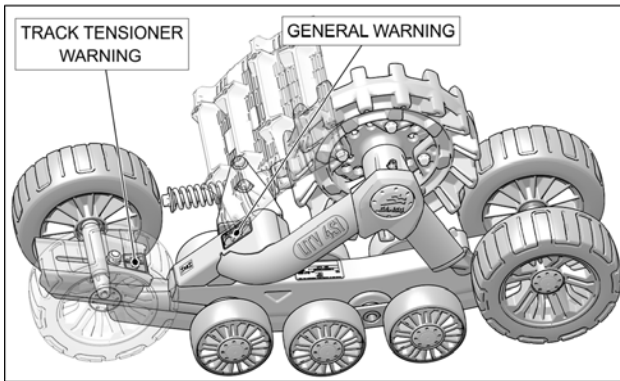


Figure 2

SAFETY

WARNING STICKERS

You will find on Track System frames the warning stickers shown in the illustration below. Read the stickers carefully and understand them before using the Track Systems. They contain important information about safety and proper operation of the Track Systems.



CAUTION: Do not remove the warning stickers from the frame. If a sticker is damaged, have it replaced by an authorized Camso dealer.

GENERAL WARNING



User Manual - Users must read the User Manual before attempting to operate a vehicle equipped with Track Systems.



If Track Systems are sold or in any way transferred to a new user, the User Manual must also be transferred to the new user.



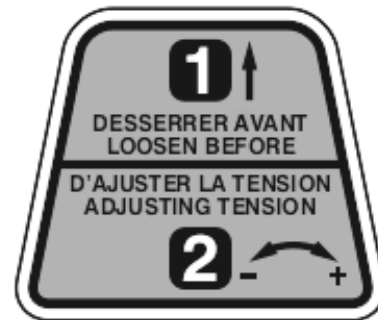
Moving Parts - Hands or fingers caught between moving parts of the equipment present a danger to life or limb. Turn motor off before servicing Track Systems.



Maintenance Schedule - Follow instructions contained in the Maintenance Schedule section of the User Manual to ensure safe and long-lasting operation of Track Systems.

TENSIONER WARNING

Tensioner Bolt Warning - If track tension adjustment is required, the tensioner assembly bolt must be loosened first. Re-tighten the bolt to the recommended torque specification after completing the tension adjustment.



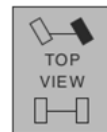
POSITION PICTOGRAM STICKERS

These labels indicate the position of each Track System: front left, front right, rear left and rear right. They are located on the frame.

Front left



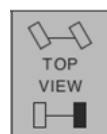
Front right



Rear left



Rear right



USER NOTICE AND DISCLAIMER

The **Camso UTV 4S1** System was initially designed to be used in winter conditions and was then adapted to be used in fall and spring conditions.

This document holds important information regarding driving an SxS equipped with the **Camso UTV 4S1** System by Camso. It is mandatory that every user takes the time to carefully read, understand and then consult this reference manual and user guide as well as the SxS owner's manual as needed. When purchasing either a new or used Track System, the user must obtain all documentation related to the System, including manuals and guides related to the SxS on which the System is installed. If need be, contact the Camso products dealer nearest to you to obtain any additional information. You may also consult the Camso Web site at www.camso.co and contact our technical support by email at enduser.atv@camso.co.

Camso believes that there are certain risks related to the installation and use of the System. Our experience shows that the System is safe. However, the user must be aware of the risks related with driving a SxS with the particularities of this type of System. The SxS driver must, at all times, respect all applicable laws and regulations, the indications of the System manufacturer and the indications from the vehicle manufacturer fixed by law, namely when age restrictions exist and SxS base equipment is required (headlights, flashers and brake lights, rear view mirror, etc.). The user must always wear adequate safety equipment, such as a helmet, safety glasses (or visor), protective clothing, boots and gloves. It is understood that driving while impaired or intoxicated presents a danger for the SxS user and others and is against the law.

The System consists of many moving parts, including transmission wheels. If an object lodges itself or becomes jammed into the System and blocks the track, it is mandatory to stop the engine and the vehicle and apply the security brake before removing said object. By avoiding to do so, the user exposes himself to sudden movement of the SxS or to breakage of a part or component coming from the System, which could cause severe injuries. It is also very important to wear full length clothing and always avoid hanging or stringy accessories.

Driving a SxS equipped with such a System requires particular precautions and a knowledge of proper driving techniques of such vehicles. An evaluation by the user of the conditions and terrain (state of the ground, grade of hill, density of snow, etc.) is equally essential.

A SxS equipped with a System cannot compete and/or be used to perform stunts, acrobatics or other exploits, as these could result in loss of control or severe injuries.

Insufficient knowledge of a SxS during down hill riding, climbs and crossing of obstacles and turns can result in tipping or roll over, and can cause severe injuries.

Carrying a passenger, a load or attaching a tow can cause the SxS to be less stable, and affect vehicle usability. Unless otherwise prescribed by law and by the SxS manufacturer, you must not carry a passenger, loads or tow any objects.

The installation of a System:

- Increases ground clearance.
- Changes the center of gravity.
- Increases the SxS width and weight.
- Reduces ground pressure.

These parameters will effectively change driving characteristics of a SxS equipped with the System.

Consequently, **it is highly recommended that the user adapt his driving style to the new characteristics mentioned above.** The driver must always use caution when he crosses obstacles, circulates through narrow paths, meets vehicles coming in the opposing direction, etc.

As it was designed, the System will considerably reduce the SxS top speed and can falsify the speedometer. Generally, the System transmission wheel diameter is less than that of the tire. Therefore, the vehicle speed will be less than that actually displayed. Whether the SxS is equipped or not with the System, users must always adapt the speed to actual driving conditions. Users must never exceed speed limits or drive faster than their capacities allow. Excessive speed remains one of the main causes of severe accidents on SxS.

Camso is proud to offer SxS conversion kits within its wide range of products. SxS Track Systems are not only reliable, but safe. However, there are risks inherent to driving a SxS equipped with the System. It is therefore very important that any driver familiarizes himself with proper driving techniques of a SxS equipped with a System, and that he adapts his driving to his level of experience and continually evaluates operating conditions and terrain to safely and efficiently make the best of these Camso SxS Track Systems.

OPERATING INSTRUCTIONS

HINTS AND TIPS

- Before leaving for an excursion, make sure to bring with you the following: 13 mm, 15 mm, 16 mm, 17 mm, and 19 mm wrenches and sockets, an ax, a shovel, a tow cable, a lifting jack and an adjustable wrench.
- Generally, the slower you go, the better the traction will be.
- For riding on excursions on unknown or remote terrain, make sure to have a cellular phone or satellite phone, a first aid kit and spare parts in your possession.
- When driving off trails, always be cautious of hidden obstacles that could be present.
- When driving in deep snow, do not intentionally spin the tracks (tracks keep turning without the vehicle moving). It could cause the vehicle to get stuck.

BREAK-IN PERIOD

CAUTION: A break-in period is necessary to allow the components of the system to settle and adjust themselves to each other.

During the break-in period (4 hours or 80 kilometers), **follow these recommendations:**

VERIFICATION	INSTALLATION			
	1 ST HOUR - 15 km/h*			
	2 ND HOUR - 25 km/h*			
	3 RD HOUR - 35 km/h*			
VISUAL INSPECTION	x	x	x	x
TRACK TENSION	x	x		
ANGLE OF ATTACK	x	x		
ALIGNMENT	x			x
BOLT TORQUE - Anchor Brackets				x

* Maximum Real Speed

CAUTION: Avoid running under dry and clean conditions. (For example: asphalt, hay or straw field, etc). Start sharp turns at very low speed: (10 km/h maximum real speed).

- A **GOOD** break-in period must be done in a lubricated environment such as water, mud, snow, soft soil, sand, dust, etc.

- A **BAD** break-in period can generate smoke, odors of burned rubber as well as plastic deposits on the sprocket and/or the frame.

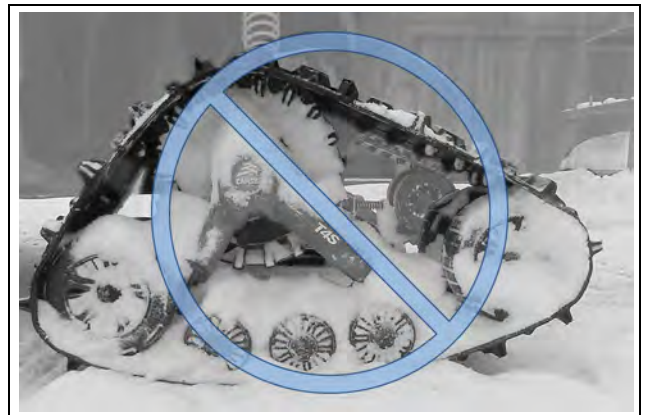
⚠ WARNING

Driving a vehicle equipped with a Track System is different from driving a vehicle on wheels. It is strongly recommended that the safety guidelines provided below be followed to prevent any accident or serious malfunction that could affect the occupants, the vehicle or the Track System.

CAUTION: Non-compliance with usage recommendations can lead to a warranty claim refusal.

PRE-USE VERIFICATION

CAUTION: Before each ride make sure that the System's wheels and moving parts are free and that they are not frozen or stuck on the frame.



CAUTION: the driver is responsible for verifying that the vehicle's air intake is well adapted to the weather conditions and is not blocked by any snow accumulation.

JUMPING

⚠ WARNING

Jumping with vehicles equipped with Track Systems is not recommended. These Systems were not designed to carry out this type of operation. A SxS equipped with the System must never be used for the following activities: races, rallies, jumps, stunts, acrobatics or any other extreme applications.

STEEP DESCENTS

CAUTION: It is not advisable to change direction during steep descents. This can lead to a serious malfunction of the SxS's steering system and Track Systems.



CAUTION: During a steep descent, it is advisable to keep the handlebars straight and to begin turning when the SxS is on flat ground, thus avoiding subjecting the vehicle components and the System to any high stress.



⚠ WARNING
Allow for a greater braking distance and periodically apply the brakes while driving to prevent ice buildup on brake components.

CAUTION: Reduce your speed at all times; Track Systems installed on a vehicle do not have the same absorption capacity as tires.

DESCENDING AND BEING STUCK IN REVERSE

CAUTION: If the rear Track Systems get stuck in the snow, avoid moving or towing the vehicle in reverse to ease it from its position, as this could lead to a malfunction of the Systems. If possible, move it in the forward direction to free it from the snow.



CAUTION: It is advisable to remove the snow from the top of the rear Track Systems and to compact it behind the Systems, using your feet, to dislodge the track. Shoveling remains the best alternative in this situation.



⚠ WARNING
Adapt your driving style to surrounding conditions (weather, traffic, etc.) and your driving abilities.

CAUTION: Always operate in 4x4 mode, this significantly reduces possibility of derailing in any conditions.

DRIVING OVER AN OBSTACLE TALLER THAN 30 cm [12 in]

CAUTION: It is not advisable to attempt to drive over an obstacle taller than 30 cm [12 in], such as a tree trunk, stump or big rock.



CAUTION: If the situation occurs, insert a log or a rock to lower the height of the obstacle and facilitate driving over the obstacle.



⚠ WARNING
Drivers must remain vigilant and cautious at all times. Snow and mud can hide dangerous obstacles.

CAUTION: In loaded / working mode (100 kg and over), reduce significantly your speed and be extra careful on rough terrain.

CAUTION: Never exceed vehicle cargo and tow capacity specified by your vehicle manufacturer on any type of terrain.

EXCEEDING THE ANTI- ROTATION STROKE ON ROUGH TERRAIN

CAUTION: Never exceed the anti-rotation stroke of the front and rear Track Systems. System or vehicle failure may occur.



CAUTION: It is recommended to drive on a surface on which the Track System is always fully supported.

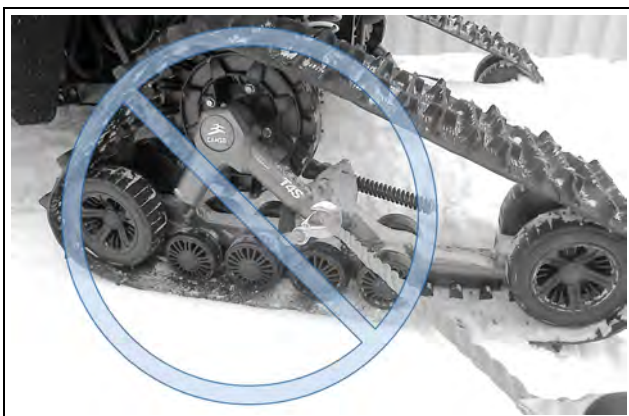


⚠ WARNING
Always follow the SxS manufacturer's safety rules and recommendations regarding, for example passengers transportation, maximum loads, etc.

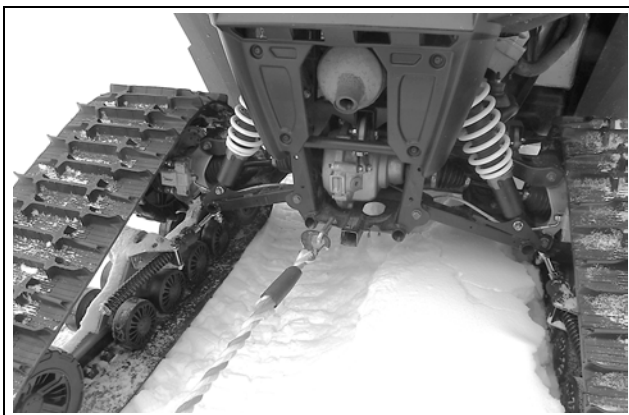
CAUTION: the driver is responsible for following the recommended scheduled maintenance described in this manual.

LOCATION OF TOWING CABLE

CAUTION: If your vehicle must be towed out of the snow, do not secure the towing cable on the Track Systems.



CAUTION: The towing cable must be attached to the vehicle's frame.



TOWING A VEHICLE OUT OF THE SNOW

CAUTION: If your vehicle must be towed out of the snow, never tow it in the direction in which you were going when the vehicle got stuck.



CAUTION: Tow the vehicle back in the direction of the tracks left before getting stuck.

⚠ WARNING
When travelling in groups, people following vehicles with Track Systems should be warned of potential dangerous objects that can be propelled by tracks. Be especially cautious on "rocky" trails.

TRACK SYSTEMS OPERATING IN WATER AND MUD

CAUTION: If Track Systems are used in wet conditions, submerged in water and/or mud, it is important to consult the Track System's maintenance chart and to observe the maintenance intervals indicated in this manual related to commercial, industrial and abrasive conditions use.



SHARP TURNS IN LOCKED 4X4 MODE

CAUTION: Do not make sharp turns in locked differential 4x4 mode on sticky terrain without lubrication. The Track System is designed to slip into the drive system, keeping the vehicle from being overloaded.



NOTE: Some vehicles do not have a rear differential with unlocked 4x4 mode. These vehicles should avoid the situation described above and make wider turns instead.

DRIVING OVER A STEEP RIDGE

CAUTION: It is not advisable to attempt to drive over an obstacle, such as a tree trunk, big rock or steep ridge that could lodge itself between the front and the rear Track Systems and immobilize the vehicle. The best option remains to bypass this type of obstacle.



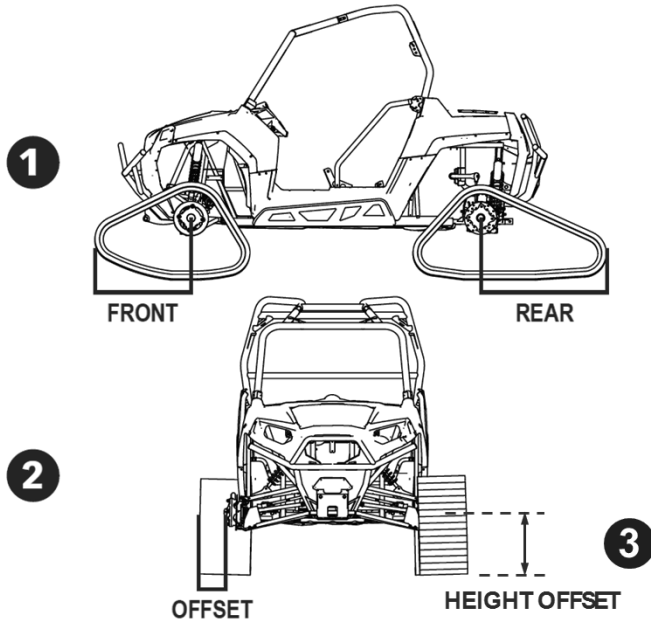
DRIVING OVER AN OBSTACLE



SPECIFICATIONS

OFFSETS ON VEHICLE

Installation of a Track System on a vehicle creates offsets in length, height and width. The offsets are illustrated in the figure below and their dimensions are specified in the accompanying table.



1	OFFSET (LENGTH)	FRONT	26.5 in (673 mm)
		REAR	35 in (889 mm)
2	OFFSET (WIDTH)	POLARIS	8 in (203 mm)
		JOHN DEERE & KUBOTA	7.5 in (190 mm)
		OTHER MODELS	7 in (178 mm)
3	OFFSET (HEIGHT)	ORIGINAL TIRE: 26 in	3.5 in (89 mm)

SPEEDOMETER AND TRIP METER READINGS

The Track System affects Speedometer and Trip meter readings by approximately 35% depending on the ratio between sprocket and tire size.

TORQUE SPECIFICATIONS

Refer to the exploded views at the end of the Manual to obtain torque specifications applied to bolts at important points on the Track System.

DIMENSION	GRADE	Nm	lb-ft
M6-1.0	8.8	10	7
M8-1.25	8.8	25	18
M8-1.25	10.9	33	24
M10-1.5	8.8	50	37
M10-1.5	10.9	70	52
M12-1.75	8.8	90	66
M12-1.75	10.9	125	92

NOTE: Use a thread locker (Loctite 263 type or its equivalent) at indicated places in the exploded views of the System.

⚠ WARNING

Overtightening bolts may damage parts and safety features may be affected.

STORAGE

CAUTION: Contaminants can alter and corrode the moving parts of Track Systems during storage. It is strongly recommended to perform the prescribed maintenance before storing the Track Systems.

The best way to store the System is to lay down each frame on its side, away from direct sunlight.

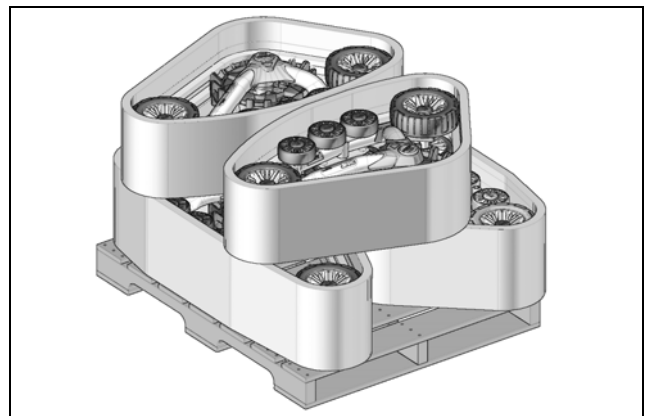


Figure 3

NOTE: Before storing the Track System, pour 5 cc of oil under wheel caps to help prevent corrosion.

ADJUSTMENTS

CAUTION: Verifying adjustments of the System is mandatory after first use on the vehicle. Track tension, alignment and angle of attack of each Track System unit must be re-verified. Incorrect adjustments can decrease System performance and produce premature wear on certain components.

NOTE: To make the following adjustments, position the vehicle on a flat and level surface.

ANGLE OF ATTACK - FRONT TRACK SYSTEMS

To obtain the correct angle of attack on front Track Systems, perform the following:

- Orient the steering wheel and the Track Systems straight ahead
- Temporarily apply pressure to the front of the track to make sure that it stays flat on the ground
- Stabilizing arm (1) must be attached to the front anchor bracket (2) installed on the vehicle. See Figure 4.

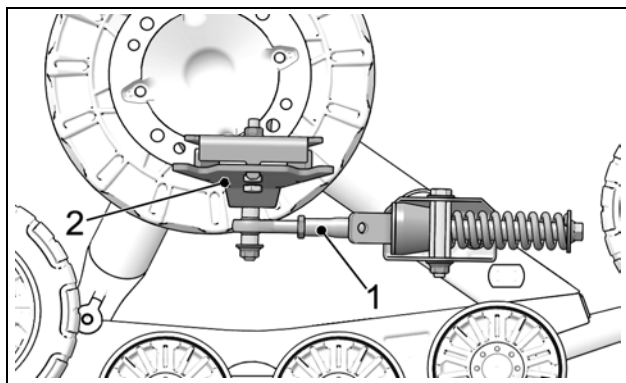


Figure 4

- A Bubble Level is attached to the inside of the front frames. A perfectly centered bubble is needed to adjust the angle of attack correctly. See Figure 5.

NOTE: Before each measurement, temporarily apply light pressure to the front of the track to make sure that it stays flat on the ground.

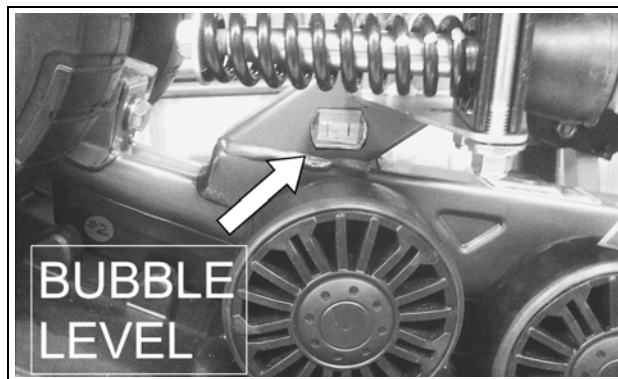


Figure 5

- Loosen anti-rotation bracket bolts (1) and (2) to allow the anti-rotation retainer (3) to rotate freely on its axis. See Figure 6.

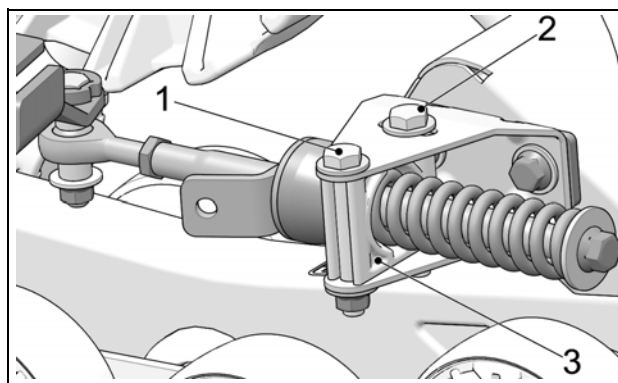


Figure 6

- Loosen jam nut (1). Adjust length of rod end (2) by rotating the steering limiter support plate on (3) the stabilizing arm. Use a 30 mm wrench to rotate support plate to obtain a perfectly centered bubble in the level. Figure 7.

NOTE: Stabilizing arms on front Track Systems incorporate a steering limiter support plate (3) that is bent. This plate should be positioned inwards, towards the vehicle.

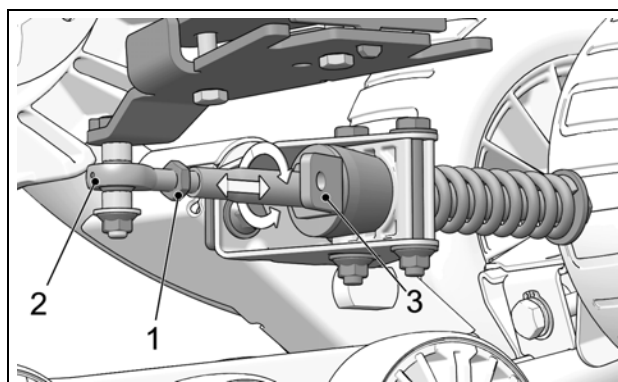


Figure 7

ADJUSTMENTS

- When angle of attack is correctly set, tighten the jam nut (1) back against the stabilizing arm to 40 N•m [30lb•ft] of torque. See Figure 8.

CAUTION: Tighten jam nut to recommended torque specification. Overtightening nut might damage rod end.

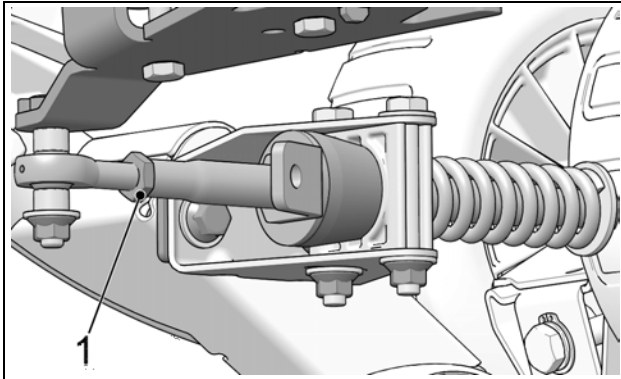


Figure 8

- Re-tighten anti-rotation bracket bolts (1) and (2) to 50 N•m [37 lb•ft] of torque. See Figure 9.

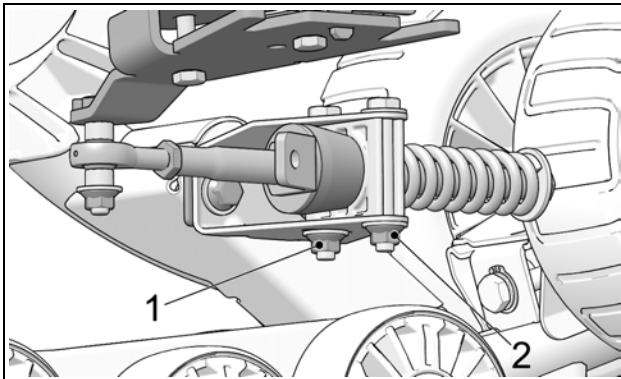


Figure 9

- Once the centered bubble in the level indicates that the angle of attack is correct, double-check the setting by validating the distance from the top of the back tires to the ground.

Position a flat bar on top of the rear wheels of the front Track System and measure from the ground up to the flat bar as shown on Figure 10.

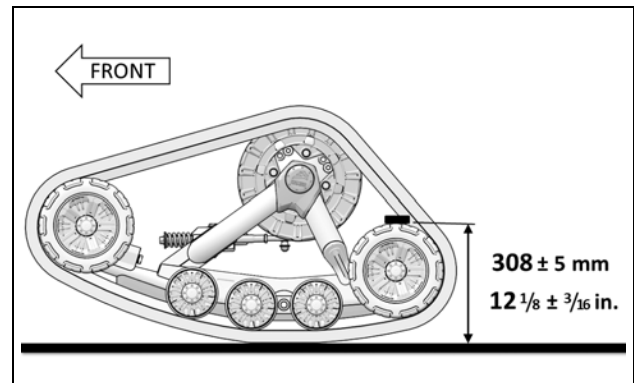


Figure 10

BASIC TUNING (Front Track Systems)

- An adjustment of more than **308 mm [12 1/8 in]**, measured with the flat bar, provides easier steering but produces a wobbling effect at high speed.
- An adjustment of less than **308 mm [12 1/8 in]**, measured with the flat bar, results in harder steering and more stability at high speed.

CAUTION: The 308 mm dimension corresponds to the required angle of attack setting. If the centered bubble in the level does not produce the required measurement of 308 mm, re-adjust angle of attack to obtain the required dimension without referring to the bubble level.

NOTE: Once angle of attack on front systems is set, verify once again to confirm adjustment.

ANGLE OF ATTACK - REAR TRACK SYSTEMS

To obtain the correct angle of attack on rear Track Systems, perform the following:

RIGID AXLE OR TRAILING ARM SUSPENSION

CAUTION: Some vehicles require a particular adjustment. Refer to the *Installation Guidelines* specific to your vehicle model to confirm the adjustment.

- Stabilizing arm (1) must be attached to Track System and to rear anchor bracket (2) installed on vehicle. See Figure 11.

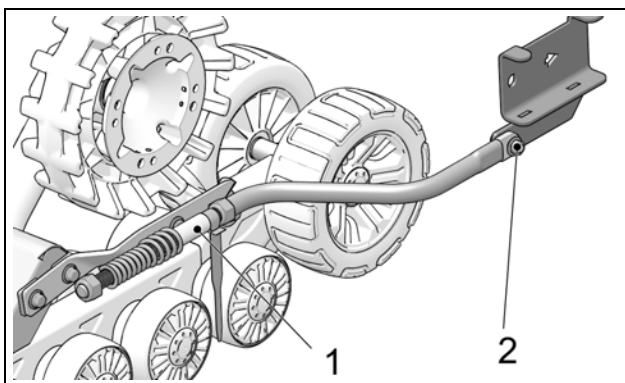


Figure 11

NOTE: Actual Rear Anchor bracket (2) installed on vehicle may differ from the one in the illustration.

- Loosen nut (3) compressing stabilizing rod spring. See Figure 12.

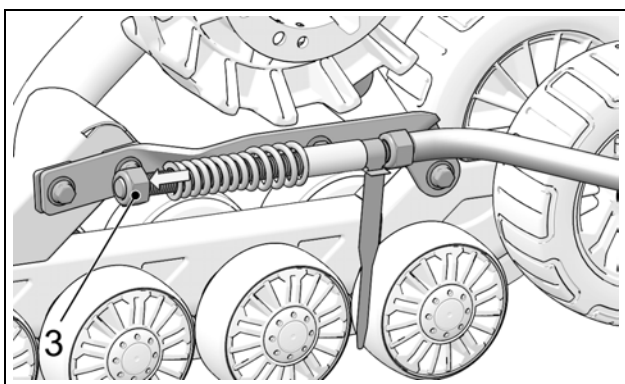


Figure 12

NOTE: Use wide part of adjusting template provided with stabilizing arm to make adjustment.

- Set nut (4) to obtain a distance of 19 mm between nut and stabilizing arm guide as shown on Figure 13.

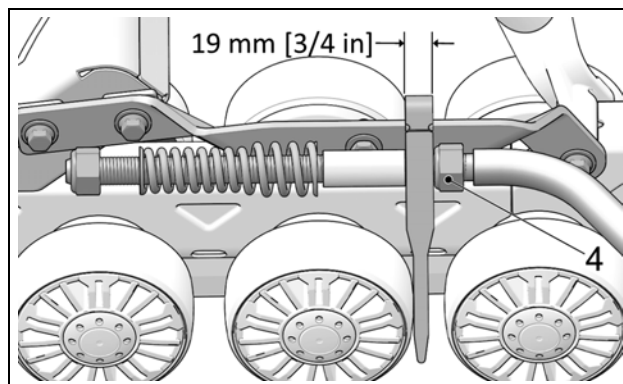


Figure 13

- Turn nut (3) until it comes in contact with spring, then compress spring by turning nut 1 1/2 turns. See Figure 14.

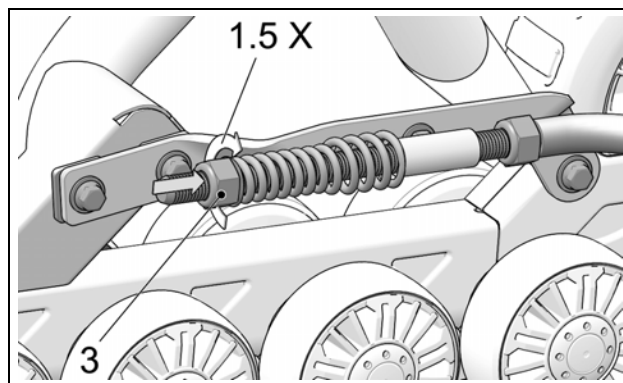


Figure 14

- IMPORTANT:** Double-check 19 mm minimum distance between nut and stabilizing arm guide. Re-adjust as needed. See Figure 15.

NOTE: Use provided template to double-check adjustment.

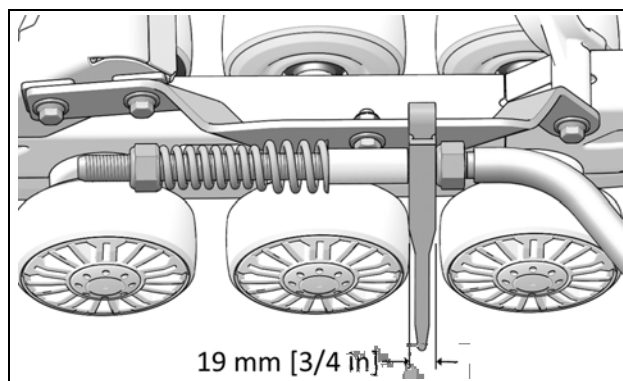


Figure 15

ADJUSTMENTS

INDEPENDENT SUSPENSION (IS)

- Stabilizing arm (1) must be attached to rear anchor bracket (2) installed on vehicle. See Figure 16.

NOTE: Actual Rear Anchor bracket (2) installed on vehicle may differ from the one in the illustration.

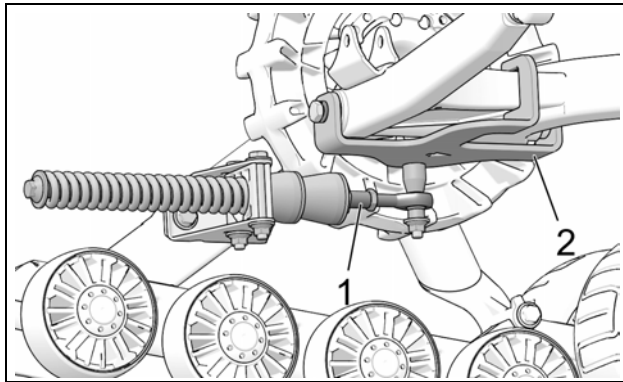


Figure 16

- Loosen anti-rotation bracket bolts (1) and (2) to allow anti-rotation retainer (3) to rotate on its axis. See Figure 17.

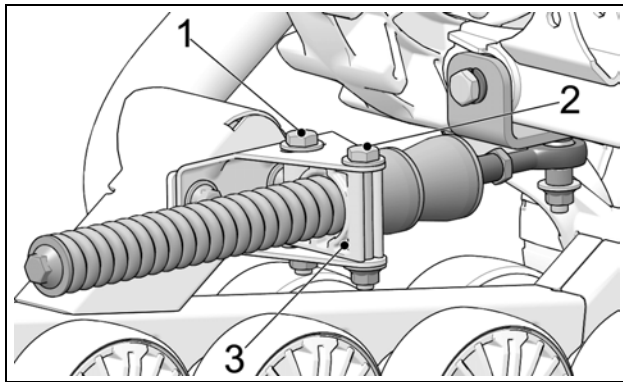


Figure 17

- Turn stabilizing arm nut to adjust length of rod end (1) and get rubber cone (2) to apply light pressure on anti-rotation retainer (3). See Figure 18.

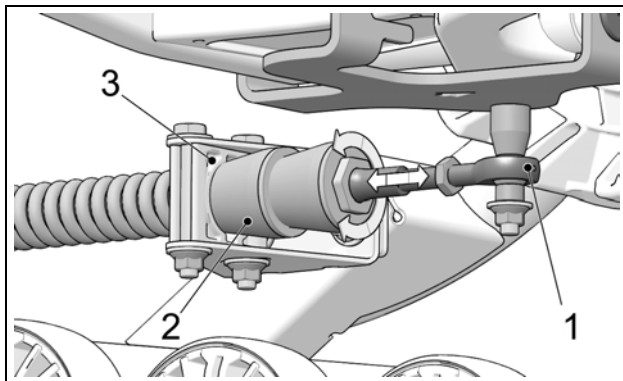


Figure 18

BASIC TUNING (Rear Track Systems):

- The adjustment is **incorrect** when the stabilizing arm's rubber cone is compressed and deformed. The stabilizing arm's spring is then difficult or impossible to turn by hand.

- Re-tighten jam nut (1) to 40 N•m [30 lb-ft] of torque when adjustment is complete. Figure 19.

CAUTION: Tighten jam nut to recommended torque specification. Overtightening nut might damage rod end.

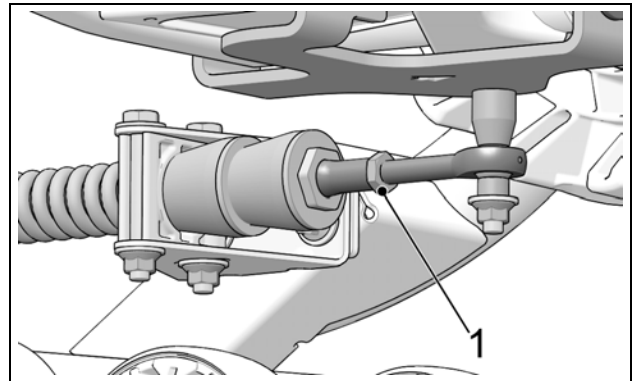


Figure 19

- Re-tighten anti-rotation bracket nuts (1) and (2) to 50 N•m [37 lb-ft] of torque. See Figure 20.

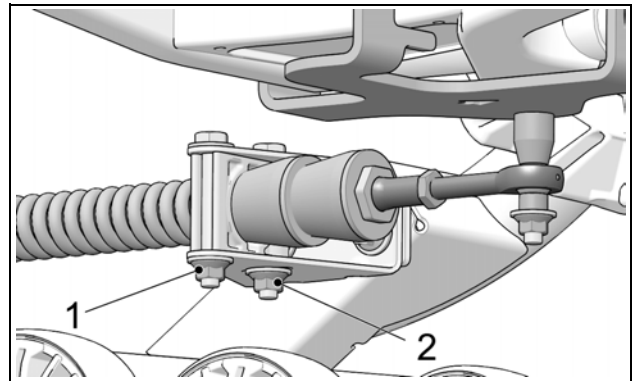


Figure 20

NOTE: Once angle of attack on rear systems is set, verify once again to confirm adjustment.

TRACK SYSTEM REMOVAL

CAUTION: Leaving the anti-rotation anchor brackets attached to the suspension arms, after having removed the Track Systems, could cause interference which might damage the vehicle. Remove all Track System anti-rotation mechanism components installed on the vehicle before reinstalling the wheels.

ALIGNMENT

Parallelism must be adjusted with the SxS on the ground, driving the vehicle forward about 3 meters [10 ft.] and measuring toe-in distance. Refer to Figure 21.

NOTE: Every time the measurement has to be taken, drive in reverse, then, drive forward again on about 3 meters [10 ft.].

CAUTION: Verify condition of the steering system components before adjusting parallelism. Damaged components can prevent proper adjustment and impair proper operation of the system.

CAUTION: The parallelism adjustment of the front Track Systems is very important and is directly linked to the longevity of the system components. Users must follow attentively the adjustment and verification recommendations of this manual.

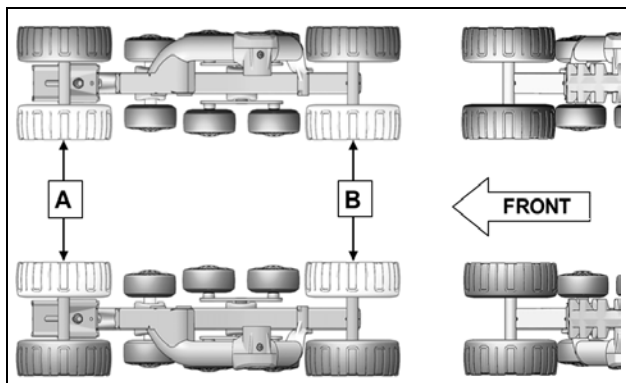


Figure 21

Dimension A: distance between inner front tires.

Dimension B: distance between inner back tires.

Dimension A must be equal to or greater than **dimension B** without exceeding **3 mm [1/8 inch]**.

A - B = 0 to 3 mm [1/8 inch]

Adjustment Method

To adjust the SxS's steering system, first loosen coupling rod nut (1), then screw or unscrew the coupling rod (2) an equal number of revolutions on both sides of the vehicle. See Figure 22.

NOTE: Starting with an open alignment setting provides a higher degree of precision in the adjustment.

CAUTION: Remember that some nuts have reverse threads before loosening a coupling rod nut (1) on the vehicle's steering system. Make sure to unlock the nut in the proper rotational direction.

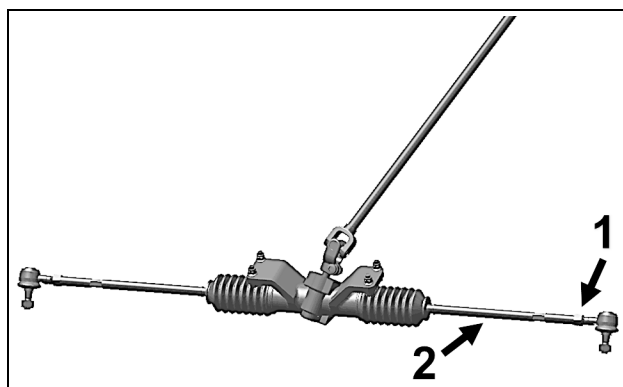


Figure 22

NOTE: Once parallelism on front systems is set, verify once again to confirm adjustment.

ADJUSTMENTS

Measure A: Measure the distance between the front inside Ø241 mm tires of the front Track Systems. See Figures 23, 24 and 25.

Measure B: Measure the distance between the rear inside Ø241 mm tires of the front Track Systems. See Figures 26, 27 and 28.

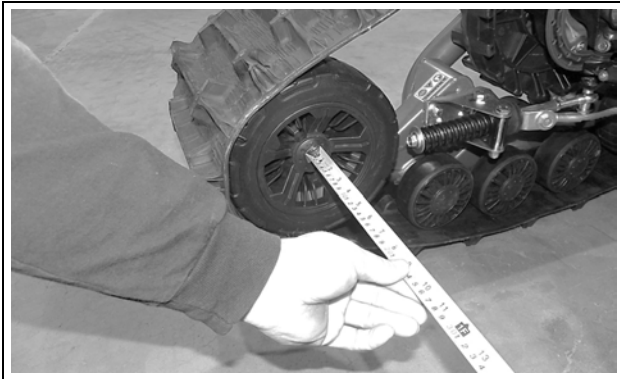


Figure 23

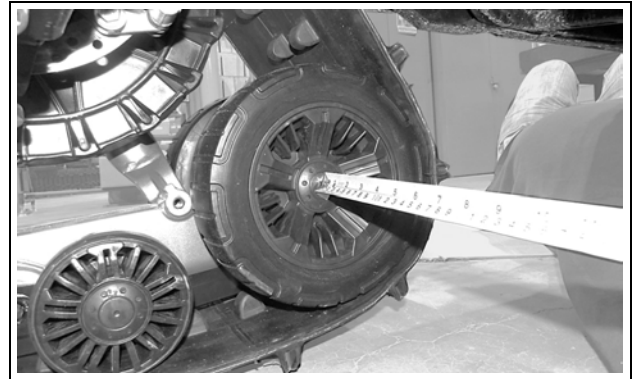


Figure 26

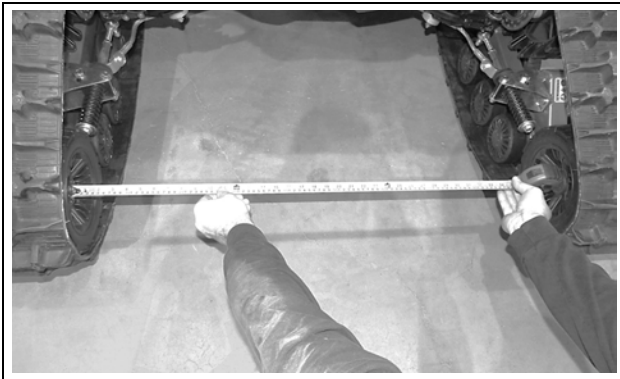


Figure 24 (Distance between front tires)



Figure 27 (Distance between rear tires)

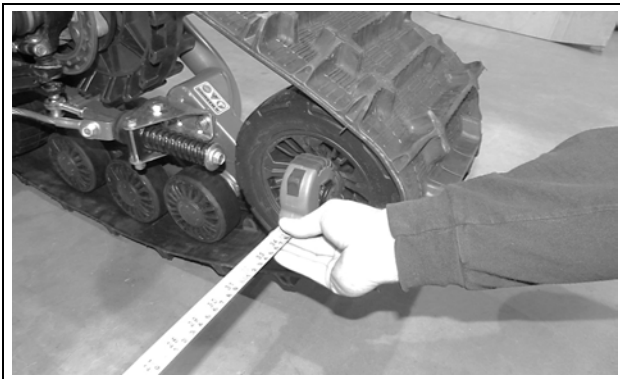


Figure 25



Figure 28

RUBBER TRACK TENSION

CAUTION: The Track Tensioner assembly bolt must be loosened to adjust track tension.

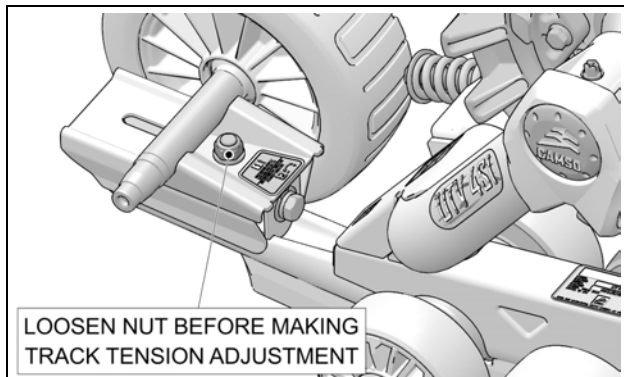


Figure 29

To adjust track tension, turn tension adjustment bolt clockwise or counterclockwise to obtain the recommended track tension. See Figure 30.

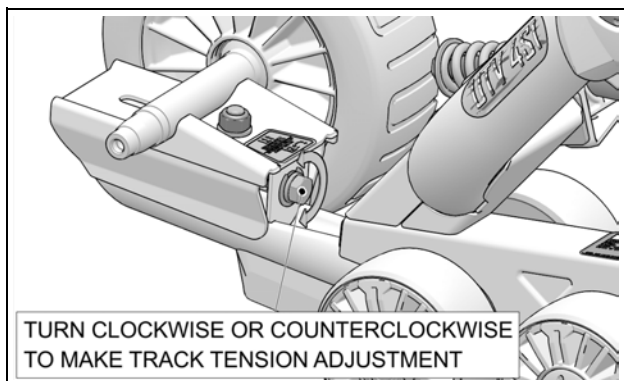


Figure 30

CAUTION: Make sure to re-tighten Track Tensioner assembly bolt after completing track tension adjustment.

The table below shows the force (1) applied and the deflection (2) which must occur to correctly set track tension. Refer also to Figure 32.

TRACK	FORCE	DEFLECTION
Front	13,5 kg (30 lb)	19 mm (¾ in.)
Rear	11 kg (24 lb)	19 mm (¾ in.)

BASIC TUNING

- A higher rubber track tension reduces the risk of “derailing” and reduces drive “ratcheting”.

NOTE: Track tension set too high could cause premature wear on system components and is therefore not recommended.

- A lower rubber track tension provides better traction, a smoother ride and better fuel economy.

NOTE: The track tension testing tool shown below in Figure 31 can be purchased through an authorized Camso dealer. The part number is 2000-00-3125.



Figure 31

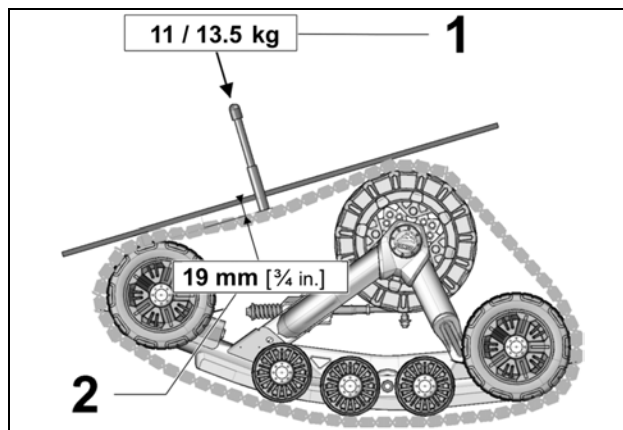


Figure 32

Final Check

Ride at slow speed on a distance of about 1.5 km [1 mile]. Re-adjust as required.

MAINTENANCE

WARNING

Do not insert hands or feet into or near the System unless the engine is off, and the vehicle is stopped with the security brake engaged.

CAUTION: Regular inspection, adjustment and lubrication of the Track Systems is essential to their good running order and safe operation. Users have the responsibility to perform maintenance and regularly adjust their Track Systems. The “Maintenance” section provides the necessary information to perform adequate maintenance on the Track Systems.









CAUTION: Failure to do regular maintenance at the prescribed intervals and perform the preventive adjustments indicated in the maintenance schedule can result in premature wear and important breakage on the Track Systems that will not be covered under the warranty. The user is responsible to follow the maintenance schedule provided by the manufacturer.

CAUTION: Camso recommends not using a brake cleaning solvent to clean the track system. This may damage sealing components and stickers.

The maintenance schedule has been established in order to provide optimum durability for your Track Systems. The type of usage and the conditions in which the Track Systems are used, have a direct bearing on the frequency of maintenance actions to perform. After inspection of your Track Systems, you will be able to determine if the recommended maintenance intervals are correct or to adjust them as needed.


For optimum performance and maximum durability, please refer to the maintenance chart below.

For more details on the maintenance program, consult the Maintenance specifications on page 18 and page 19.

MAINTENANCE	INITIAL	INTERVALS		
	FIRST USE	EVERY 25 ^A - 40 ^B HRS	EVERY 50 ^A - 75 ^B HRS	EVERY 200 HRS ^A / ANNUAL ^B
SYSTEM - VISUAL INSPECTION	CLEAN / INSPECT	CLEAN / INSPECT	CLEAN / INSPECT	CLEAN / INSPECT
SYSTEM - ADJUSTMENTS	ADJUST	INSPECT / ADJUST		INSPECT / ADJUST
SYSTEM - VEHICLE ALIGNMENT	ADJUST		INSPECT / ADJUST	INSPECT / ADJUST
SYSTEM - BOLT TORQUE				INSPECT / ADJUST
TRACK - TENSION	ADJUST	INSPECT / ADJUST		INSPECT / ADJUST
TRACK - WEAR				INSPECT
WHEELS - SIDE WEAR				INSPECT / REPLACE
WHEELS - BEARINGS			INSPECT / LUBRICATE	INSPECT / REPLACE
WHEELS - SEAL LUBRICATION 			INSPECT / LUBRICATE 	INSPECT / LUBRICATE 
FRAME - HUB BEARINGS 				INSPECT / REPLACE 
FRAME - HUB BEARING SEAL 			LUBRICATE 	INSPECT / LUBRICATE 
FRAME - TRACK GUIDE WEAR				INSPECT / REPLACE
FRAME - STABILIZERS			INSPECT	INSPECT / REPLACE
FRAME - CRACKS				CLEAN / INSPECT
SPROCKET - WEAR				CLEAN / INSPECT
ANTIROTATION - LUBRICATION			CLEAN / LUBRICATE	CLEAN / LUBRICATE
ANTIROTATION - BOLT TORQUE	INSPECT / ADJUST		INSPECT / ADJUST	
ANTIROTATION - CRACKS, DEFORMATION				INSPECT
VEHICLE - A-ARM BOLT TORQUE		INSPECT / ADJUST		INSPECT / ADJUST
VEHICLE - STEERING COLUMN		INSPECT / ADJUST		INSPECT / ADJUST

A : Commercial use / Industrial use / Abrasive conditions

B : Normal winter conditions

 Important maintenance

MAINTENANCE - TASKS

- **Inspect:** Component(s) must be examined with care. If an anomaly is noticed, the malfunctioning component(s) must be repaired or replaced.
- **Clean:** Component(s) must be cleaned of any dirt, dust or contaminant liable to impair the proper operation of the Track System.
- **Adjust:** Component(s) must be adjusted or re-adjusted according to the manufacturer's adjustment recommendations. Refer to the relevant section of the *User Manual*.
- **Lubricate:** Component(s) need to be lubricated according to the manufacturer's recommendations. Refer to the relevant section of the *User Manual*.
- **Replace:** Component(s) must be replaced to avoid serious breakage.

MAINTENANCE - SPECIFICATIONS

System

- **Visual Inspection:** Visually inspect each Track System to detect any defect or anomaly that can impair proper functioning of the systems.
- **Adjustment:** Perform or verify angle of attack adjustments on the systems according to the manufacturer's recommendations. Refer to the *Adjustments* section on page 10.
- **Vehicle Alignment:** Perform or verify the vehicle alignment with the Track Systems installed. Follow the manufacturer's recommendations. Refer to the *Alignment* section on page 14.
- **Bolt Torque:** Check the torque of critical bolts identified in the exploded views of the system. Refer to the central pages of the *User Manual*.

CAUTION: Comply with the tightening torque recommendations and use a thread locker product if you come across a bolt that is not tightened to the manufacturer's recommendations.

Track

- **Tension:** Perform or check track tension on the systems according to the manufacturer's recommendations. Refer to "Rubber Track Tension" in the *Adjustments* section on page 16.
- **Wear:** Check wear and overall condition of the tracks on the Systems. Refer to "Wear" in the *Maintenance* section on page 24.

CAUTION: A damaged track can result in premature wear of Track System components.

Wheels

- **Side Wear:** Check side wear on Track System wheels. Replace wheel(s) if wear is too great. Refer to "Wear" in the *Maintenance* section on page 24.
- **Bearings:** Check wheel bearings for restriction, noise or abnormal play in rotation. Replace bearing if it shows one of these defects.
- **Wheel Seal Lubrication:** Wheel seals must be cleaned of any dirt or contaminant and lubricated according to the manufacturer's recommendations. Refer to "Lubrication" in the *Maintenance* section on page 21. **If a seal shows damage or any defect, it must be replaced.**

NOTE: Installing new seals when doing wheel maintenance is recommended.

NOTE: Lubrication done at the recommended intervals allows the wheel seals to maintain optimal sealing action and prolongs the useful life span of the wheels.

Frame

- **Hub Bearings:** Check hub bearings for restriction, noise or abnormal play in rotation. Bearings must absolutely be replaced if they present a defect.

CAUTION: If a hub bearing shows a defect, replace all 3 hub bearings and replace hub bearings on all 4 Track Systems at the same time.

MAINTENANCE

- **Hub Bearing seal:** The maintenance chart recommends cleaning and lubricating the hub seal. Refer to “Lubrication” in the *Maintenance* section on page 22.

NOTE: Lubrication done at the recommended intervals allows the hub seal to maintain optimal sealing action and prolongs the life span of the hub bearings.

- **Track Guide wear:** Check wear on Track Guides. Replace guides if wear is too great. Refer to “Wear” in the *Maintenance* section on page 24.
- **Stabilizers and Wheel Shafts:** Check condition of vulcanized rubber envelopes around Stabilizers and Wheel Shafts embedded in the frame. Stabilizers and Wheel Shafts must be perfectly centered in the frame. Lateral play may indicate that the envelope no longer strongly adheres to the Stabilizer or Wheel Shaft. Replace problem component if it is not well supported in the vulcanized rubber envelope. Refer to “Wear” in the *Maintenance* section on page 25.
- **Cracks:** Visually inspect the frames for presence of cracks or defects that can impair proper operation of the Track Systems. Replace components if damaged.

Sprockets

- **Wear:** Check wear of sprockets on the Systems. Replace if wear is too great. Refer to “Wear” in the *Maintenance* section on page 25.

Anti-rotation

- **Lubrication:** The maintenance chart recommends cleaning and lubricating the anti-rotation arms. Refer to “Lubrication” in the *Maintenance* section on page 23.
- **Bolt Torque:** Verify torque of assembly bolts on anchor brackets and anti-rotation arms at the recommended intervals specified by the maintenance chart.
- **Cracked or bent parts:** Visually inspect anti-rotation arms for presence of cracked or bent parts that can impair proper functioning. Replace components if damaged.

- **Rubber Dampers:** Verify condition of rubber dampers on anti-rotation arms. Replace dampers if they are deformed, cracked or show severe wear. Refer to “Wear” in the *Maintenance* section on page 25.

CAUTION: When pressure washing the Track Systems, care must be taken to keep the water stream away from wheel and hub bearing seals and from rubber caps.

CAUTION: Hub bearings should be checked and replaced in accordance with the maintenance chart. Bearings that present abnormal play, make noise or restrict rotation of hub are indications that they must be replaced.

CAUTION: Use a breaker bar to remove the hub assembly bolt. Do not use an air impact wrench. It might cause the bolt to break.

CAUTION: Always replace washer and hub assembly bolt when removing the hub from the frame. Use new fasteners at reassembly.

NOTE: Pour 8 to 12 cc of 80w90 oil through hole on top of hub housing intended for this purpose. Refer to “Lubrication” in the Maintenance section on page 22.

SPECIAL TOOLING

Wheel Extractor

Camsco Part Number: 2000-00-1050

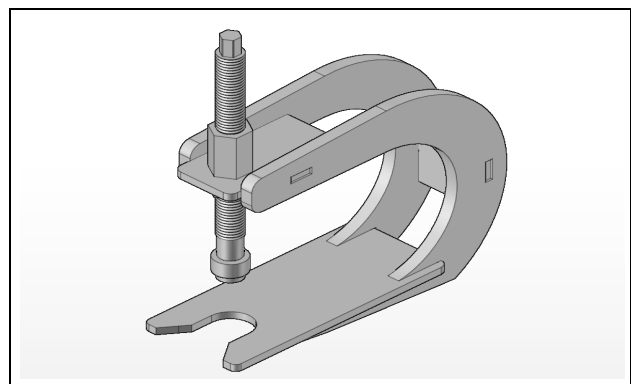
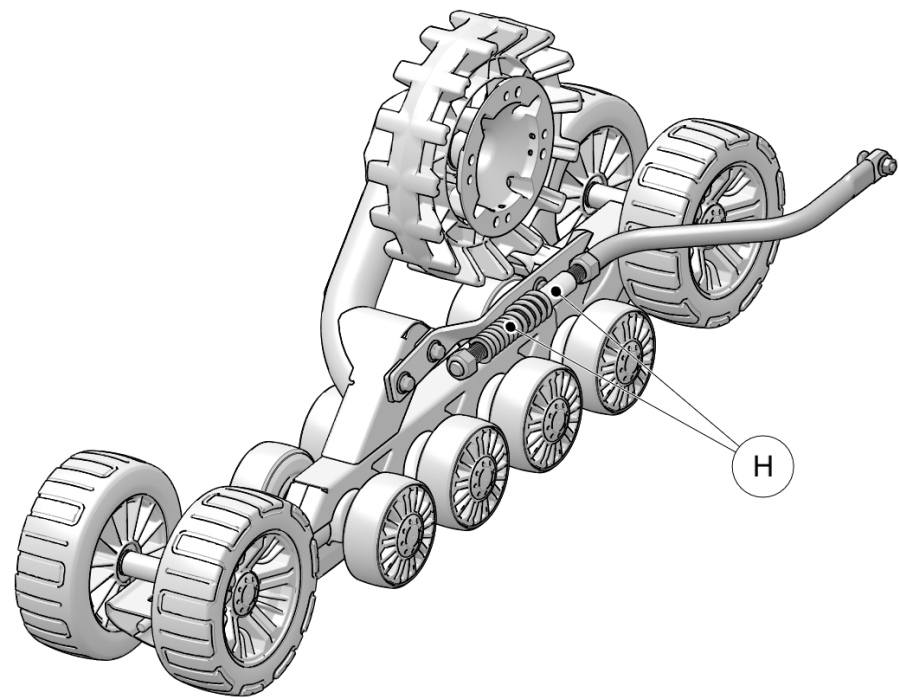
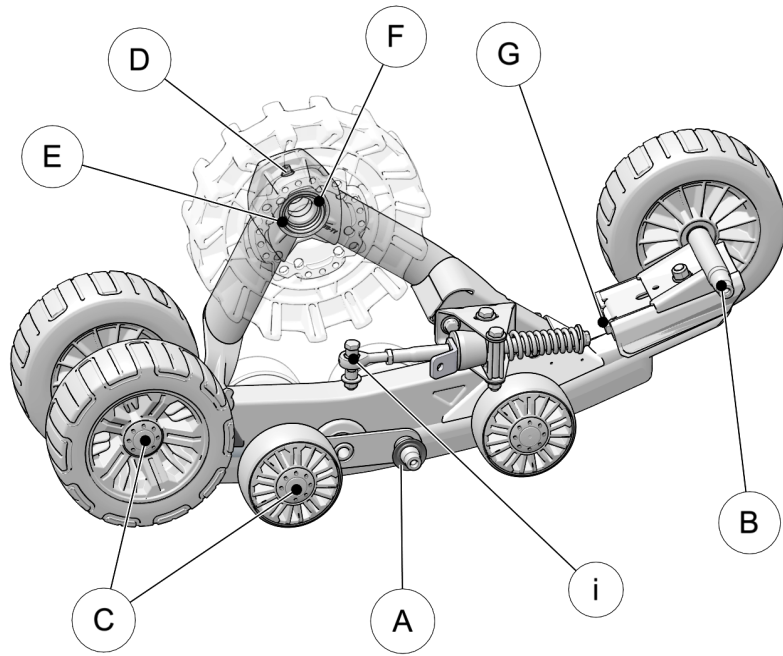


Figure 33

NOTE: The Wheel Extractor cannot be used to extract Stabilizer wheels.

LUBRICATION

- A** WHEEL SEALS
- B** WHEEL SHAFTS
- C** WHEEL
- D** HUB HOUSING
- E** HUB SEALS
- F** HUB - SPEED SLEEVE
- G** TRACK TENSIONER
- H** ANTI-ROTATION ARMS
- i** ROD ENDS



LUBRICATION

The maintenance chart on page 17 includes lubrication maintenance that must be performed on Track Systems. Refer to the following recommendations for optimal lubrication.

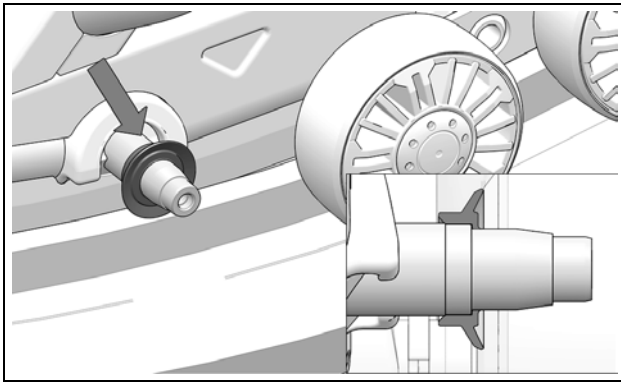
NOTE: Use a grease designed for operation in cold temperature and in extreme and wet environments.

REFERENCE "A"

WHEEL SEAL LUBRICATION

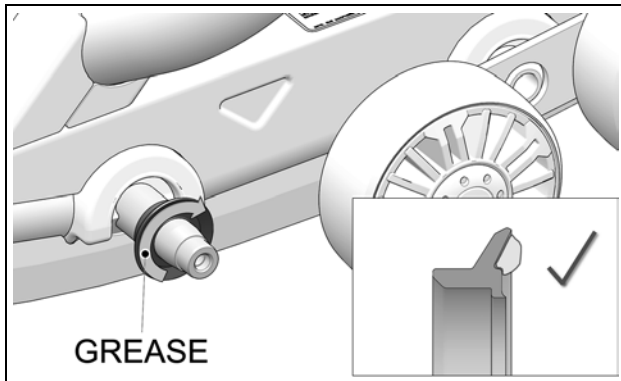
Install new seal on clean, dry wheel shaft at position shown below.

NOTE: Installing new wheel seals is recommended when lubricating these components.



Apply evenly 3 to 3.5 cc of grease all around the wheel seal's V-shaped groove.

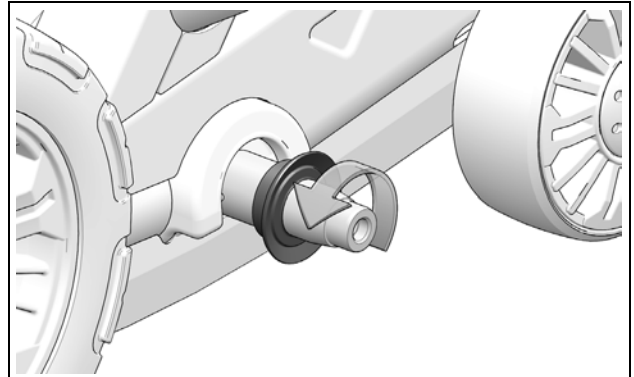
NOTE: V-shaped groove must be filled with grease.



REFERENCE "B"

WHEEL SHAFT LUBRICATION

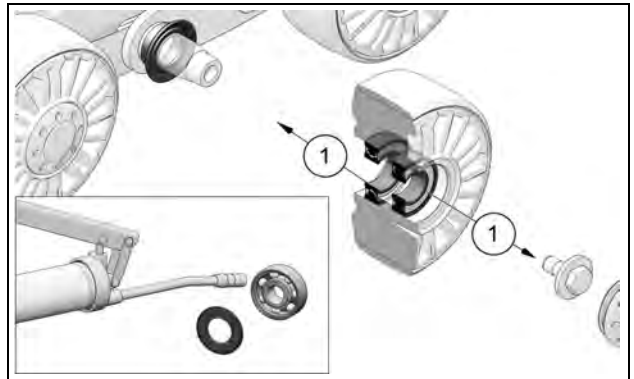
Apply evenly 1 to 1.5 cc of grease on the wheel shaft, over the entire circumference (360°) and width.



REFERENCE "C"

WHEEL BEARING LUBRICATION

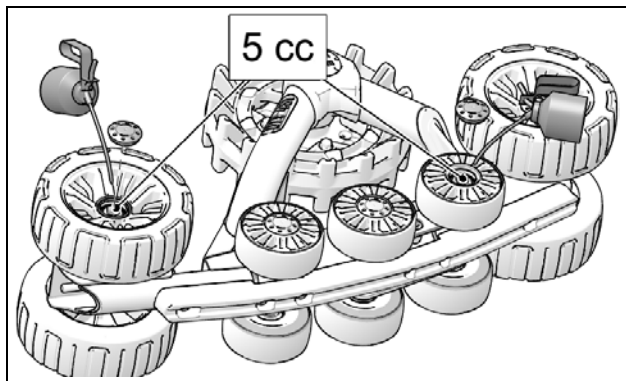
Unbolt wheel from frame and carefully remove exterior bearing seal (1) of both bearings. Clean off old lubricant and pack with new grease. Lastly, re-install seals over matching bearings.



CAUTION: Take special care to avoid damaging the bearing seals when you remove and reinstall them.

WHEEL LUBRICATION

Camsco recommends pouring 5 cc of oil under the wheel caps and between the wheel bearings, at every maintenance interval. This will help minimize the presence of contaminants and extend wheel bearing life.



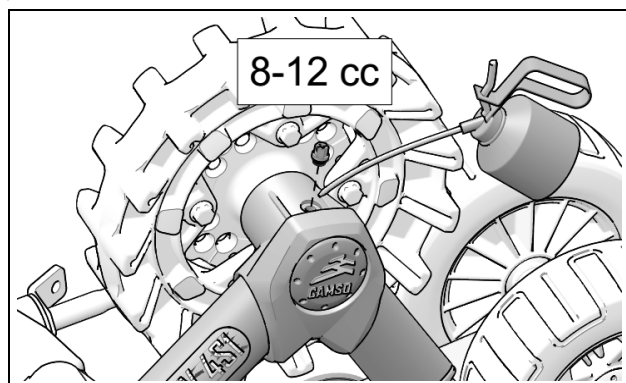
REFERENCE "D"

HUB LUBRICATION

Following replacement of hub bearings and/or re-installation of hub, pour 8 to 12 cc of oil through hole on top of hub housing intended for this purpose.

NOTE: Use a SAE 80W-90 grade oil designed for high pressure applications.

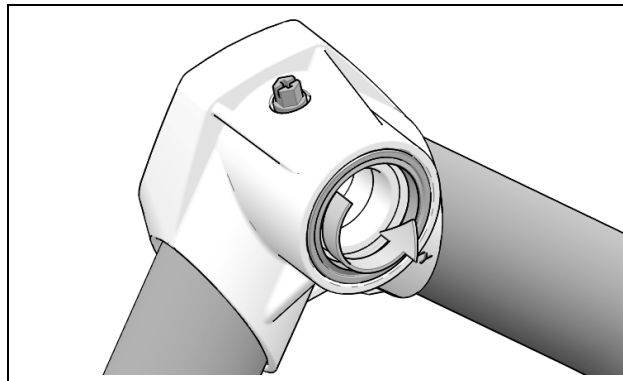
CAUTION: Do not exceed the recommended quantity of oil.



REFERENCE "E"

HUB BEARING SEAL LUBRICATION

Apply evenly 1.5 to 2 cc of grease between the hub seal lips and on its the entire circumference (360°).



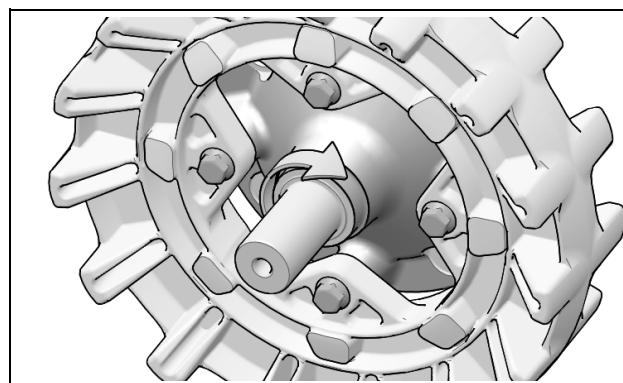
IMPORTANT: The hub seal must be installed flush with the hub face.

CAUTION: Replace hub seal immediately if defective.

REFERENCE "F"

LUBRICATION OF HUB SPEED SLEEVE

Apply 1.5 to 2 cc of grease over the entire width and circumference (360°) of the hub Speed Sleeve.

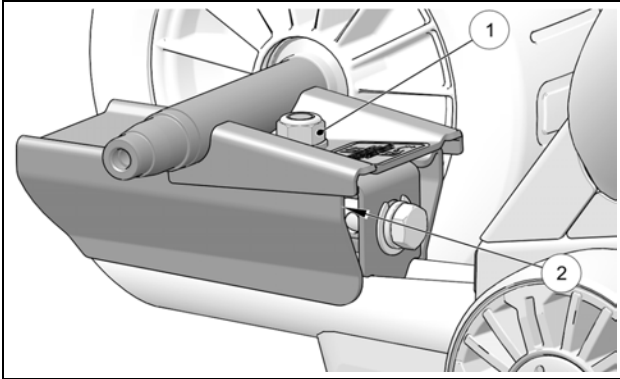


CAUTION: Replace Speed Sleeve immediately if it shows wear.

REFERENCE "G"

TRACK TENSIONER

Loosen Track Tensioner assembly bolt (1). Apply aerosol grease through openings on each side of Track Tension adjustment bolt (2).



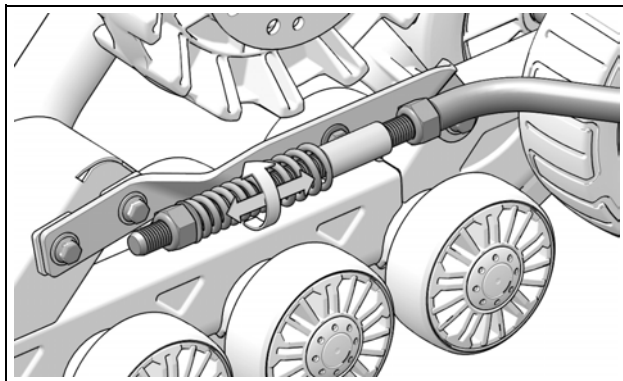
NOTE: Following application of grease, rotate adjustment bolt to move Track Tensioner to its maximum and minimum positions. Re-adjust Track tension afterwards. For more details, refer to "Rubber Track Tension" section on page 16.

REFERENCE "H"

STABILIZING ARM LUBRICATION

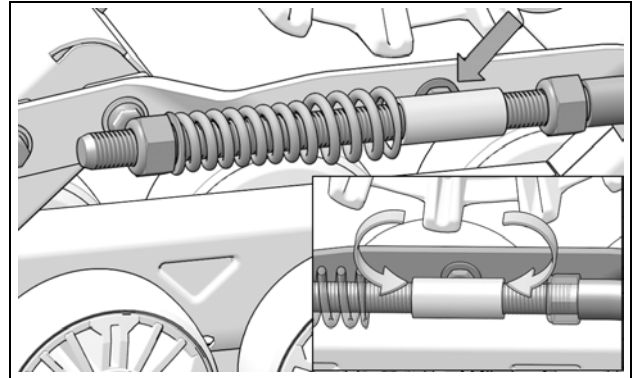
Clean and apply spray lubricant all around Rear Stabilizing arm compression spring on vehicles equipped with a rigid rear axle suspension.

REAR SYSTEMS - RIGID AXLE SUSPENSION



LUBRICATION OF STABILIZING ARM GUIDES - RIGID SUSPENSION

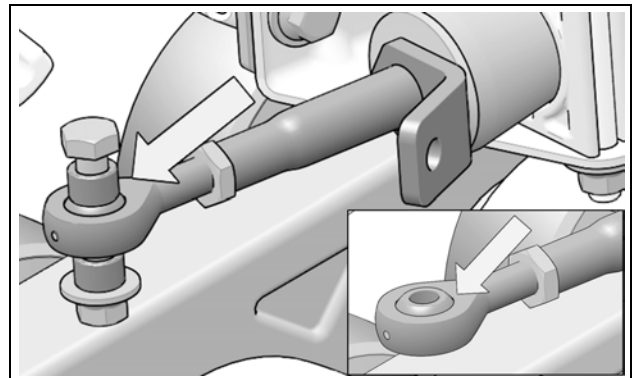
Apply spray lubricant to the Stabilizing Arm guide and threaded shaft, on Track Systems with an anti-rotation mechanism designed for vehicles with a rigid rear axle suspension.



REFERENCE "i"

LUBRICATION OF STABILIZING ARM ROD ENDS

Clean and apply spray lubricant to rod ends of Stabilizing Arms.



WEAR

Wheels

Verify wear on wheels especially on the interior guidance strip. The wheel must be replaced if the inner surface (1) is perforated or when the wheel's rolling band narrows to a width of less than 45 mm. A wheel that is excessively worn will not offer enough support to guide the track. Track guides may also wear prematurely. Figure 34.

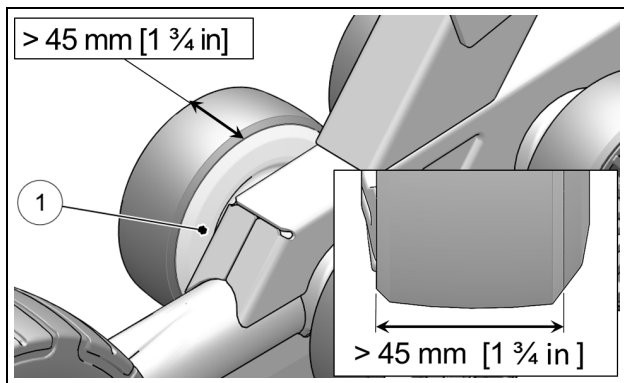


Figure 34

Urethane Tires

Verify wear on the Urethane Tires especially on the interior guidance strip (1) and between the tire profiles (2). The wheel must be replaced if the inner surface is worn out or the tire is cracked between the tire profiles. A wheel that is excessively worn will not offer enough support for track guidance. Track guides may also wear prematurely. Figure 35.

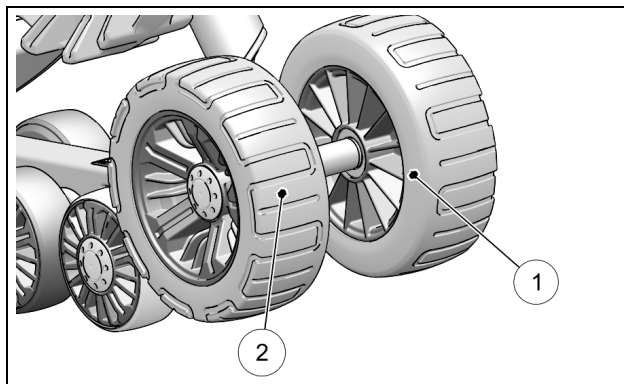


Figure 35

Track

Verify wear on Track by inspecting rolling path, driving lugs, the profile and the internal and external condition of the Track's carcass. Make sure that the Track's internal structure is not visible at cuts or in worn areas. See Figure 36.

CAUTION: Too much wear could cause damage to the Wheels and to the Track guide.

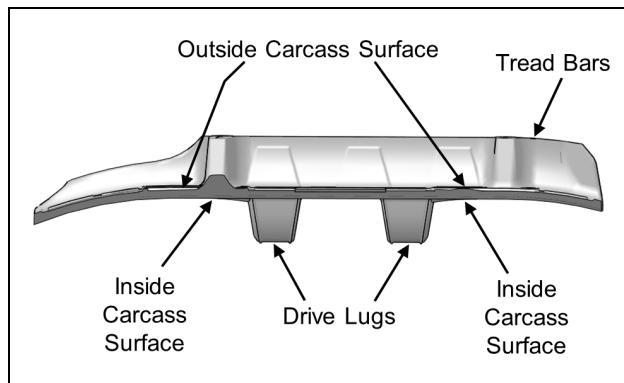


Figure 36

Track Guide

Verify wear on the Track Guide by measuring the width of the guide rails. If rail dimensions, illustrated in Figure 37, are less than 5 mm, at any point along the Track Guide, replace the part. If the guide rails are worn to the point that the concave shape is no longer visible, replace the part.

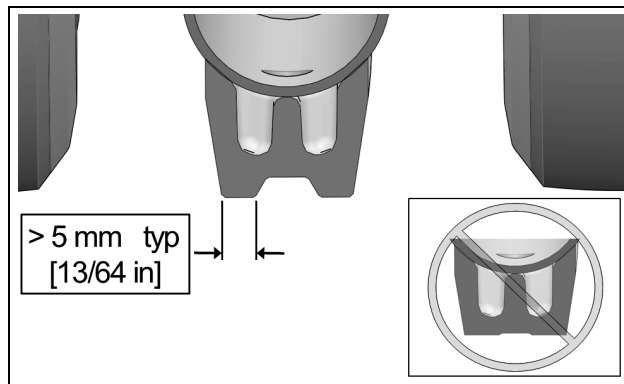


Figure 37

CAUTION: An overly worn Track Guide could cause premature wear on other guidance components of the system.

Rubber Dampers (Stabilizing arms)

Check wear and damage on rubber dampers (1) mounted on the stabilizing arms. Replace them if they show cracks or are excessively worn or deformed. See Figure 38.

CAUTION: Improperly adjusted Track systems can deform and damage the Rubber Dampers as well as impair proper operation.

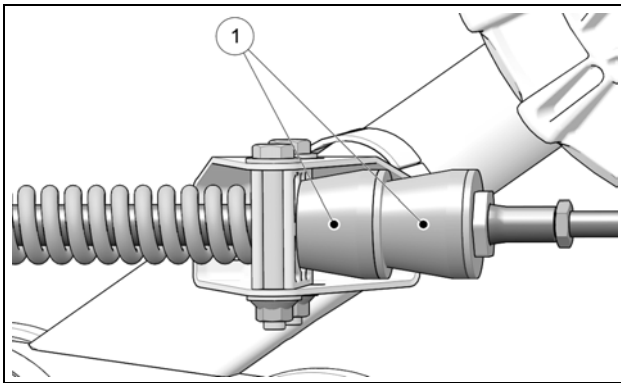


Figure 38

Sprocket

Check wear on Sprocket by measuring sprocket teeth as illustrated on Figure 39. Replace sprocket if dimensions are less than 19 mm.

CAUTION: Excessive wear could lower track drive efficiency and reduce System performance.

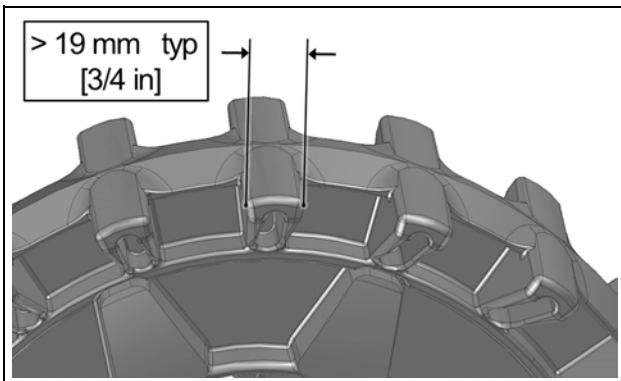


Figure 39

CAUTION: In order that wear on sprockets be produced evenly across all 4 sprockets, the vehicle should be driven in 4x4 mode, especially in abrasive conditions.

Vulcanization - Stabilizer and Wheel Shaft

Verify if vulcanized rubber supports (1) on Stabilizers (2) and Wheel Shafts (3) are well secured and are not showing signs of detachment (ungluing) between components. Figure 40.

CAUTION: Replace part if vulcanized rubber component is ungluing from metal tubing. Using the parts when the bond between the two components is broken can result in wear and important damage to the Track Systems.

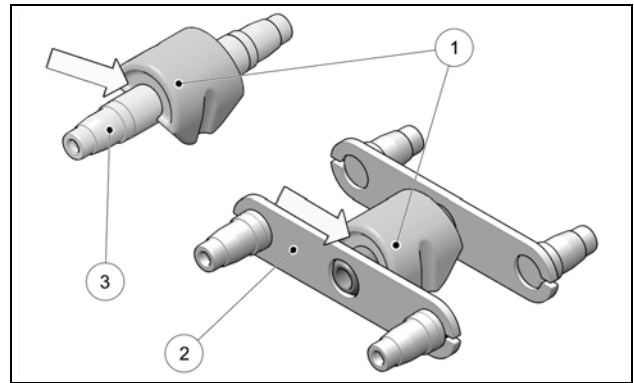


Figure 40

Anti-rotation

Verify wear on ball joint of Stabilizing Arm to make sure that it is not seized or too loose. Figure 41.

CAUTION: A damaged ball joint can impede Track System adjustments and result in damages to the Track Systems and to the Vehicle if not replaced.

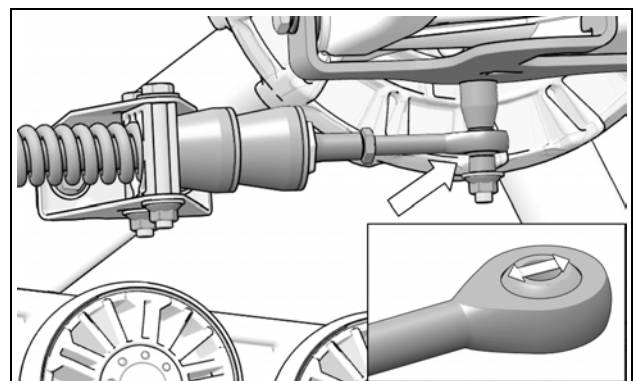


Figure 41

2-YEAR LIMITED WARRANTY

Camso guarantees that the new, unused **Camso® UTV 4S1** System (System) installed by an authorized dealer or distributor is free from any defects in materials and workmanship during the period and in conditions described below. When operating a new **Camso® UTV 4S1** System, the user agrees that the present form is applicable and exclusive, that they have been signified and that they have been accepted by him/her at the time of purchase.

The SxS **Camso® UTV 4S1** Track System is covered by a manufacturer warranty (warranty). The warranty covers manufacturing defects related with materials and workmanship. The installation and maintenance of the System is always the responsibility of the owner.

PERIOD OF COVERAGE

The warranty is valid for a period of twenty-four (24) months following the date of purchase. This warranty does not apply to normal maintenance.

The warranty applies exclusively to parts and components of the Track System. All paint defects on the System (frames and components) are not covered.

The warranty is not valid if the System is not installed by an authorized Camso network dealer or distributor.

This warranty specifically excludes any damage or breakage to the SxS and related defects on the SxS, whether or not these were caused or believed to be caused by the System.

The manufacturer is not responsible for damages, injuries or loss caused at the time of or after installing of the System on the vehicle.

For a warranty to be valid, the System owner must comply with manufacturer notices and warnings. In addition, all claims must be accompanied by a proof of purchase (original receipt or sale contract) and work or repairs must be performed by an authorized Camso dealer. All claims not previously approved and authorized by Camso will be rejected.

The following situations and items are not under any circumstances covered by the warranty:

- 1) Any and all consequential damages, including, but not limited to, indirect costs, such as towing, storage, phone calls, renting, transportation, inconveniences, insurance coverage, reimbursement of loss, loss of time and loss of revenue, etc.
- 2) Damage resulting from faulty installation.
- 3) Damage resulting from normal parts wear or progressive deterioration owing to the distance covered with a vehicle on which the System is installed.
- 4) Damage resulting in non-compliance with the user manual and with maintenance instructions recommended in the user's manual and other technical documents.

5) Damage resulting in abusive use, abnormal use, negligence or even a use which does not comply with recommendations of the manual, excess weight or loading, including excessive number of passengers.

6) Labor costs, parts and materials related any and all maintenance costs.

7) Damage resulting from faulty repairs, improper maintenance or any unauthorized changes made to the System other than those specified by the manufacturer or from the installation of non-original or unauthorized parts that were not produced or approved by Camso.

8) Damage resulting from an accident, incident, robbery, vandalism, war or unforeseen event or act of God.

9) Regardless of cause, damage resulting from inexperience, driving errors, accident or other incident.

10) The use of the System on a vehicle used for public rental, including by a previous owner, will render this warranty null and void.

11) The use of the System in races, rallies or other competitive events/activities of this type, at any time, including from a previous owner or in conditions that do not comply with those described by the manufacturer will render the warranty null and void.

Any repaired or replaced components or parts are guaranteed only to the extent of the original warranty. In other words: if a warranted part was replaced after nine (9) months, the new replacement part will only be guaranteed for fifteen (15) months, for a total of twenty-four (24) months. Any claim for a track will be established according to its residual value, 100% during the first 12 months, 75% between 12 and 18 months and 50% between 18 and 24 months. The residual value will have to be applied in the form of reduction to the purchase of a track of replacement at regular price. In no event shall the warranty extend beyond a total of twenty-four (24) months from the date of original System purchase.

In all cases, the warranty is limited to a maximum of the original purchase price or the fair market value of the System. Camso will have final authority in determining the fair market value of a used System. The warranty is applicable within the limits and conditions initially contracted. If the System is determined to be unusable due to accident or improper repair, the warranty will be considered null and void without further recourse available to the System owner.

The manufacturer, the retailer and/or the repair shop shall not be held responsible for any delays caused by material, parts or components availability or backorder.

*Shipping and handling costs, as well as any fees related with shipping or transportation of the System to the dealer location are the responsibility of the System owner.

Camso reserves its sole and exclusive right to update or modify this warranty without impact on end users. All previous terms and conditions of the warranty at time of purchase will be respected.

TROUBLESHOOTING

TROUBLESHOOTING		
Problem	Potential cause	Correction
Abnormal vibration	Presence of debris in the system.	Remove any debris which could prevent proper operation of the system.
	Severe and localized wear of a wheel (flat spot).	Replace part.
	Frozen sprocket or wheel.	Remove the ice/snow build-up. Storing the vehicle at temperatures higher than 0 °C might be required. Surface wear on components augments adherence of ice/snow on parts. Replace the worn components.
	Beginning of derailing.	Verify if tensioner assembly nut is adequately tightened.
		Check wear on tires, wheels, track guide and track drive lugs.
	Presence of dirt between wheel hub and track system hub could cause incorrect seating of mating surfaces when installing track system.	Remove system and clean contact surfaces between hubs.
	Hub or wheel bearing damaged.	Replace damaged wheels or bearing.
	Wheel Hub or track system hub deformed following an impact or abusive use	Replace deformed part
	Incorrect adjustment of angle of attack on track system.	Adjust angle of attack according to manufacturer's specifications. (See the "Adjustments" section in the <i>User Manual</i>)
	Unstable behavior	Track tension too high
Wrong alignment of the system		Correct the system alignment (See the "Adjustments" section in the <i>User Manual</i>)

<p>Overheating of system guiding components (burned rubber odor)</p>	<p>Tire(s) or wheel(s) blocked</p>	<p>Try to free the wheel and replace if necessary</p>
	<p>Wrong alignment of the system</p>	<p>Correct system alignment (See the "Adjustments" section in the <i>User Manual</i>)</p>
	<p>Constant turn</p>	<p>Vary your turning radius and seek areas which can lubricate the system</p>
	<p>Uninterrupted use of the system in rutted paths.</p>	<p>Vary your line (out of the ruts) and seek areas which can lubricate the system</p>
<p>Loss of power</p>	<p>Lower track tension.</p>	<p>Lower track tension.</p>
	<p>Clean the sprocket of mud, snow or any contaminants build-up.</p>	<p>Clean the sprocket of mud, snow or any contaminants build-up.</p>
	<p>Remove ice/snow build up on wheels or tires.</p>	<p>Remove ice/snow build up on wheels or tires.</p>
	<p>Clear frame and wheels of compacted snow.</p>	<p>Clear frame and wheels of compacted snow.</p>
	<p>Remove snow and immediately contact the dealer to fix the situation.</p>	<p>Remove snow and immediately contact the dealer to fix the situation.</p>
<p>Partial or total derailing</p>	<p>Verify if tensioner assembly nut is adequately tightened.</p>	<p>Verify if tensioner assembly nut is adequately tightened.</p>
	<p>Check wear on track guide, inside driving lugs and wheels/tires.</p>	<p>Check wear on track guide, inside driving lugs and wheels/tires.</p>
	<p>Adjust track tension on systems.</p>	<p>Adjust track tension on systems. (See the "Adjustments" section in the <i>User Manual</i>)</p>
	<p>Adjust angle of attack on track systems and vehicle alignment according to manufacturer's specifications.</p>	<p>Adjust angle of attack on track systems and vehicle alignment according to manufacturer's specifications. (See the "Adjustments" section in the <i>User Manual</i>)</p>
<p>Insufficient snow floatation</p>	<p>Adjust angle of attack according to manufacturer's specifications.</p>	<p>Adjust angle of attack according to manufacturer's specifications. (See the "Adjustments" section in the <i>User Manual</i>)</p>
	<p>Worn or damaged rubber damper on stabilizing rod.</p>	<p>Worn or damaged rubber damper on stabilizing rod.</p>

"CE" DECLARATION OF CONFORMITY



CE DECLARATION OF CONFORMITY

WE:

MANUFACTURER : Camso Inc.
ADDRESS : 4162, rue Burrill, Local A
Shawinigan (Québec), Canada G9N 0C3
PHONE :
FAX :
WEB SITE : www.camso.co

HEREBY DECLARE THAT THE PRODUCT SERIES:

PRODUCT : UTV 4S1 Track System
CUSTOMER :

IS IN CONFORMITY WITH THE FOLLOWING STANDARDS:

NUMBER :	TITLE:	DATE:
EN 62079	Preparation of Instruction	2001
EN 12100-1 & -2	Safety of Machinery	1996
EN 17050-1 & -2	Conformity Assessment	2005

AND IN CONFORMITY WITH THE FOLLOWING EC DIRECTIVE:

NUMBER :	TITLE:	DATE:
2006/42/EEC	Safety of machinery directives	2006

DONE AT:

Shawinigan (Québec), Canada

PERSON IN-CHARGE: _____

TITLE: _____

SIGNATURE: _____

DATE: _____



PATENTS

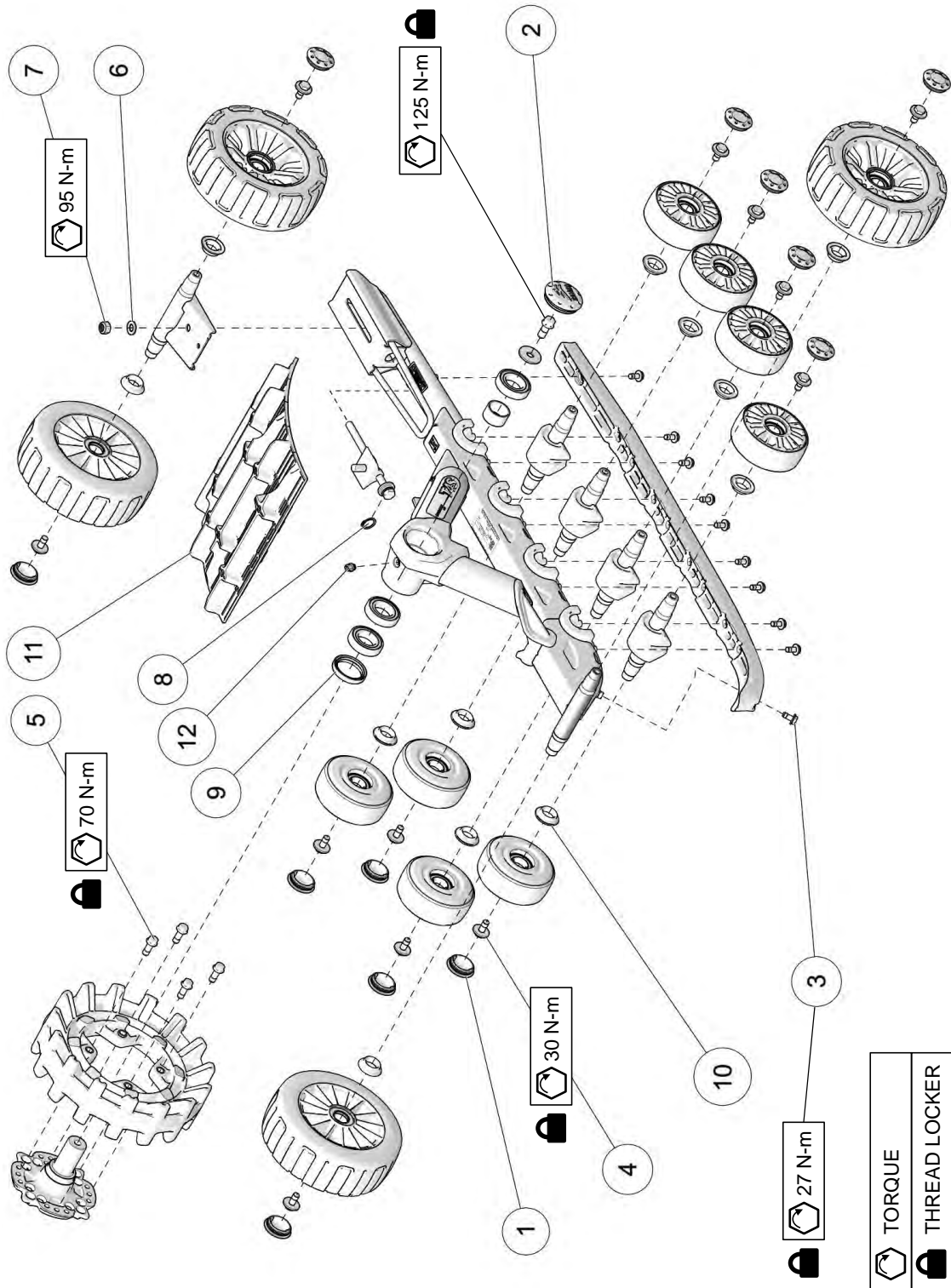
The Camso UTV 4S1 System is covered by the following patents:

- CA 2 405 908
- CA 2 493 181
- CA 2 822 562
- CA 2 825 509
- CA 2 552 119 *
- CA 2 770 498 *
- US 6 935 708
- US 7 229 141
- US 8 347 991
- US 8 662 214
- US 9 033 430
- US 7 708 092 *
- US 8 297 383 *

* inventor: Jean Després

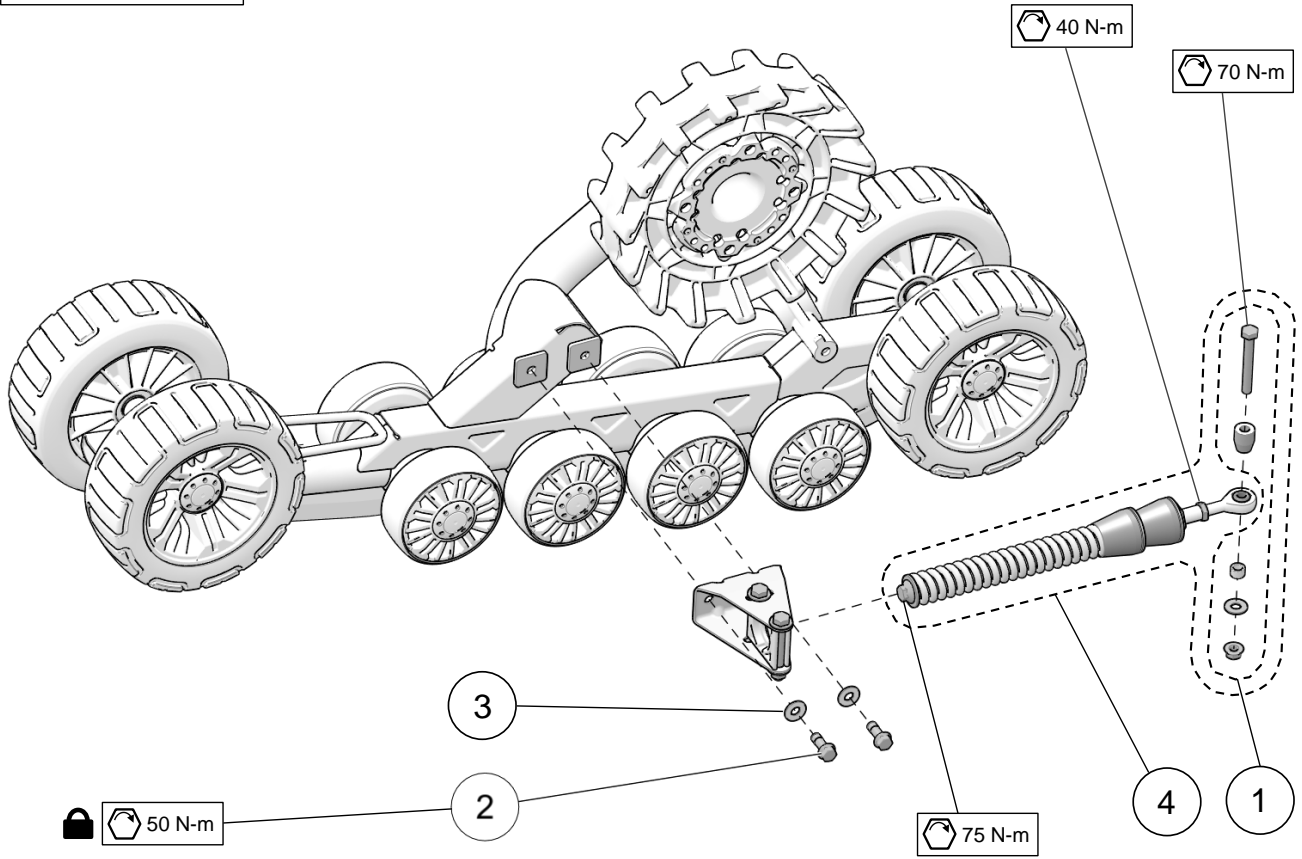
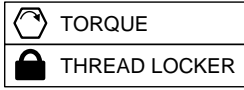
ITEM #	PART #	DESCRIPTION	QTY
		CAMSO UTV 4S1 MY2020 :: FRONT LEFT & RIGHT	
1	1017-00-0042	WHEEL CAP / CAPUCHON DE ROUE	10
2	1017-00-7150	HUB CAP ASSY BLUE / CAP DE MOYEU BLEU ASSEMBLÉ	1
3	1033-08-2020	HCSW, M8-1.25X20, 8.8, ZP, TL, DIN933	6
4	1033-10-2026	HCSW, M10-1.5X25, 8.8, ZP, TL, DIN933	10
5	1033-AS-0025	STABILIZ. ROD SHORT BOLT KIT / ENS. BOULON COURT BRAS STABILIS.	1
6	1036-10-4030	HFSCS, M10-1.5X30, 10.9, ZP, TL, DIN 6921	6-7
7	1051-00-0024	WASHER, SLIDE / RONDELLE, GLISSIÈRE	2
8	1060-00-0004	W, 7/16X1.0X0.072, 8, ZP, USS	2
9	1060-12-0002	W, 24X13X2.5, ZP, DIN125A	1
10	1071-12-0001	NN, M12-1.75, ZP, DIN982	1
11	1083-00-0090	BUBBLE LEVEL / NIVEAU À BULLE	1
12	1091-00-0004	ERR, 15, 1.5, DIN6799	1
13	1093-00-7002	DOUBLE LIPS SHAFT SEAL / JOINT ÉTANCHE DOUBLE	1
14	1093-00-7025	UTV WHEEL SEAL / JOINT ROUE UTV	10
15	1093-00-9278	FRONT UTV TRACK / CHENILLE AVANT UTV -- 12.5 x 98 x 1 (9278S)	1
16	1433-10-0001	HHP, M10-1	1
17	7001-00-8902	STABILIZING ROD ASS'Y / BRAS STABILISATEUR ASSEMBLÉ	1

PARTS LIST





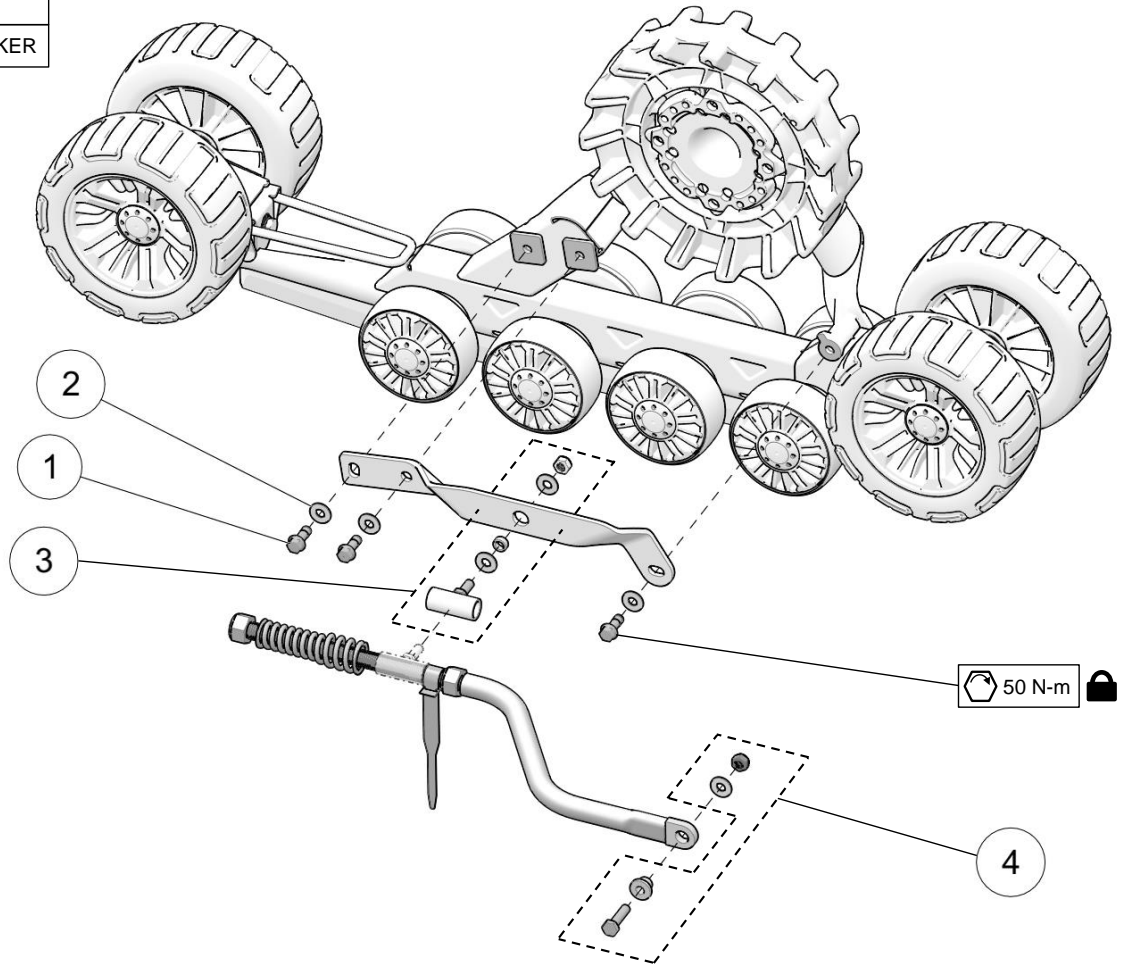
ITEM #	PART #	DESCRIPTION	QTY
		CAMSO UTV 4S1 MY2020 :: LEFT & RIGHT REAR	
1	1017-00-0042	WHEEL CAP / CAPUCHON DE ROUE	12
2	1017-00-7150	HUB CAP ASSY BLUE / CAP DE MOYEU BLEU ASSEMBLÉ	1
3	1033-08-2020	HCSW, M8-1.25X20, 8.8, ZP, TL, DIN933	10
4	1033-10-2026	HCSW, M10-1.5X25, 8.8, ZP, TL, DIN933	12
5	1036-10-4030	HFSCS, M10-1.5X30, 10.9, ZP, TL, DIN 6921	4-5
6	1060-12-0002	W, 24X13X2.5, ZP, DIN125A	1
7	1071-12-0001	NN, M12-1.75, ZP, DIN982	1
8	1091-00-0004	ERR, 15, 1.5, DIN6799	1
9	1093-00-7002	DOUBLE LIPS SHAFT SEAL / JOINT ÉTANCHE DOUBLE	1
10	1093-00-7025	UTV WHEEL SEAL / JOINT ROUE UTV	12
11	1093-00-9296	REAR TRACK / CHENILLE ARRIÈRE -- UTV (9296S)	1
12	1433-10-0001	HHP, M10-1	1

PARTS LIST



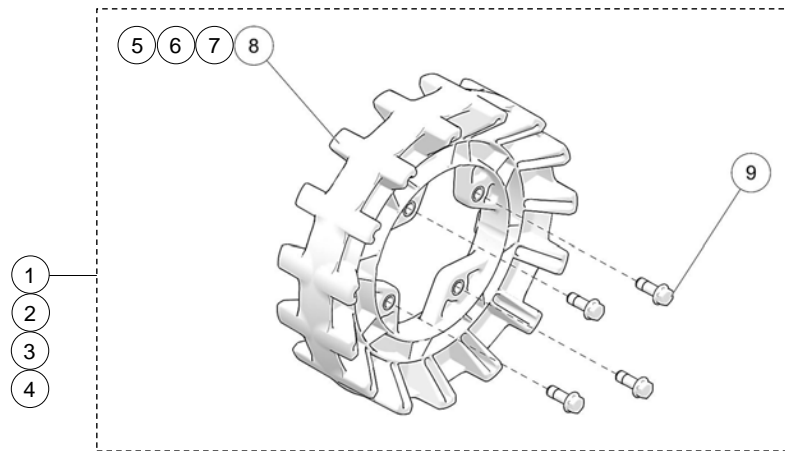
ITEM #	PART #	DESCRIPTION	QTY
CAMSO UTV 4S1 MY2020 :: INDEPENDENT SUSPENSION (IS)			
1	1033-AS-0075	STABILIZ. ROD, LONG BOLT KIT / ENS. BOULON LONG, BRAS STABILISATEUR	1
2	1036-10-4030	HFSCS, M10-1.5X30, 10.9, ZP, TL, DIN 6921	2
3	1060-00-0004	W, 7/16X1.0X0.072, 8, ZP, USS	2
4	7001-00-8508	STABILIZ. ROD ASSY, UTV REAR / BRAS STAB. ASSEMBLÉ, UTV ARRIÈRE	1

-  TORQUE
-  THREAD LOCKER

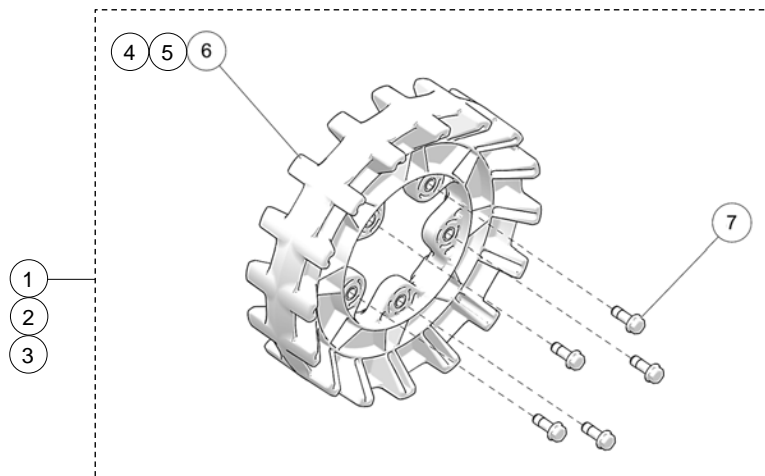


ITEM #	PART #	DESCRIPTION	QTY
CAMSO UTV 4S1 MY2020 :: RIGID SUSPENSION (RS)			
1	1036-10-4030	HFSCS, M10-1.5X30, 10.9, ZP, TL, DIN 6921	3
2	1060-00-0004	W, 7/16X1.0X0.072, 8, ZP, USS	3
3	1080-00-3000	STABILIZING ARM GUIDE ASS'Y. RS / GUIDE BRAS STABILISATEUR ASS., SR	1
4	7050-00-0024	S-KIT - BUSHING RS, STABILIZING ROD / BAGUE SR , BRAS STABILISATEUR	1

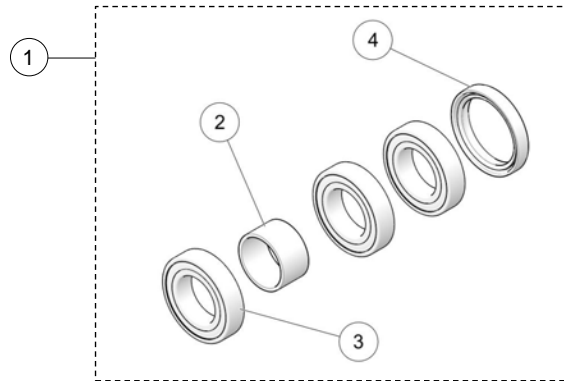
PARTS LIST



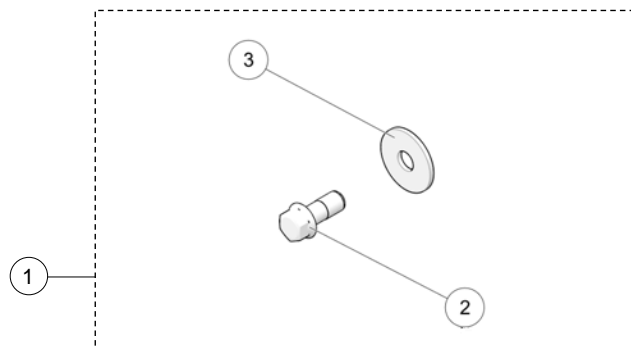
ITEM #	PART #	DESCRIPTION	QTY
CAMSO UTV 4S1 MY2020 :: S-KIT 4-BOLT SPROCKETS			
1	7009-00-7115	S-KIT 15/4 SPROCKET / BARBOTIN 15/4	1
2	7009-00-7116	S-KIT 16/4 SPROCKET / BARBOTIN 16/4	1
3	7009-00-7117	S-KIT 17/4 SPROCKET / BARBOTIN 17/4	1
4	7009-00-7118	S-KIT 18/4 SPROCKET / BARBOTIN 18/4	1
5	--	SPROCKET 15 TEETH / BARBOTIN 15 DENTS -- T4S	1
6	--	SPROCKET 16 TEETH / BARBOTIN 16 DENTS -- T4S	1
7	--	SPROCKET 17 TEETH / BARBOTIN 17 DENTS -- T4S	1
8	--	SPROCKET 18 TEETH / BARBOTIN 18 DENTS -- T4S	1
9	1036-10-4030	HFSCS, M10-1.5X30, 10.9, ZP, TL, DIN 6921	4



ITEM #	PART #	DESCRIPTION	QTY
CAMSO UTV 4S1 MY2020 :: S-KIT 5-BOLT SPROCKETS			
1	7009-08-7116	S-KIT 16/5 SPROCKET / BARBOTIN 16/5	1
2	7009-08-7117	S-KIT 17/5 SPROCKET / BARBOTIN 17/5	1
3	7009-08-7118	S-KIT 18/5 SPROCKET / BARBOTIN 18/5	1
4	--	SPROCKET 16 TEETH / BARBOTIN 16 DENTS -- T4S	1
5	--	SPROCKET 17 TEETH / BARBOTIN 17 DENTS -- T4S	1
6	--	SPROCKET 18 TEETH / BARBOTIN 18 DENTS -- T4S	1
7	1036-10-4030	HFSCS, M10-1.5X30, 10.9, ZP, TL, DIN 6921	5

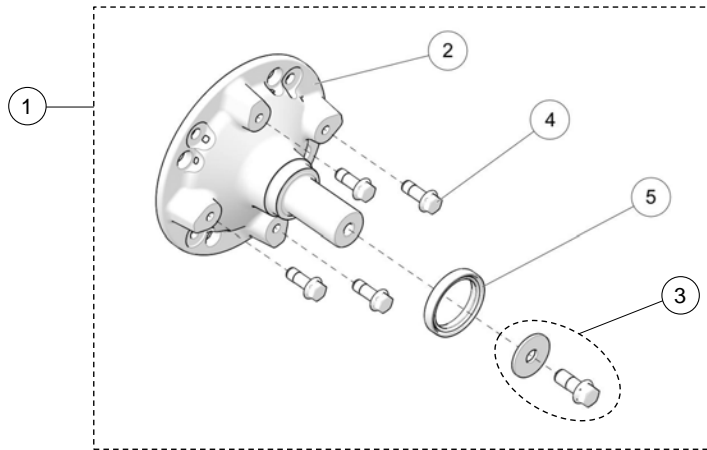


ITEM #	PART #	DESCRIPTION	QTY
CAMSO UTV 4S1 MY2020 :: HUB BEARING KIT			
1	7090-00-0002	S-KIT UTV -- 3 BEARINGS / 3 ROULEMENTS	1
2	--	INTERNAL SPACER / ESPACEUR INTERNE -- UTV	1
3	--	STANDARD BEARING / ROULEMENT À BILLE STANDARD	3
4	1093-00-7002	DOUBLE LIPS SHAFT SEAL / JOINT ÉTANCHE DOUBLE	1

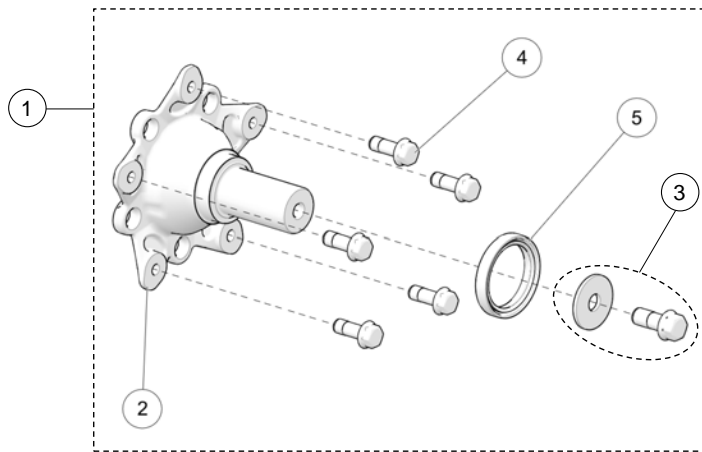


ITEM #	PART #	DESCRIPTION	QTY
CAMSO UTV 4S1 MY2020 :: HUB BOLT KIT			
1	1033-AS-0066	HUB BOLT KIT / BOULON DE MOYEU, ENSEMBLE	1
2	--	HFSCS, M12-1.75X30, 10.9, ZP, TL, DIN 6921	1
3	--	W, 1.625, 0.515, 11GA.	1

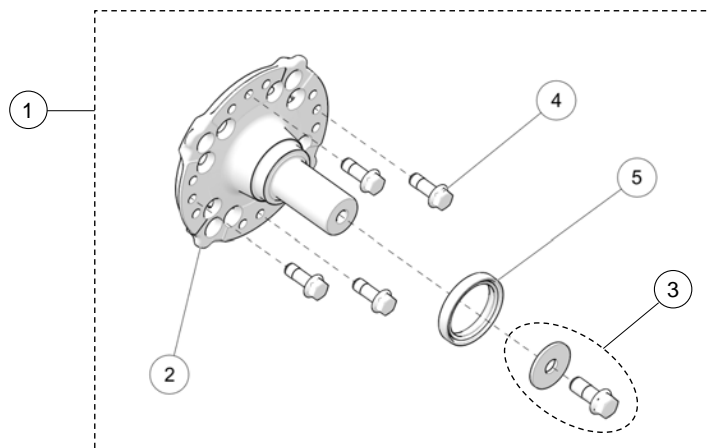
PARTS LIST



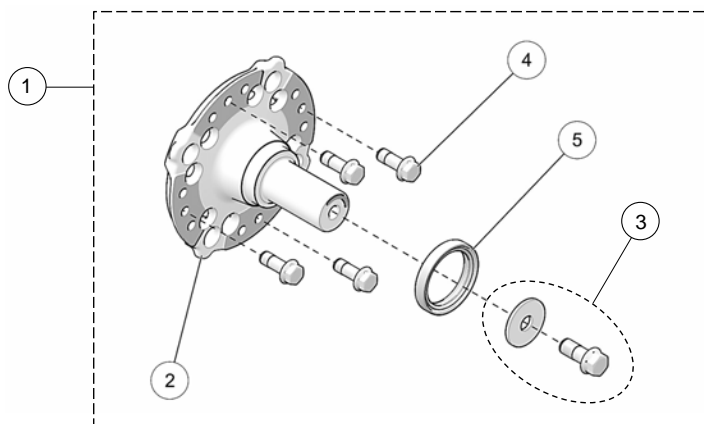
ITEM #	PART #	DESCRIPTION	QTY
CAMSO UTV 4S1 MY2020 :: S-KIT HUB MULTI POLARIS			
1	7019-05-0070	S-KIT HUB MULTI POLARIS / S-KIT MOYEU MULTI POLARIS	1
2	--	POLARIS MULTI HUB / MOYEU MULTI POLARIS	1
3	1033-AS-0066	HUB BOLT KIT / ENSEMBLE BOULON MOYEU	1
4	1036-10-4030	HFSCS, M10-1.5X30, 10.9, ZP, TL, DIN 6921	4
5	1093-00-7002	DOUBLE LIPS SHAFT SEAL / JOINT ÉTANCHE DOUBLE	1



ITEM #	PART #	DESCRIPTION	QTY
CAMSO UTV 4S1 MY2020 :: S-KIT HUB 5 BOLTS			
1	7019-08-0007	S-KIT HUB 5 BOLTS / ENS. ESSIEU 5 BOULONS	1
2	--	5-BOLT PATTERN HUB / ESSIEU 5 BOULONS	1
3	1033-AS-0066	WHEEL HUB BOLT KIT / ENS. BOULON MOYEU	1
4	1036-10-4030	HFSCS, M10-1.5X30, 10.9, ZP, TL, DIN 6921	5
5	1093-00-7002	DOUBLE LIPS SHAFT SEAL / JOINT ÉTANCHE DOUBLE	1

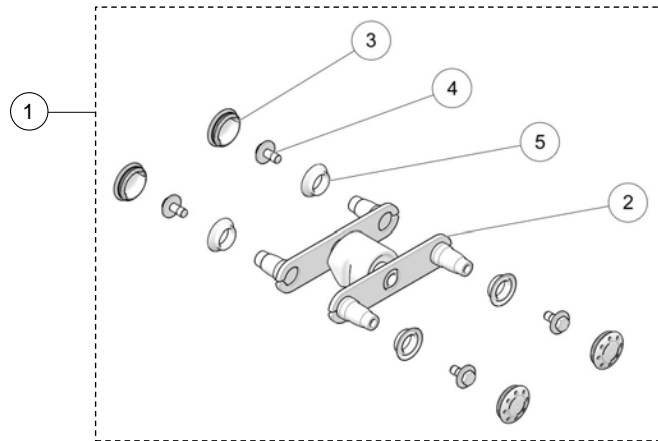


ITEM #	PART #	DESCRIPTION	QTY
CAMSO UTV 4S1 MY2020 :: S-KIT HUB MULTI			
1	7019-77-0015	S-KIT HUB MULTI / S-KIT MOYEU MULTI	1
2	--	MULTI-MODEL HUB / MOYEU MULTI-MODÈLES	1
3	1033-AS-0066	WHEEL HUB BOLT KIT / ENS. BOULON MOYEU	1
4	1036-10-4030	HFSCS, M10-1.5X30, 10.9, ZP, TL, DIN 6921	4
5	1093-00-7002	DOUBLE LIPS SHAFT SEAL / JOINT ÉTANCHE DOUBLE	1

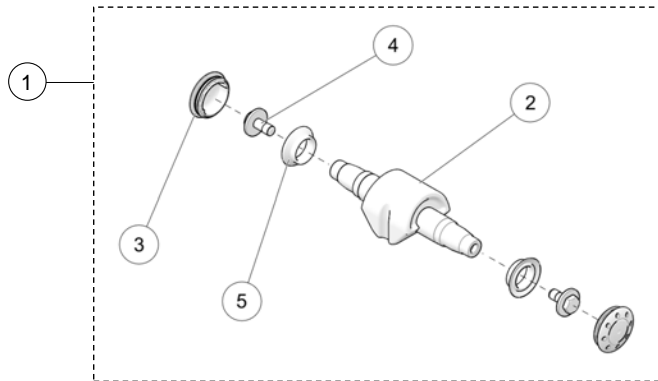


ITEM #	PART #	DESCRIPTION	QTY
CAMSO UTV 4S1 MY2020 :: S-KIT HUB 137MM ADAPTED			
1	7019-43-0014	S-KIT HUB 137mm ADAPTED / S-KIT MOYEU 137mm ADAPTÉ	1
2	--	137mm ADAPTED HUB MODEL / 137mm MODÈLE MOYEU ADAPTÉ	1
3	1033-AS-0066	WHEEL HUB BOLT KIT / ENSEMBLE BOULON MOYEU	1
4	1036-10-4030	HFSCS, M10-1.5X30, 10.9, ZP, TL, DIN 6921	4
5	1093-00-7002	DOUBLE LIPS SHAFT SEAL / JOINT ÉTANCHE DOUBLE	1

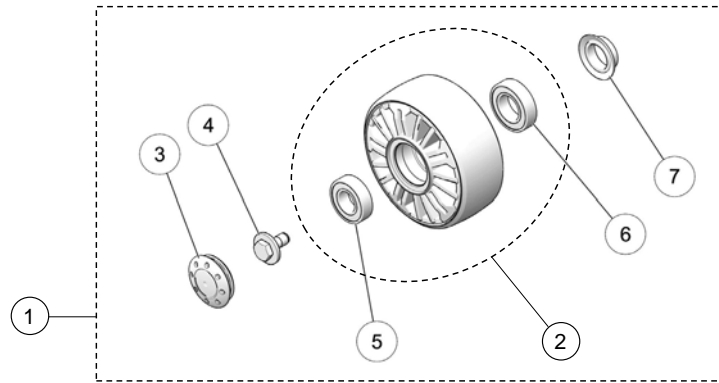
PARTS LIST



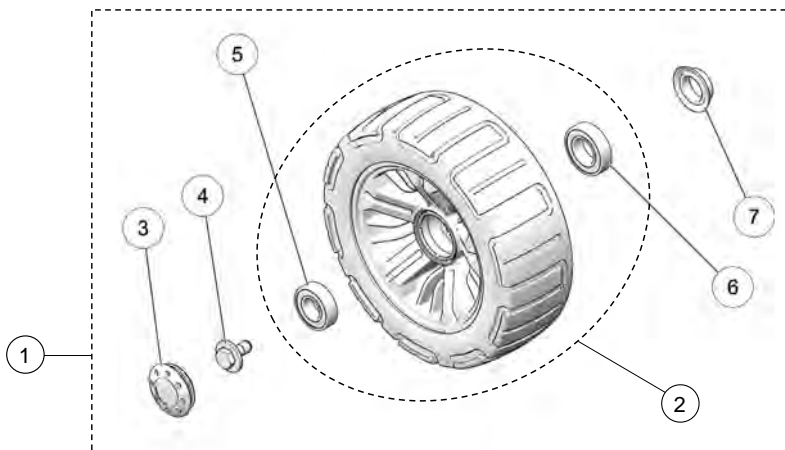
ITEM #	PART #	DESCRIPTION	QTY
CAMSO UTV 4S1 MY2020 :: UTV STABILIZER			
1	7015-00-8745	S-KIT STABILIZER UTV 4S1 / S-KIT STABILISATEUR UTV 4S1	1
2	--	STABILIZER, OVERMOLDED ASS'Y / STABILISATEUR SURMOULÉ ASS.	1
3	1017-00-0042	WHEEL CAP / BOUCHON DE ROUE	4
4	1033-10-2026	HCSW, M10-1.5X25, 8.8, ZP, TL, DIN933	4
5	1093-00-7025	UTV WHEEL SEAL / JOINT ROUE UTV	4



ITEM #	PART #	DESCRIPTION	QTY
CAMSO UTV 4S1 MY2020 :: WHEEL AXLE			
1	7015-00-8730	S-KIT WHEEL AXLE UTV 4S1 / S-KIT ARBRE DE ROUE UTV 4S1	1
2	--	DAMPER, OVERMOLDED ASS'Y / AMORTISSEUR SURMOULÉ ASS.	1
3	1017-00-0042	WHEEL CAP / BOUCHON DE ROUE	2
4	1033-10-2026	HCSW, M10-1.5X25, 8.8, ZP, TL, DIN933	2
5	1093-00-7025	UTV WHEEL SEAL / JOINT ROUE UTV	2

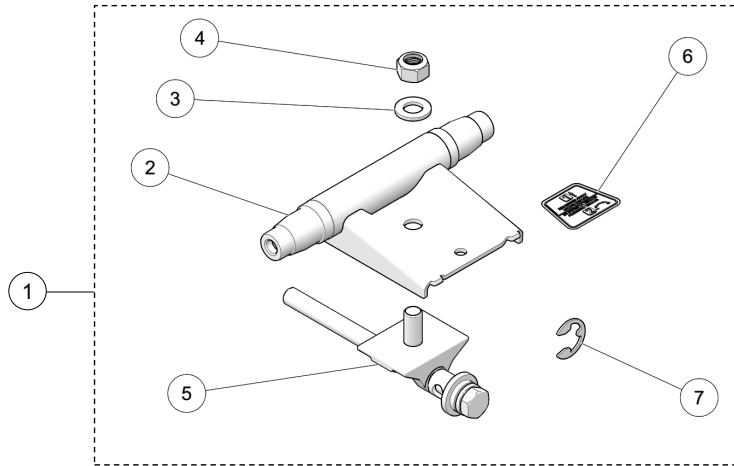


ITEM #	PART #	DESCRIPTION	QTY
CAMSO UTV 4S1 MY2020 :: 50MM WHEEL KIT			
1	7016-00-5220	S-KIT REPLACEMENT WHEEL / S-KIT ROUE REMPLACEMENT -- 50MM	1
2	--	132MM X 50MM UTV WHEEL, ASS'Y / ROUE UTV 132MM X 50MM, ASS.	1
3	1017-00-0042	WHEEL CAP / CAPUCHON DE ROUE	1
4	1033-10-2026	HCSW, M10-1.5X25, 8.8, ZP, TL, DIN933	1
5	1090-00-0005	BEARING 6004 / ROULEMENT A BILLES 6004	1
6	1090-00-0006	BEARING 6005 / ROULEMENT A BILLES 6005	1
7	1093-00-7025	UTV WHEEL SEAL / JOINT ROUE UTV	1

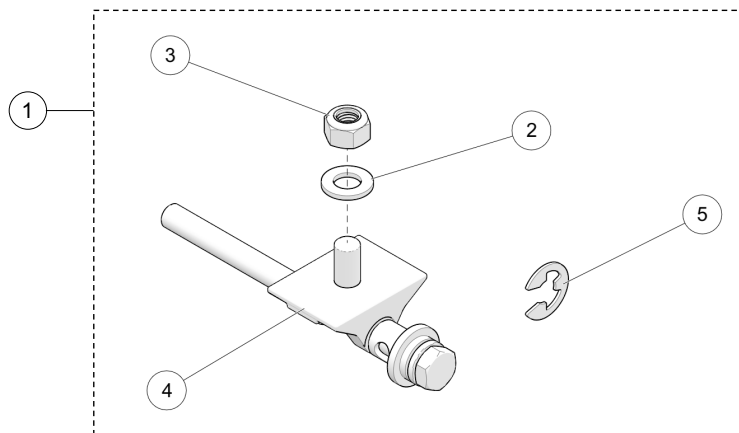


ITEM #	PART #	DESCRIPTION	QTY
CAMSO UTV 4S1 MY2020 :: 241MM WHEEL KIT			
1	7016-00-2260	S-KIT 241MM REPLACEMENT WHEEL / REMPLACEMENT ROUE 241 MM	1
2	--	WHEEL 241MM, ASS'Y / PNEU 241MM, ASSEMBLÉ	1
3	1017-00-0042	WHEEL CAP / CAPUCHON DE ROUE	1
4	1033-10-2026	HCSW, M10-1.5X25, 8.8, ZP, TL, DIN933	1
5	1090-00-0005	BEARING 6004 / ROULEMENT A BILLES 6004	1
6	1090-00-0006	BEARING 6005 / ROULEMENT A BILLES 6005	1
7	1093-00-7025	UTV WHEEL SEAL / JOINT ROUE UTV	1

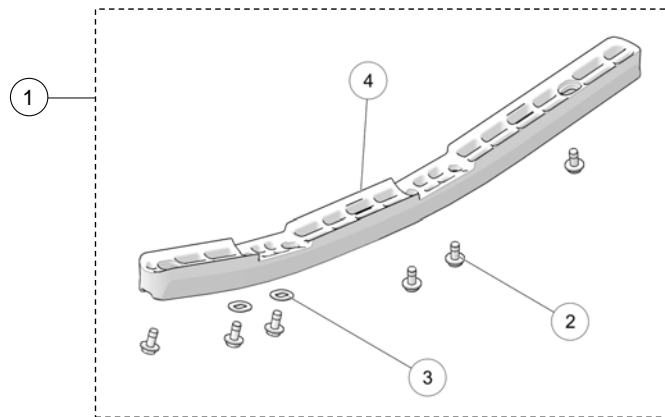
PARTS LIST



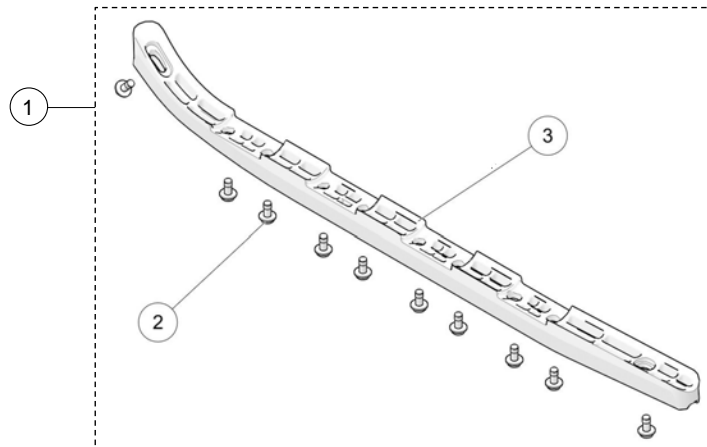
ITEM #	PART #	DESCRIPTION	QTY
CAMSO UTV 4S1 MY2020 :: TRACK TENSIONER			
1	7014-00-8521	S-KIT UTV TRACK TENSIONER / S-KIT TENDEUR CHENILLE UTV	1
2	--	TRACK TENSIONER / TENDEUR DE CHENILLE - UTV 4S1 MY2017	1
3	1060-12-0002	W, 24X13X2.5, ZP, DIN125A	1
4	1071-12-0001	NN, M12-1.75, ZP, DIN982	1
5	--	TENSIONER ADJUST. SCREW ASS'Y / ENS. BOULON D'AJUST. TENDEUR	1
6	--	STICKER - LOOSEN PRIOR / AUTOCOLLANT - DESSERRER AVANT	1
7	1091-00-0004	ERR, 15, 1.5, DIN6799	1



ITEM #	PART #	DESCRIPTION	QTY
CAMSO UTV 4S1 MY2020 :: TENSIONER ADJUSTMENT SCREW			
1	7082-00-8140	S-KIT TENSIONER ADJUST. SCREW / S-KIT BOULON AJUST. TENDEUR	1
2	1060-12-0002	W, 24X13X2.5, ZP, DIN125A	1
3	1071-12-0001	NN, M12-1.75, ZP, DIN982	1
4	--	TENSIONER ADJUST. SCREW ASS'Y / ENS. BOULON D'AJUST. TENDEUR	1
5	1091-00-0004	ERR, 15, 1.5, DIN6799	1

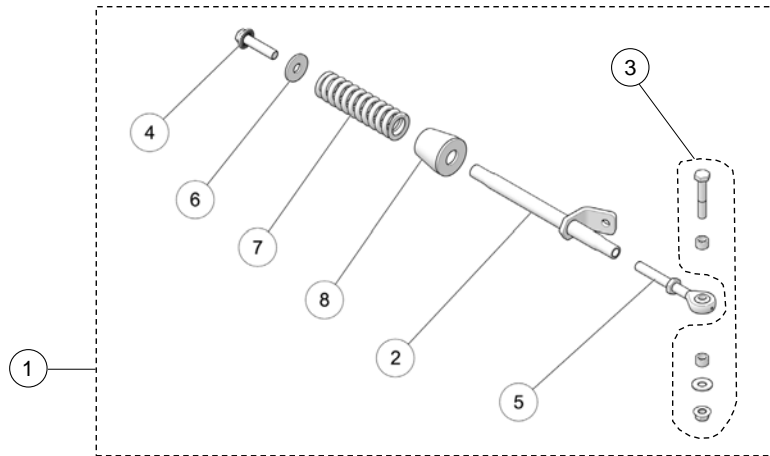


ITEM #	PART #	DESCRIPTION	QTY
CAMSO UTV 4S1 MY2020 :: FRONT TRACK GUIDE			
1	7085-00-8031	S-KIT UTV 4S1 FRONT GUIDE / S-KIT GUIDE AVANT UTV 4S1	1
2	1033-08-2020	HCSW, M8-1.25X20, 8.8, ZP, TL, DIN933	6
3	1051-00-0024	WASHER, SLIDE / RONDELLE, GLISSIÈRE	2
4	--	TRACK GUIDE, FRONT / GUIDE DE CHENILLE AVANT	1

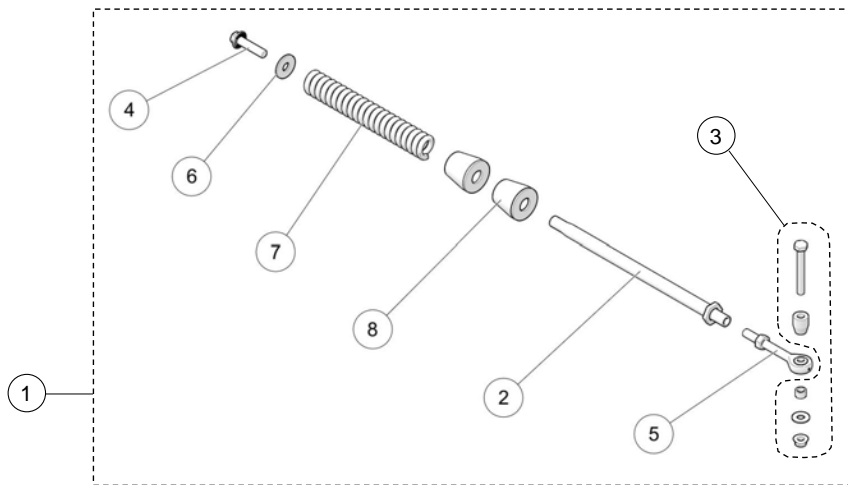


ITEM #	PART #	DESCRIPTION	QTY
CAMSO UTV 4S1 MY2020 :: REAR TRACK GUIDE			
1	7085-00-8032	S-KIT UTV 4S1 REAR GUIDE / S-KIT GUIDE ARRIÈRE UTV 4S1	1
2	1033-08-2020	HCSW, M8-1.25X20, 8.8, ZP, TL, DIN933	10
3	--	TRACK GUIDE, REAR / GUIDE DE CHENILLE ARRIÈRE	1

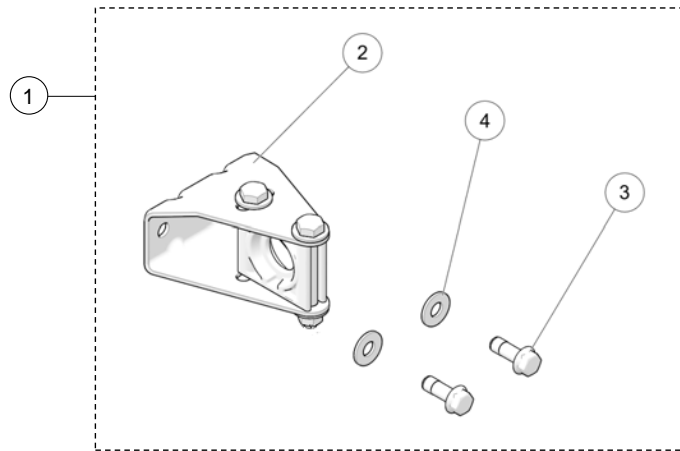
PARTS LIST



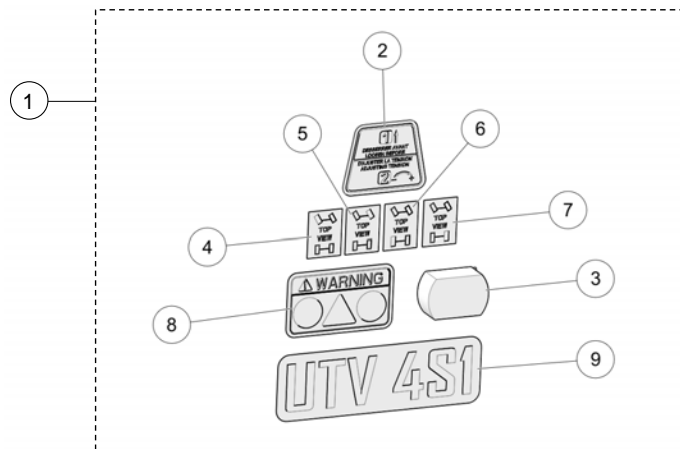
ITEM #	PART #	DESCRIPTION	QTY
CAMSO UTV 4S1 MY2020 :: STABILIZING ROD, FRONT			
1	7001-00-8902	S-KIT STABILIZING ROD, UTV FRONT / BRAS STABILISATEUR, UTV AVANT	1
2	1000-00-8570	SHORT ANTI-ROTATION ROD / TIGE ANTI-ROTATION COURTE	1
3	1033-AS-0025	STABILIZING ROD SHORT BOLT KIT / ENS. BOULON COURT BRAS STAB.	1
4	1036-12-D050	BOLT / BOULON - HFSCS, M12-1.75X50, 8.8, ZP, FULL THREAD	1
5	1047-12-1090	X-LONG ROD END / TIGE À OEIL X-LONGUE	1
6	1060-12-0001	WASHER / RONDELLE - 37.4X13X3, ZP, DIN 9021	1
7	1080-00-0087	COMPRESSION SPRING / RESSORT À COMPRESSION - 417 LBS/IN	1
8	1093-00-7050	RUBBER DAMPER / AMORTISSEUR EN CAOUTCHOUC	1



ITEM #	PART #	DESCRIPTION	QTY
CAMSO UTV 4S1 MY2020 :: STABILIZING ROD, REAR			
1	7001-00-8508	S-KIT STABILIZING ROD, UTV REAR / BRAS STABILISATEUR, UTV ARRIÈRE	1
2	1000-00-8058	LONG ANTI-ROTATION ROD / TIGE ANTI-ROTATION LONGUE	1
3	1033-AS-0075	STABILIZING ROD LONG BOLT KIT / ENS. BOULON LONG BRAS STAB.	1
4	1036-12-D050	BOLT / BOULON - HFSCS, M12-1.75X50, 8.8, ZP, FULL THREAD	1
5	1047-12-1090	X-LONG ROD END / TIGE À OEIL X-LONGUE	1
6	1060-12-0001	WASHER / RONDELLE - W, 37.4X13X3, ZP, DIN9021	1
7	1080-00-0901	COMPRESSION SPRING, LG / RESSORT COMPRESSION, LG - 480 LBS/IN	1
8	1093-00-7050	RUBBER DAMPER / AMORTISSEUR EN CAOUTCHOUC	2

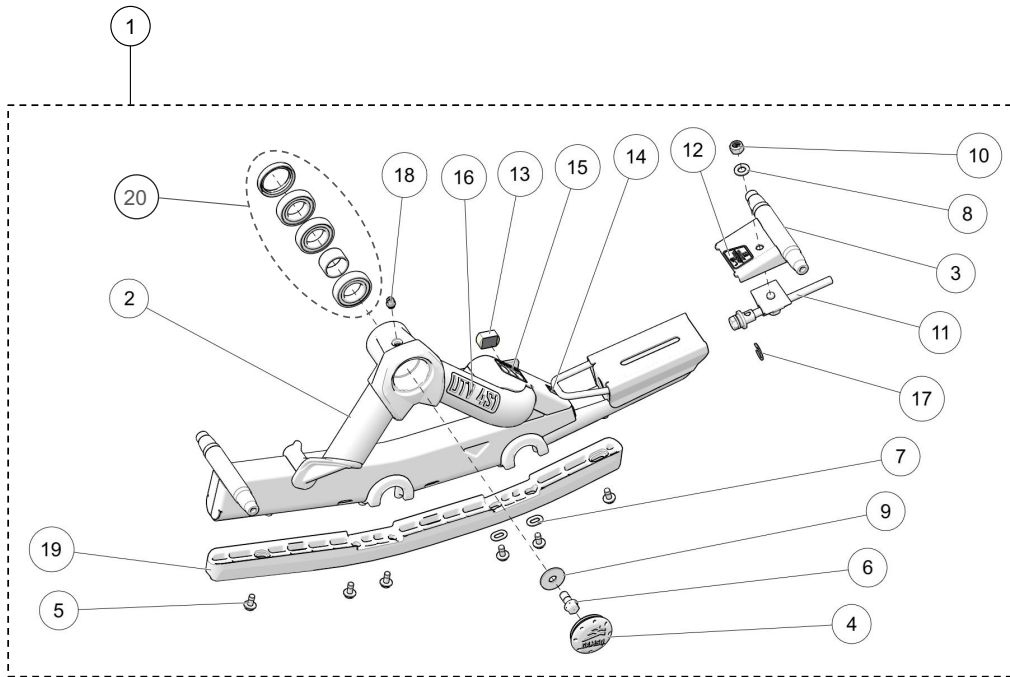


ITEM #	PART #	DESCRIPTION	QTY
		CAMSO UTV 4S1 MY2020 :: BRACKET, INDEPENDENT SUSPENSION	
1	7015-00-8251	S-KIT ANTI-ROTATION IND SUSPENSION / ANTIROTATION SUSP. IND.	1
2	--	ANTI-ROTATION BRACKET IND SUSP / ATTACHE ANTIROTATION SI	1
3	1036-10-4030	HFSCS, M10-1.5X30, 10.9, ZP, TL, DIN 6921	2
4	1060-00-0004	W, 7/16X1.0X0.072, 8, ZP, USS	2

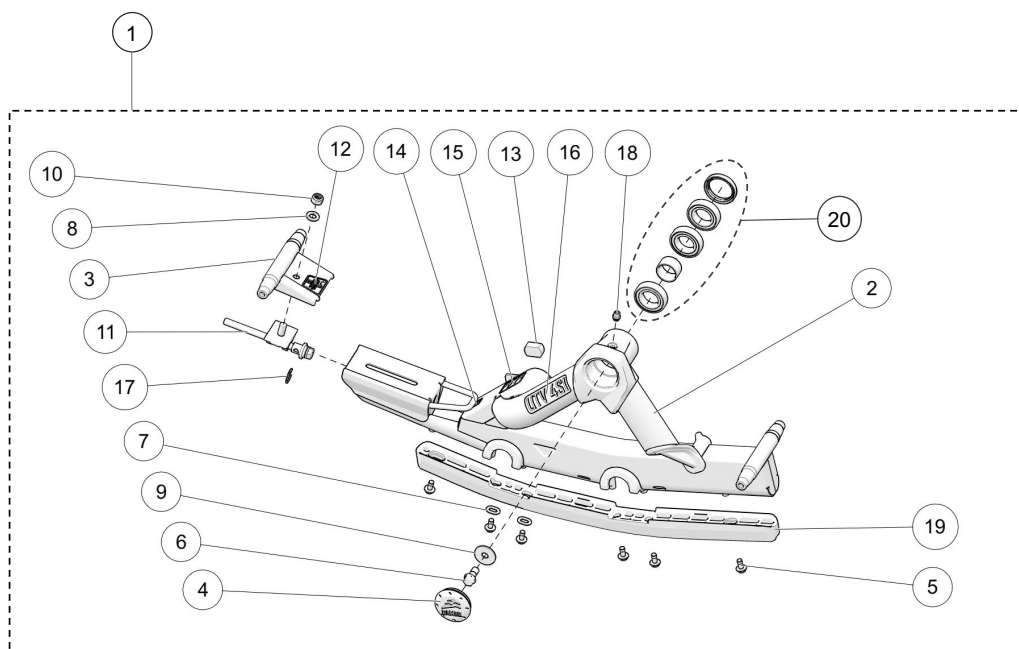


ITEM #	PART #	DESCRIPTION	QTY
		CAMSO UTV 4S1 MY2020 :: DECALS	
1	7083-00-8580	S-KIT DECAL UTV 4S1 / S-KIT DECALQUE UTV 4S1	1
2	--	STICKER - LOOSEN PRIOR / AUTOCOLLANT - DESSERRER AVANT	1
3	1083-00-0090	BUBBLE LEVEL / NIVEAU À BULLE	1
4	--	STICKER, FRONT LEFT PICTOGRAM / PICTOGRAMME AV. GAUCHE	1
5	--	STICKER, FRONT RIGHT PICTOGRAM / PICTOGRAMME AV. DROIT	1
6	--	STICKER, REAR LEFT PICTOGRAM / PICTOGRAMME AR. GAUCHE	1
7	--	STICKER, REAR RIGHT PICTOGRAM / PICTOGRAMME AR. DROIT	1
8	--	STICKER, WARNING / AUTOCOLLANT AVERTISSEMENT	1
9	--	STICKER / AUTOCOLLANT -- CAMSO UTV 4S1 2017	1

PARTS LIST

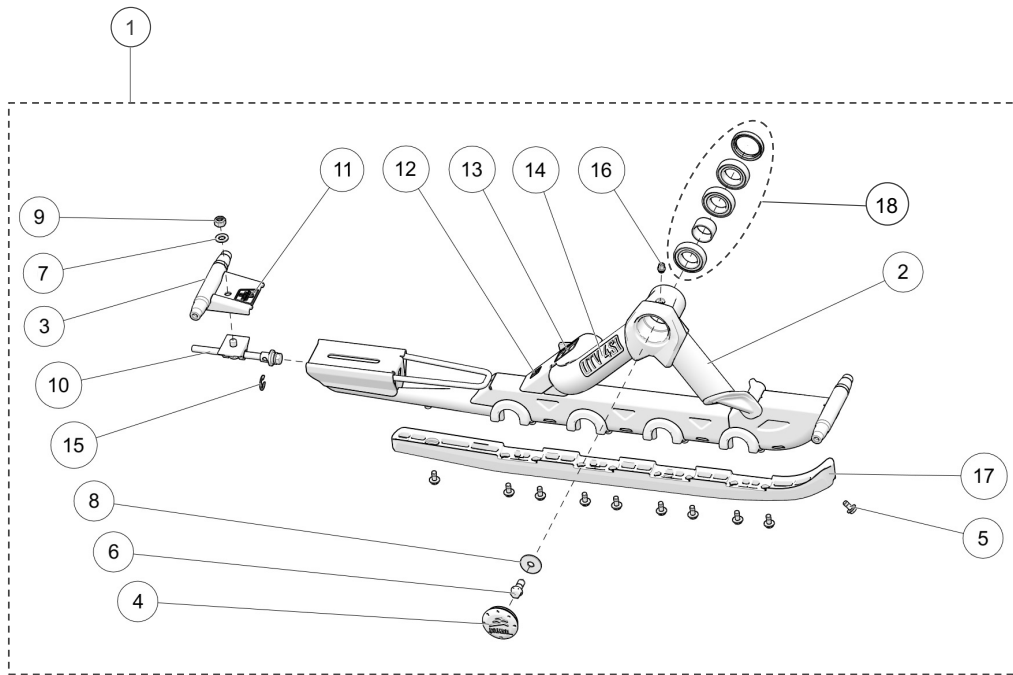


ITEM #	PART #	DESCRIPTION	QTY
		CAMSO UTV 4S1 MY2020 :: FRONT RIGHT FRAME	
1	7010-00-8522	S-KIT FRAME FR UTV 4S1 / S-KIT CHASSIS AVD UTV 4S1	1
2	--	RH FRONT FRAME / CHÂSSIS AV. DROIT -- UTV 4S1 MY2017	1
3	--	TRACK TENSIONER / TENDEUR DE CHENILLE -- UTV 4S1 MY2017	1
4	1017-00-7150	HUB CAP CAMSO ASSY / CAP DE MOYEU CAMSO ASSEMBLÉ	1
5	1033-08-2020	HCSW, M8-1.25X20, 8.8, ZP, TL, DIN933	6
6	--	HFSCS, M12-1.75X30, 10.9, ZP, TL, DIN 6921	1
7	1051-00-0024	WASHER, SLIDE / RONDELLE, GLISSIÈRE	2
8	1060-12-0002	W, 24X13X2.5, ZP, DIN125A	1
9	--	W, 1.625, 0.515, 11GA.	1
10	1071-12-0001	NN, M12-1.75, ZP, DIN982	1
11	--	TENSIONER, ADJUST. SCREW - ASS'Y / TENDEUR, BOULON AJUST. - ASS.	1
12	--	STICKER, LOOSEN PRIOR/AUTOCOLLANT, DESSERRER AVANT- UTV 4S1	1
13	1083-00-0090	BUBBLE LEVEL / NIVEAU À BULLE	1
14	--	STICKER, FRONT RIGHT PICTOGRAM / PICTOGRAMME AV. DROIT	1
15	--	STICKER, WARNING / AUTOCOLLANT AVERTISSEMENT	1
16	--	STICKER / AUTOCOLLANT -- CAMSO UTV 4S1	1
17	1091-00-0004	ERR, 15, 1.5, DIN6799	1
18	1433-10-0001	HHP, M10-1	1
19	--	FRONT TRACK GUIDE / GUIDE CHENILLE AVANT -- UTV 4S1	1
20	7090-00-0002	S-KIT UTV 3 BEARINGS / S-KIT UTV 3 ROULEMENTS	1

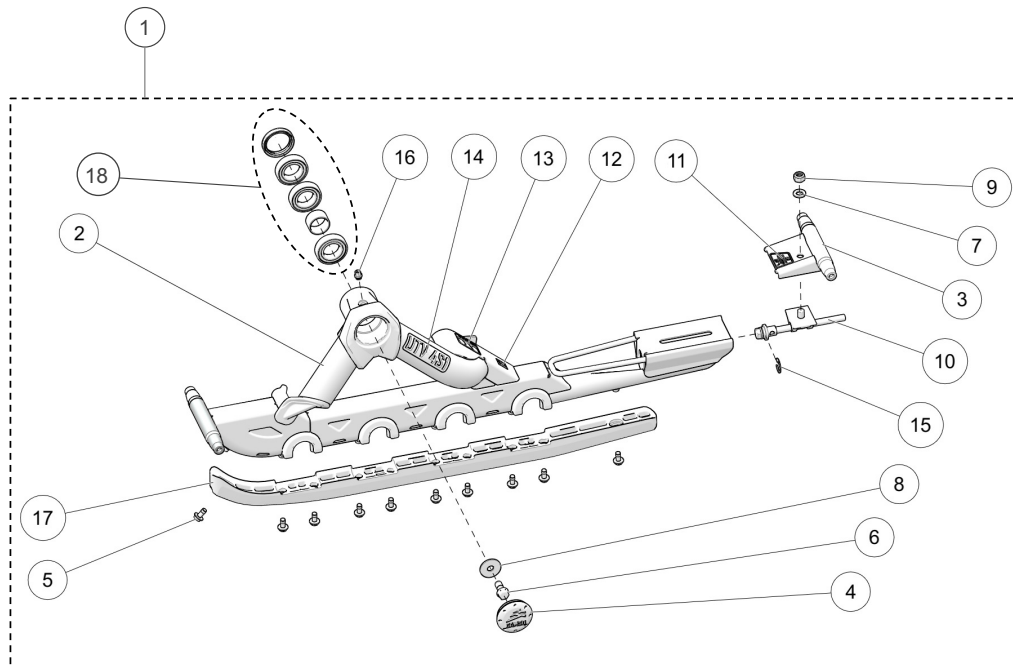


ITEM #	PART #	DESCRIPTION	QTY
		CAMSO UTV 4S1 MY2020 :: FRONT LEFT FRAME	
1	7011-00-8522	S-KIT FRAME FL UTV 4S1 / S-KIT CHASSIS AVG UTV 4S1	1
2	--	LH FRONT FRAME / CHÂSSIS AV. GAUCHE -- UTV 4S1 MY2017	1
3	--	TRACK TENSIONER / TENDEUR DE CHENILLE -- UTV 4S1 MY2017	1
4	1017-00-7150	HUB CAP CAMSO ASSY / CAP DE MOYEU CAMSO ASSEMBLÉ	1
5	1033-08-2020	HCSW, M8-1.25X20, 8.8, ZP, TL, DIN933	6
6	--	HFSCS, M12-1.75X30, 10.9, ZP, TL, DIN 6921	1
7	1051-00-0024	WASHER, SLIDE / RONDELLE, GLISSIÈRE	2
8	1060-12-0002	W, 24X13X2.5, ZP, DIN125A	1
9	--	W, 1.625, 0.515, 11GA.	1
10	1071-12-0001	NN, M12-1.75, ZP, DIN982	1
11	--	TENSIONER, ADJUST. SCREW - ASS'Y / TENDEUR, BOULON AJUST. - ASS.	1
12	--	STICKER, LOOSEN PRIOR / AUTOCOLLANT, DESERRER AVANT- UTV 4S1	1
13	1083-00-0090	BUBBLE LEVEL / NIVEAU À BULLE	1
14	--	STICKER, FRONT LEFT PICTOGRAM / PICTOGRAMME AV. GAUCHE	1
15	--	STICKER, WARNING / AUTOCOLLANT AVERTISSEMENT	1
16	--	STICKER / AUTOCOLLANT -- CAMSO UTV 4S1	1
17	1091-00-0004	ERR, 15, 1.5, DIN6799	1
18	1433-10-0001	HHP, M10-1	1
19	--	FRONT TRACK GUIDE / GUIDE CHENILLE AVANT -- UTV 4S1	1
20	7090-00-0002	S-KIT UTV 3 BEARINGS / S-KIT UTV 3 ROULEMENTS	1

PARTS LIST

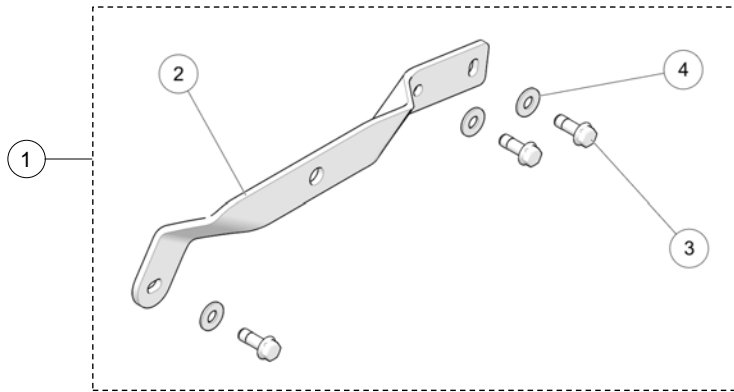


ITEM #	PART #	DESCRIPTION	QTY
CAMSO UTV 4S1 MY2020 :: REAR RIGHT FRAME			
1	7012-00-8522	S-KIT FRAME RR UTV 4S1 / S-KIT CHASSIS ARD UTV 4S1	1
2	--	RH REAR FRAME / CHÂSSIS AR. DROIT -- UTV 4S1 MY2017	1
3	--	TRACK TENSIONER / TENDEUR DE CHENILLE -- UTV 4S1 MY2017	1
4	1017-00-7150	HUB CAP CAMSO ASSY / CAP DE MOYEU CAMSO ASSEMBLÉ	1
5	1033-08-2020	HCSW, M8-1.25X20, 8.8, ZP, TL, DIN933	10
6	--	HFSCS, M12-1.75X30, 10.9, ZP, TL, DIN 6921	1
7	1060-12-0002	W, 24X13X2.5, ZP, DIN125A	1
8	--	W, 1.625, 0.515, 11GA.	1
9	1071-12-0001	NN, M12-1.75, ZP, DIN982	1
10	--	TENSIONER, ADJUST. SCREW - ASS'Y / TENDEUR, BOULON AJUST. - ASS.	1
11	--	STICKER, LOOSEN PRIOR / AUTOCOLLANT, DESERRER AVANT- UTV 4S1	1
12	--	STICKER, REAR RIGHT PICTOGRAM / PICTOGRAMME AR. DROIT	1
13	--	STICKER, WARNING / AUTOCOLLANT AVERTISSEMENT	1
14	--	STICKER / AUTOCOLLANT -- CAMSO UTV 4S1	1
15	1091-00-0004	ERR, 15, 1.5, DIN6799	1
16	1433-10-0001	HHP, M10-1	1
17	--	REAR TRACK GUIDE / GUIDE CHENILLE ARRIÈRE -- UTV 4S1	1
18	7090-00-0002	S-KIT UTV 3 BEARINGS / S-KIT UTV 3 ROULEMENTS	1

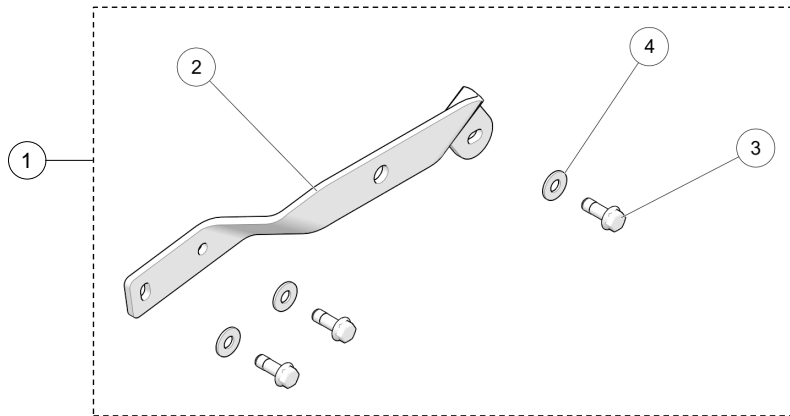


ITEM #	PART #	DESCRIPTION	QTY
CAMSO UTV 4S1 MY2020 :: REAR LEFT FRAME			
1	7013-00-8522	S-KIT FRAME RL UTV 4S1 / S-KIT CHASSIS ARG UTV 4S1	1
2	--	LH REAR FRAME / CHÂSSIS AR. GAUCHE -- UTV 4S1 MY2017	1
3	--	TRACK TENSIONER / TENDEUR DE CHENILLE -- UTV 4S1 MY2017	1
4	1017-00-7150	HUB CAP CAMSO ASSY / CAP DE MOYEU CAMSO ASSEMBLÉ	1
5	1033-08-2020	HCSW, M8-1.25X20, 8.8, ZP, TL, DIN933	10
6	--	HFSCS, M12-1.75X30, 10.9, ZP, TL, DIN 6921	1
7	1060-12-0002	W, 24X13X2.5, ZP, DIN125A	1
8	--	W, 1.625, 0.515, 11GA.	1
9	1071-12-0001	NN, M12-1.75, ZP, DIN982	1
10	--	TENSIONER, ADJUST. SCREW - ASS'Y / TENDEUR, BOULON AJUST. - ASS.	1
11	--	STICKER, LOOSEN PRIOR / AUTOCOLLANT, DESERRER AVANT- UTV 4S1	1
12	--	STICKER, REAR LEFT PICTOGRAM / PICTOGRAMME AR. GAUCHE	1
13	--	STICKER, WARNING / AUTOCOLLANT AVERTISSEMENT	1
14	--	STICKER / AUTOCOLLANT -- CAMSO UTV 4S1	1
15	1091-00-0004	ERR, 15, 1.5, DIN6799	1
16	1433-10-0001	HHP, M10-1	1
17	--	REAR TRACK GUIDE / GUIDE CHENILLE ARRIÈRE -- UTV 4S1	1
18	7090-00-0002	S-KIT UTV 3 BEARINGS / S-KIT UTV 3 ROUEMENTS	1

PARTS LIST



ITEM #	PART #	DESCRIPTION	QTY
		CAMSO UTV 4S1 MY2020 :: RIGHT ANTI-ROTATION BRACKET - RIGID	
1	7015-00-8518	S-KIT ANTI-ROTATION RIG RH BRACKET / ANCRAGE ANTIROT. DR, RIG.	1
2	--	ANTI-ROTATION, RH BRACKET, RS / ANCRAGE DR, ANTIROTATION, SR	1
3	1036-10-4030	HFSCS, M10-1.5X30, 10.9, ZP, TL, DIN 6921	3
4	1060-00-0004	W, 7/16X1.0X0.072, 8, ZP, USS	3



ITEM #	PART #	DESCRIPTION	QTY
		CAMSO UTV 4S1 MY2020 :: LEFT ANTI-ROTATION BRACKET - RIGID	
1	7015-00-8508	S-KIT ANTI-ROTATION RIG LH BRACKET / ANCRAGE ANTIROT. GA, RIG.	1
2	--	ANTI-ROTATION, LH BRACKET, RS / ANCRAGE GA, ANTIROTATION, SR	1
3	1036-10-4030	HFSCS, M10-1.5X30, 10.9, ZP, TL, DIN 6921	3
4	1060-00-0004	W, 7/16X1.0X0.072, 8, ZP, USS	3