

# CAMSO UTV 4S1 FOR SIDE BY SIDE ADJUSTMENTS 2017

1099-00-3328



FORMERLY  
CAMOPLAST  
SOLIDEAL



FORMERLY  
CAMOPLAST  
SOLIDEAL

**Formerly Camoplast Solideal, Camso is the best of Camoplast and Solideal. To keep moving forward while staying true to our history, we're now Camso, the Road Free Company.**

## INTRODUCTION

These guidelines are designed to provide you with the information necessary to perform the required adjustments to the system. The right adjustments have a direct impact on performance and life of the system's components. It is important to follow closely the instructions contained in this document in order to make the correct system adjustments and thereby reach optimum system performance.

Follow all the instructions contained in this document. To make sure that every step has been performed, a checklist is provided at the end of the instructions to verify that all the adjustments have been made.

### IMPORTANT

The warranty does not apply if the track system was installed by someone other than a Camso dealer or authorized distributor.

### IMPORTANT

**Verifying your adjustments on the systems is mandatory after the first use of the vehicle; the track tension, alignment and angle of attack of each track system must be re-verified. Incorrect adjustments can decrease the performance of the systems and result in premature wear or breakage of certain components.**

## IMPORTANT

Before starting the installation, verify that the serial numbers are identical on all 4 track systems. The serial number's last digit (0, 1, 2, 3) indicates the mounting position on the vehicle. Lay out the track systems accordingly. Refer to Figure 1 and Figure 2.

*NOTE: If the serial numbers on the track systems do not match, contact your authorized Camso dealer / distributor.*

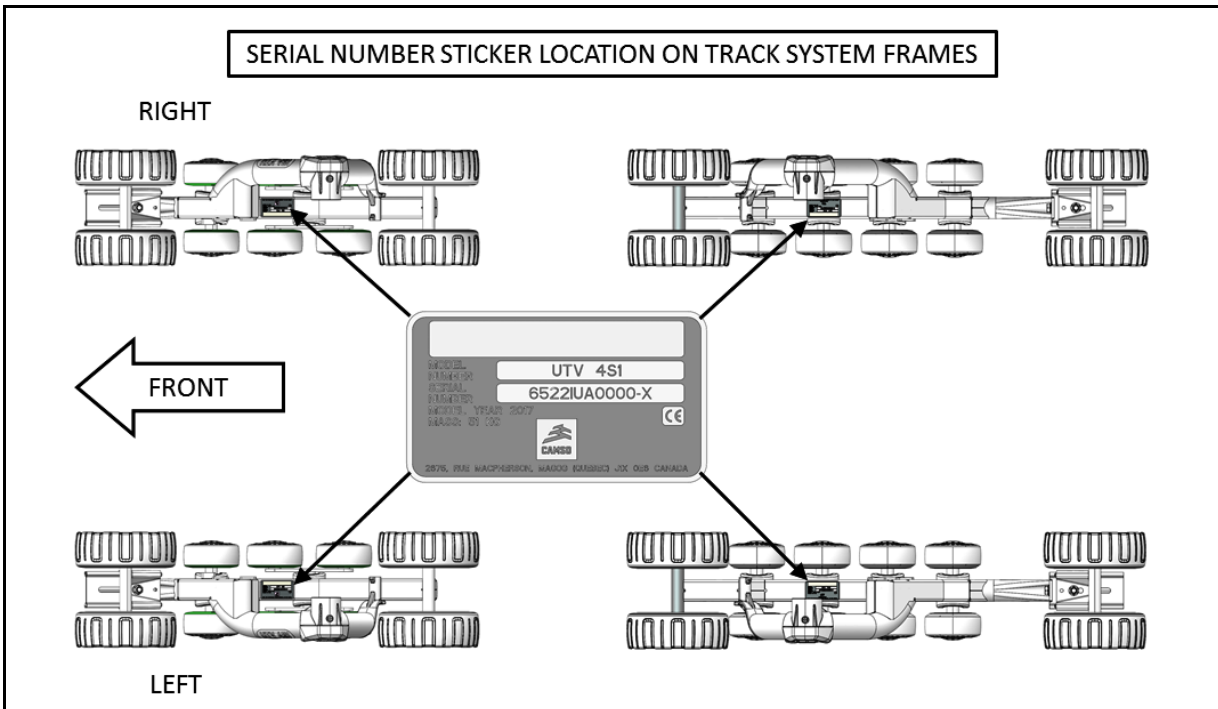


Figure 1

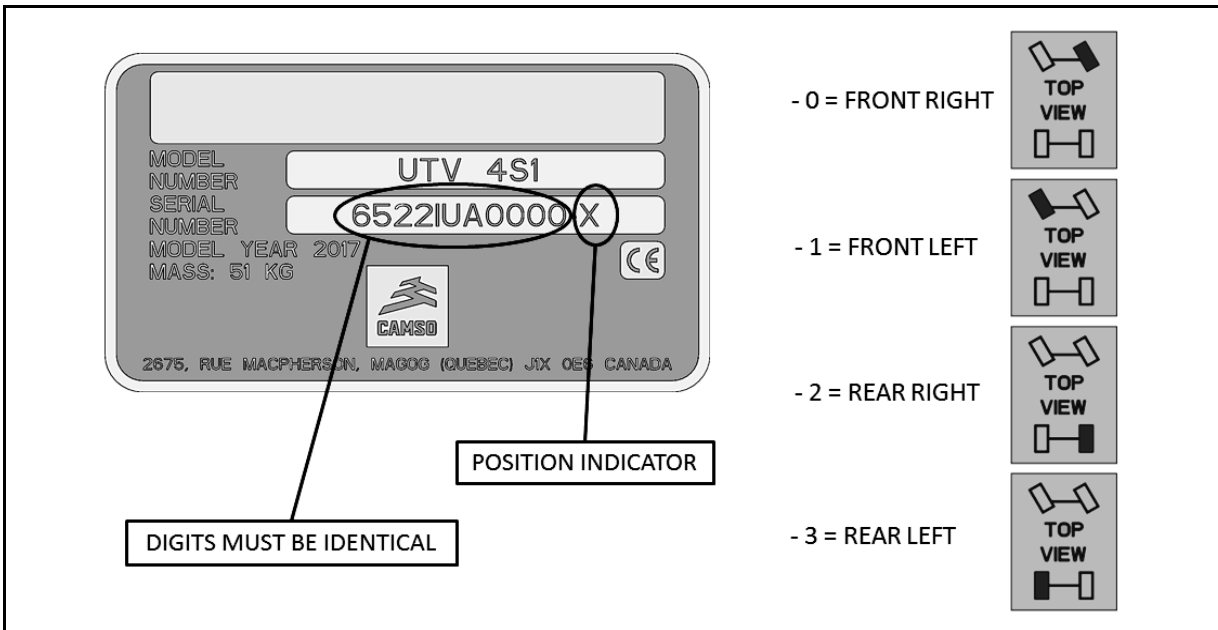


Figure 2

## ADJUSTMENTS

*NOTE: To make the following adjustments, position the vehicle on a flat and level surface.*

### ANGLE OF ATTACK - FRONT TRACK SYSTEMS

To obtain the correct angle of attack on front Track Systems, perform the following:

- Orient the steering wheel and the Track Systems straight ahead
- Temporarily apply pressure to the front of the track to make sure that it stays flat on the ground
- Stabilizing arm (1) must be attached to the front anchor bracket (2) installed on the vehicle. See Figure 3.

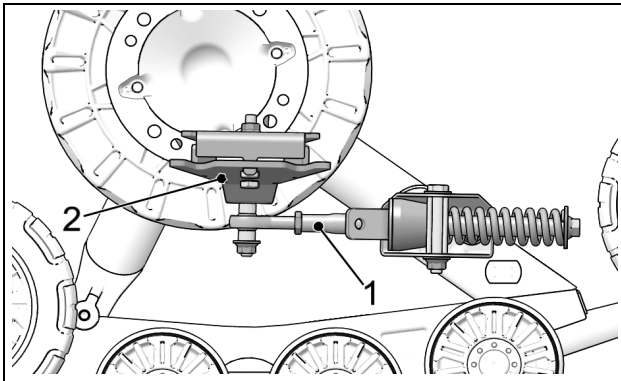


Figure 3

- A Bubble Level is attached to the inside of the front frames. A perfectly centered bubble is needed to adjust the angle of attack correctly. See Figure 4.

*NOTE: Before each measurement, temporarily apply light pressure to the front of the track to make sure that it stays flat on the ground.*

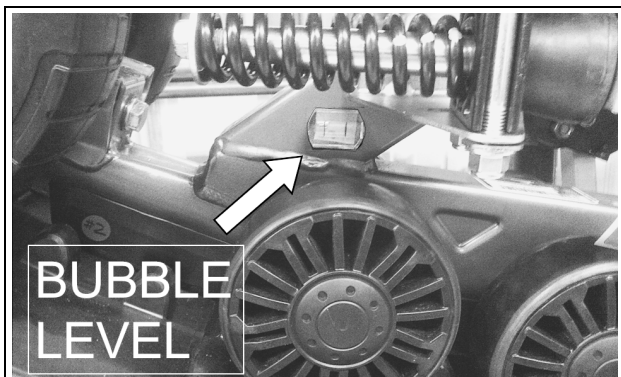


Figure 4

- Loosen anti-rotation bracket bolts (1) and (2) to allow the anti-rotation retainer (3) to rotate freely on its axis. See Figure 5.

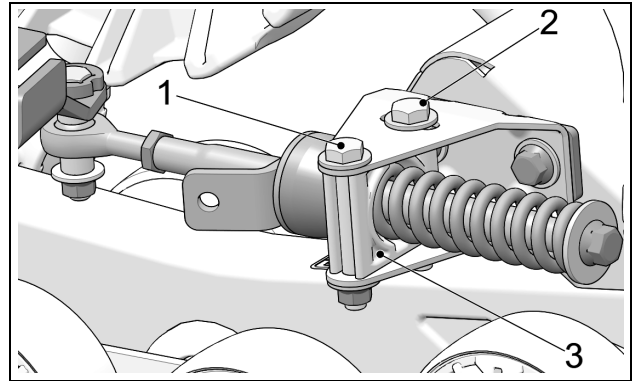


Figure 5

- Loosen jam nut (1). Adjust length of rod end (2) by rotating the steering limiter support plate on (3) the stabilizing arm. Use a 30 mm [1 3/16 in] wrench to rotate support plate to obtain a perfectly centered bubble in the level. Refer to Figure 6.

*NOTE: The stabilizing arms on front Track Systems incorporate a steering limiter support plate (3) which is bent. This plate should be positioned inwards, towards the vehicle.*

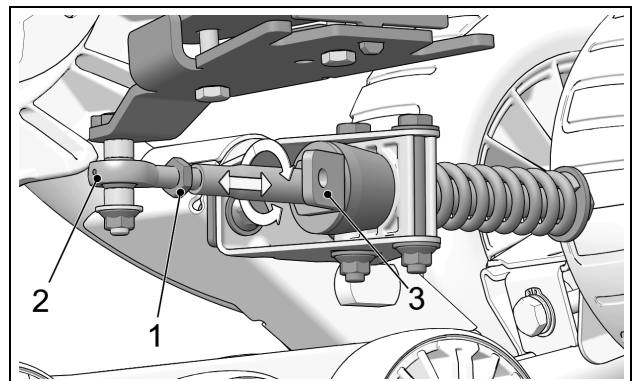


Figure 6

- When angle of attack is correctly set, tighten the jam nut (1) back against the stabilizing arm to 40 N•m [30lb•ft] of torque. See Figure 7.

**CAUTION:** Follow the recommended torque when tightening the jam nut. Overtightening the nut might damage the rod end.

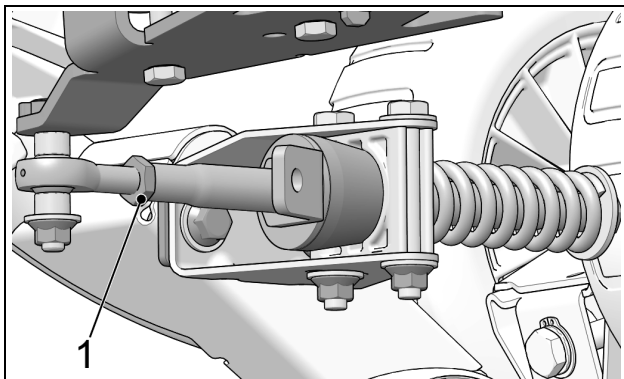


Figure 7

- Re-tighten anti-rotation bracket bolts (1) and (2) to 50 N•m [37 lb•ft] of torque. See Figure 8.

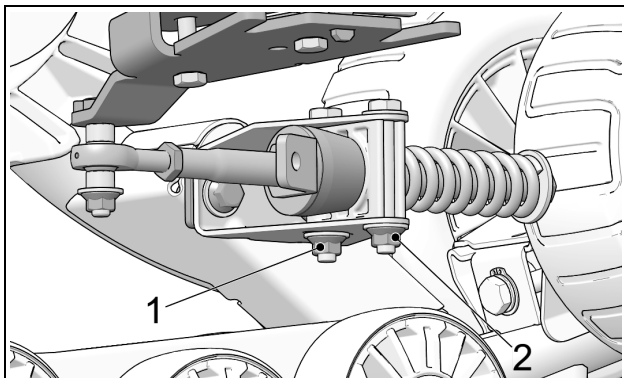


Figure 8

- Once the centered bubble in the level indicates that the angle of attack is correct, double-check the setting by validating the distance from the top of the back tires to the ground.

Position a flat bar on top of the rear wheels of the front Track System and measure from the ground up to the flat bar as shown on Figure 9.

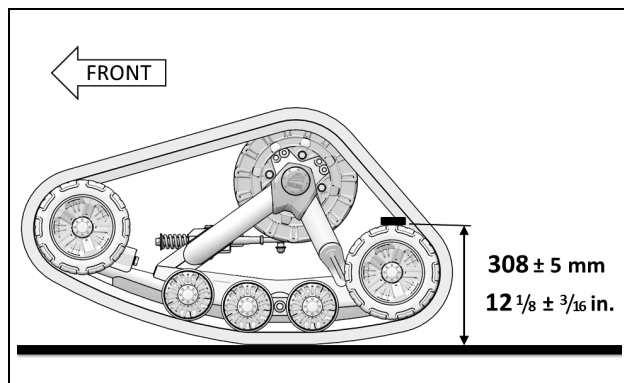


Figure 9

**BASIC TUNING (Front Track Systems)**

- An adjustment of more than **308 mm [12 1/8 in]**, measured with the flat bar, provides easier steering but produces a wobbling effect at high speed.
- An adjustment of less than **308 mm [12 1/8 in]**, measured with the flat bar, results in harder steering and more stability at high speed.

*NOTE: Once adjustment of the angle of attack on the front systems is completed, verify once again to confirm the adjustment.*

## ADJUSTMENTS

### ANGLE OF ATTACK - REAR TRACK SYSTEMS

To obtain the correct angle of attack on rear Track Systems, perform the following:

#### RIGID AXLE OR TRAILING ARM SUSPENSION

**CAUTION:** Some vehicles require a particular adjustment. Refer to the *Installation Guidelines* specific to your vehicle model to confirm the adjustment.

- Stabilizing arm (1) must be attached to Track System and to rear anchor bracket (2) installed on vehicle. See Figure 10.

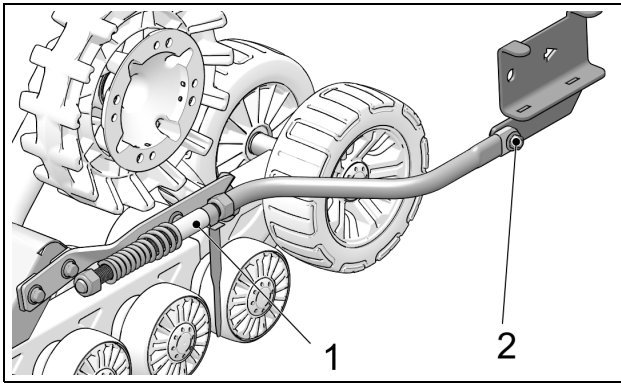


Figure 10

- Loosen the nut (3) compressing the spring of the stabilizing rod. See Figure 11.

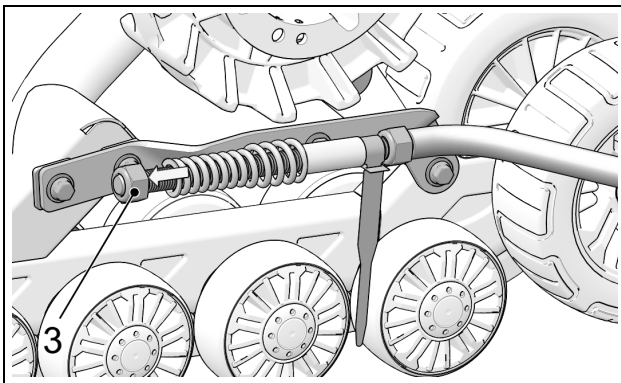


Figure 11

**NOTE:** Use the wide part of the adjusting template provided with the stabilizing arm to make the adjustment.

- Set the nut (4) to obtain a distance of 19 mm [3/4 in] between nut and stabilizing arm guide as shown on Figure 12.

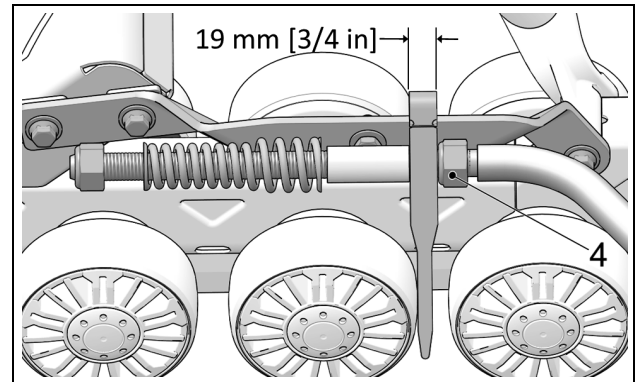


Figure 12

- Turn nut (3) until it comes in contact with the spring, then compress the spring by turning the nut 1 1/2 turns. See Figure 13.

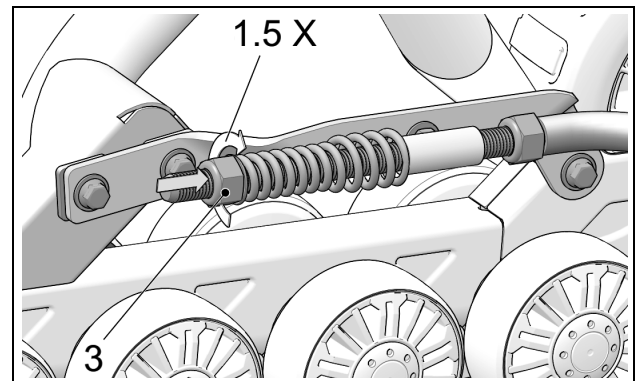


Figure 13

- **IMPORTANT:** Double-check the 19 mm minimum distance between nut and stabilizing arm guide. Re-adjust as needed. See Figure 14.

**NOTE:** Use the provided template to double-check the adjustment.

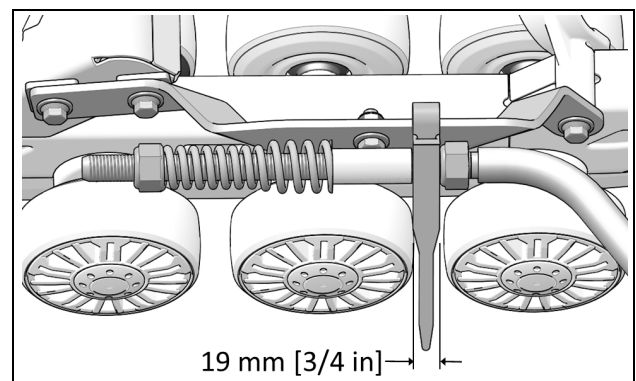


Figure 14

## INDEPENDENT SUSPENSION (IS)

- Stabilizing arm (1) must be attached to the rear anchor bracket (2) installed on the vehicle. See Figure 15.

*NOTE: Actual Rear Anchor bracket (2) installed on vehicle may differ from the one in the illustration.*

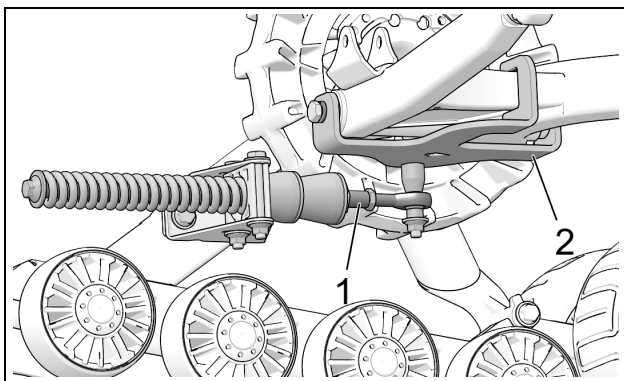


Figure 15

- Loosen anti-rotation bracket bolts (1) and (2) to allow the anti-rotation retainer (3) to rotate on its axis. See Figure 16.

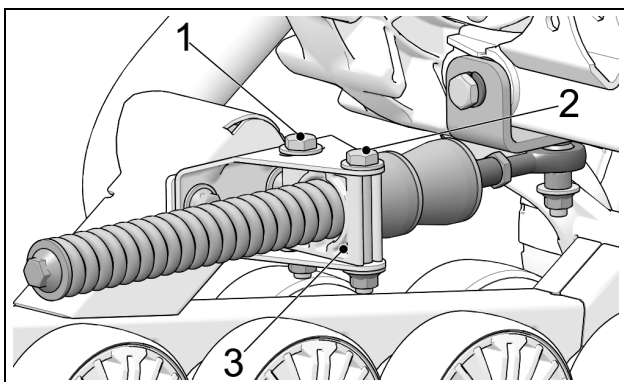


Figure 16

- Turn stabilizing arm nut to adjust length of rod end (1) and get rubber cone (2) to apply light pressure on anti-rotation retainer (3). Figure 17.

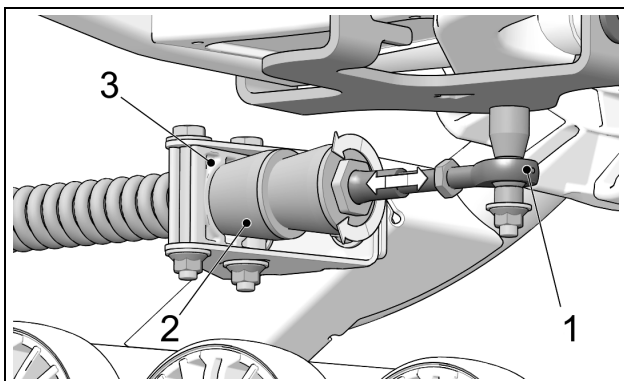


Figure 17

## BASIC TUNING (Rear Track Systems):

- The adjustment is **incorrect** when the stabilizing arm's rubber cone is compressed and deformed. The stabilizing arm's spring is then difficult or impossible to turn by hand.
- Re-tighten jam nut (1) to 40 N•m [30 lb-ft] of torque when adjustment is complete. Figure 18.

**CAUTION:** Tighten the jam nut to the recommended torque specification. Overtightening the nut might damage the rod end.

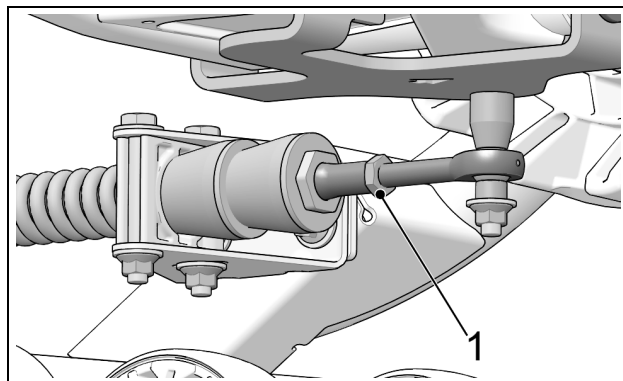


Figure 18

- Re-tighten anti-rotation bracket nuts (1) and (2) to 50 N•m [37 lb-ft] of torque. See Figure 19.

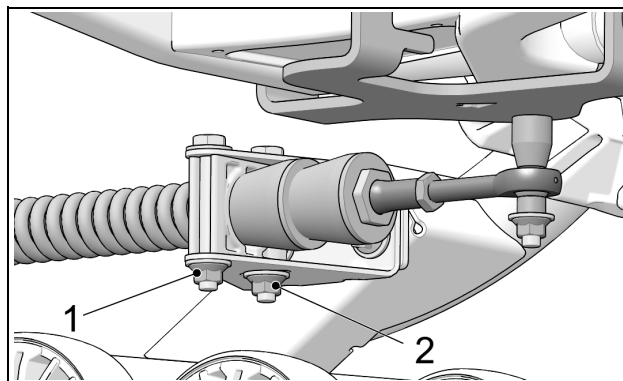


Figure 19

*NOTE: Once adjustment of the angle of attack on rear systems is complete, verify once again to confirm the adjustment setting.*

## TRACK SYSTEM REMOVAL

**CAUTION:** Leaving the anti-rotation anchor brackets attached to the suspension arms, after having removed the Track Systems, could cause interference which might damage the vehicle. Remove all Track System anti-rotation mechanism components installed on the vehicle before reinstalling the wheels.

## ADJUSTMENTS

### ALIGNMENT

Parallelism must be adjusted with the SxS on the ground, driving the vehicle forward about 3 meters [10 ft.] and measuring toe-in distance. Refer to Figure 20.

*NOTE: Every time the measurement has to be taken, drive in reverse, then, drive forward again on about 3 meters [10 ft.].*

**CAUTION:** Verify condition of the steering system components before adjusting parallelism. Damaged components can prevent proper adjustment and impair proper operation of the system.

**CAUTION:** The parallelism adjustment of the front Track Systems is very important and is directly linked to the longevity of the system components. Users must follow attentively the adjustment and verification recommendations of this manual.

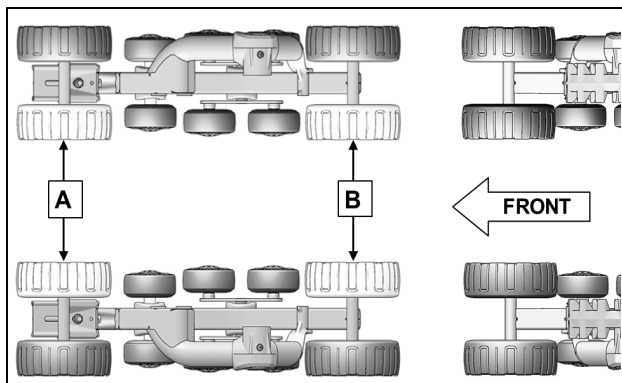


Figure 20

**Dimension A:** represents the distance between the inner front tires.

**Dimension B:** represents the distance between the inner back tires.

**Dimension A must be equal to or greater than dimension B without exceeding 3 mm [1/8 inch].**

**A - B = 0 to 3 mm [1/8 inch]**

### Adjustment Method

To adjust the SxS's steering system, first loosen coupling rod nut (1), then screw or unscrew the coupling rod (2) an equal number of revolutions on both sides of the vehicle. See Figure 21.

*NOTE: Starting with an open alignment setting provides a higher degree of precision in the adjustment.*

**CAUTION:** Remember that some nuts have reverse threads before loosening a coupling rod nut (1) on the vehicle's steering system. Make sure to unlock the nut in the proper rotational direction.

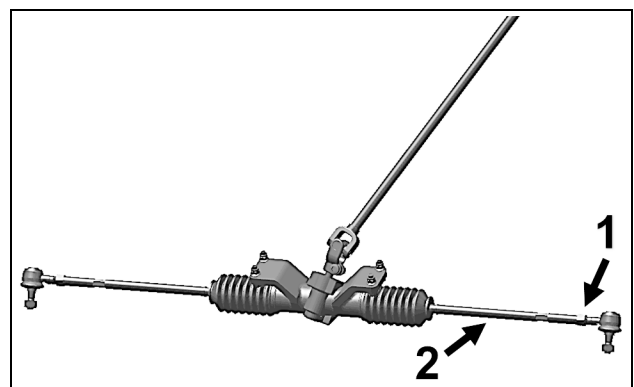


Figure 21

*NOTE: Once the parallelism adjustment of the front Track Systems is completed, verify once more to confirm the adjustment setting.*



**Measure A:** Measure the distance between the front inside Ø241 mm tires of the front Track Systems. See Figures 22, 23 and 24.

**Measure B:** Measure the distance between the rear inside Ø241 mm tires of the front Track Systems. See Figures 25, 26 and 27.

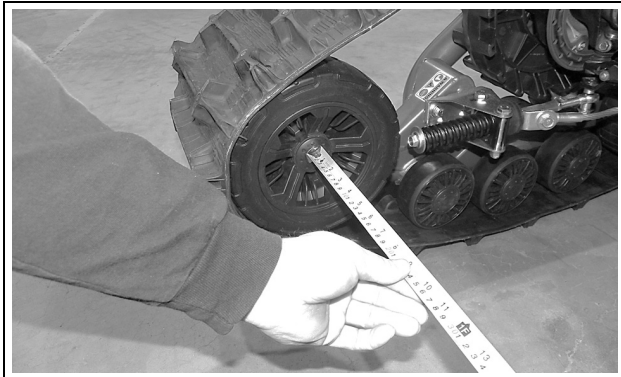


Figure 22

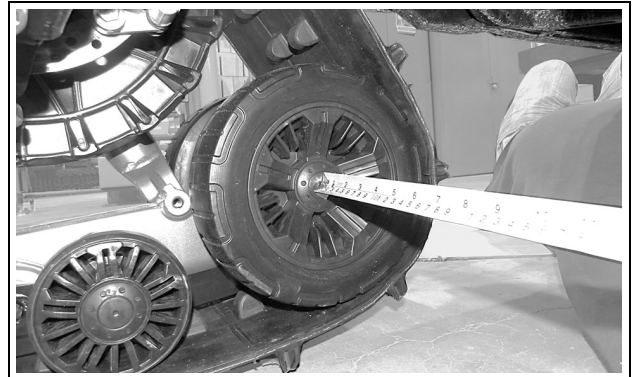


Figure 25

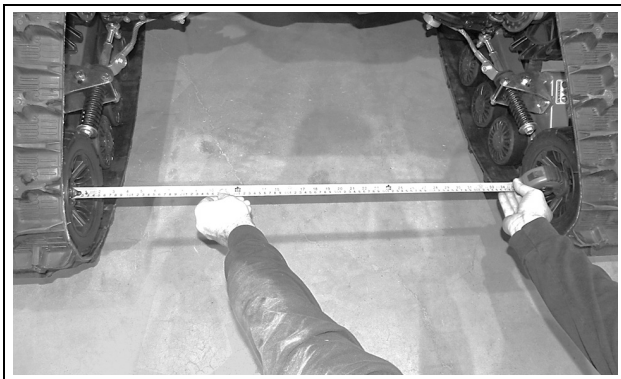


Figure 23 (Distance between the front tires)



Figure 26 (Distance between the rear tires)

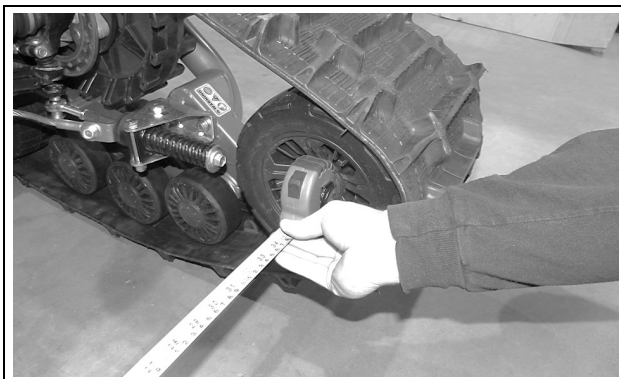


Figure 24



Figure 27

## ADJUSTMENTS

### RUBBER TRACK TENSION

**CAUTION:** The Track Tensioner assembly bolt must be loosened to adjust track tension.

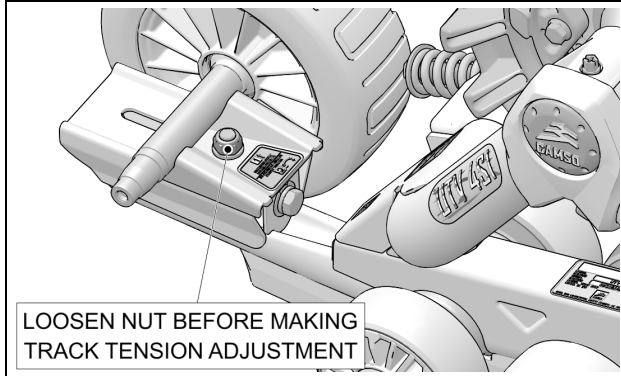


Figure 28

To adjust track tension, turn tension adjustment bolt clockwise or counterclockwise to obtain the recommended track tension. See Figure 29.

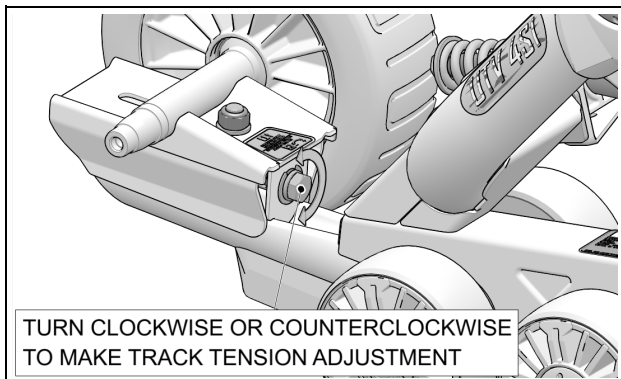


Figure 29

**CAUTION:** Make sure to re-tighten Track Tensioner assembly bolt after completing track tension adjustment.

The table below shows the force (1) applied and the deflection (2) which must occur to correctly set track tension. Refer also to Figure 31.

TRACK	FORCE	DEFLECTION
Front	13.5 kg [ 30 lb ]	19 mm [ ¾ inch ]
Rear	13.5 kg [ 30 lb ]	19 mm [ ¾ inch ]

### BASIC TUNING

- A higher rubber track tension reduces the risk of “derailing” and reduces drive “ratcheting”.

*NOTE:* Track tension set too high could cause premature wear on system components and is therefore not recommended.

- A lower rubber track tension provides better traction, a smoother ride and better fuel economy.

*NOTE:* The track tension testing tool shown below in Figure 30 can be purchased through an authorized Camso dealer. The part number is 2000-00-3125.



Figure 30

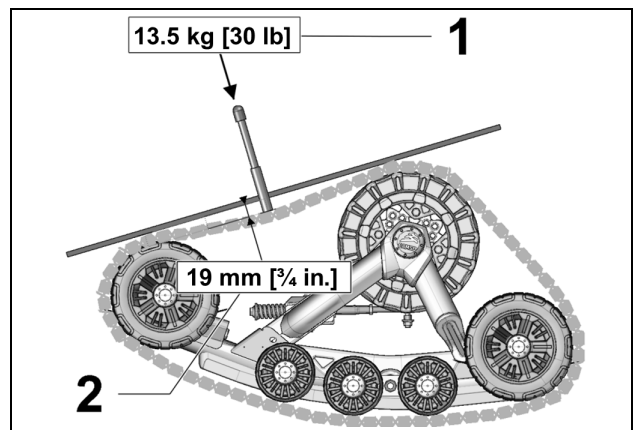


Figure 31

### Final Check

Ride at slow speed on a distance of about 1.5 km [1 mile]. Re-adjust as required.

**CAUTION:** Minor installation problems could present themselves on some vehicles due to interference between system components and the vehicle. Refer to the section entitled “Completion” in the Installation Guidelines for instructions on how to work out these installation problems.

**CAMSO UTV 4S1 TRACK SYSTEMS  
INSTALLATION AND ADJUSTMENT CHECKLIST**

**\*\* Steps in this checklist are laid out in logical order. They should be performed in succession to optimize the track system installation on the vehicle. \*\***

**1 - COMPONENT INSTALLATION**

✓

**A - INSTALLATION OF REAR ANCHOR**

*\* Refer to INSTALLATION GUIDELINES section entitled "Rear track systems"*

**B - INSTALLATION OF FRONT ANCHOR**

*\* Refer to INSTALLATION GUIDELINES section entitled "Front track systems"*

**C - INSTALLATION OF STEERING LIMITERS (if applicable)**

*\* Refer to INSTALLATION GUIDELINES section entitled "Front track systems" . \*\* Do not adjust the Steering Limiter sets before having adjusted the angle of attack.*

**2 - COMPONENT ADJUSTMENT**

**A - ANGLE OF ATTACK**

*\* Refer to ADJUSTMENTS section entitled "Angle of attack"*

**B - TRACK ALIGNMENT**

*\* Refer to ADJUSTMENTS section entitled "Track alignment"*

**C - TRACK TENSION**

*\* Refer to ADJUSTMENTS section entitled "Track tension"*

**D - STEERING LIMITER ADJUSTMENT (if applicable)**

*\* Refer to INSTALLATION GUIDELINES section entitled "Front track systems"*

**3 - INTERFERENCE CHECK**

**IN THE EVENT OF INTERFERENCE BETWEEN THE VEHICLE AND TRACK SYSTEM, SOME PARTS ON THE VEHICLE MAY HAVE TO BE REMOVED OR MODIFIED, OR A LIFT KIT MAY HAVE TO BE INSTALLED. IF APPLICABLE, SEE INSTALLATION GUIDELINES SECTION ENTITLED "COMPLETION".**

**4 - TEST RUN**

**1.5 km (1 mile) TEST RUN**

**5 - POST TEST RUN FINAL CHECKS**

**A - ANGLE OF ATTACK**

*\* Refer to ADJUSTMENTS section entitled "Angle of attack"*

**B - ALIGNMENT**

*\* Refer to ADJUSTMENTS section entitled "Track alignment"*

**C - TRACK TENSION**

*\* Refer to ADJUSTMENTS section entitled "Track tension"*

**CAMSO UTV 4S1 - SYSTÈMES DE TRACTION POUR VCC  
INSTALLATION ET RÉGLAGES - LISTE DE VÉRIFICATION**

**\*\* Les étapes de cette liste de vérification sont présentées par ordre logique. Elles doivent être complétées une à la suite de l'autre pour optimiser l'installation des systèmes de traction sur le véhicule. \*\***

<b>1 - INSTALLATION DE COMPOSANTES</b>
<p><b>A - INSTALLATION DES ANCRAGES ARRIÈRE</b> * Consulter la section « Systèmes de traction arrière » des DIRECTIVES D'INSTALLATION.</p> <p><input type="checkbox"/></p>
<p><b>B - INSTALLATION DES ANCRAGES AVANT</b> * Consulter la section « Systèmes de traction avant » des DIRECTIVES D'INSTALLATION.</p> <p><input type="checkbox"/></p>
<p><b>C - INSTALLATION DES LIMITEURS DE DIRECTION (si applicable)</b> * Consulter la section « Systèmes de traction avant » des DIRECTIVES D'INSTALLATION. ** Ne pas ajuster les limiteurs de direction avant d'avoir ajusté l'angle d'attaque des chenilles.</p> <p><input type="checkbox"/></p>
<b>2 - AJUSTEMENT DE COMPOSANTES</b>
<p><b>A - ANGLE D'ATTAQUE DES CHENILLES</b> * Consulter la section « Angle d'attaque » des RÉGLAGES</p> <p><input type="checkbox"/></p>
<p><b>B - ALIGNEMENT DES CHENILLES</b> * Consulter la section « Alignement des chenilles » des RÉGLAGES</p> <p><input type="checkbox"/></p>
<p><b>C - TENSION DES CHENILLES</b> * Consulter la section « Tension des chenilles » des RÉGLAGES</p> <p><input type="checkbox"/></p>
<p><b>D - AJUSTEMENT DES LIMITEURS DE DIRECTION (si applicable)</b> * Consulter la section « Systèmes de traction avant » des DIRECTIVES D'INSTALLATION.</p> <p><input type="checkbox"/></p>
<b>3 - VÉRIFICATION DE L'INTERFÉRENCE</b>
<p><b>EN CAS D'INTERFÉRENCE ENTRE LE VÉHICULE ET LES SYSTÈMES DE TRACTION, CERTAINES PIÈCES DU VÉHICULE DEVRONT POSSIBLEMENT ÊTRE DÉINSTALLÉES OU MODIFIÉES, OU UN ENSEMBLE DE SOULEVEMENT SERA REQUIS, SI APPLICABLE, CONSULTER LA SECTION « COMPLÉTER L'INSTALLATION » DE LA DIRECTIVE D'INSTALLATION.</b></p>
<b>4 - ESSAI ROUTIER</b>
<p><b>ESSAI ROUTIER SUR 1,5 km (1 mille)</b></p> <p><input type="checkbox"/></p>
<b>5 - VÉRIFICATIONS FINALES APRÈS L'ESSAI ROUTIER</b>
<p><b>A - ANGLE D'ATTAQUE DES CHENILLES</b> * Consulter la section « Angle d'attaque » des RÉGLAGES</p> <p><input type="checkbox"/></p>
<p><b>B - ALIGNEMENT DES CHENILLES</b> * Consulter la section « Alignement des chenilles » des RÉGLAGES</p> <p><input type="checkbox"/></p>
<p><b>C - TENSION DES CHENILLES</b> * Consulter la section « Tension des chenilles » des RÉGLAGES</p> <p><input type="checkbox"/></p>

TENSION DE LA CHENILLE

**ATTENTION :** Le boulon d'assemblage du tendeur de chenille doit obligatoirement être desserré avant d'ajuster la tension de la chenille.

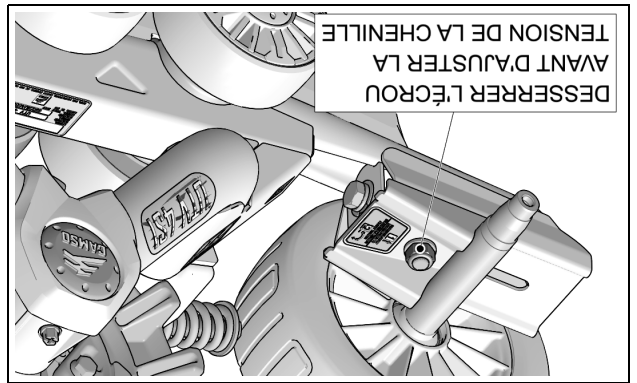


Figure 28

Tourner le boulon d'ajustement de tension dans le sens horaire ou antihoraire pour régler la chenille à la tension recommandée. Voir la Figure 29.

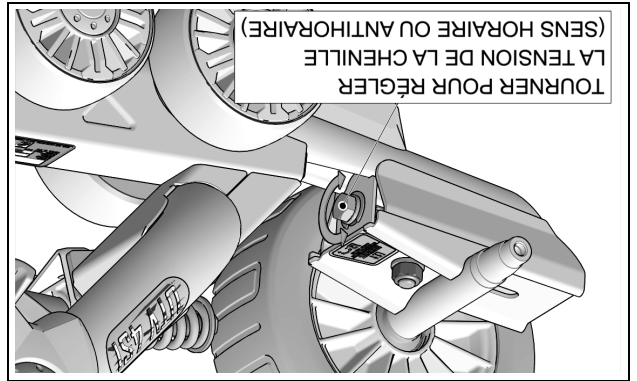


Figure 29

**ATTENTION :** S'assurer de resserrer le boulon d'assemblage du tendeur après avoir complété le réglage de la tension de la chenille.

Le tableau ci-dessous indique la force (1) appliquée et la flèche (2) qui doit se produire pour ajuster adéquatement la tension des chenilles. Voir aussi la Figure 31.

<b>CHENILLE</b>	<b>FORCE</b>	<b>DÉFLEXION</b>
Arrière	13,5 kg [30 lb]	19 mm [ $\frac{3}{4}$ po.]
Avant	13,5 kg [30 lb]	19 mm [ $\frac{3}{4}$ po.]

Principes de réglage

- Si la tension est plus élevée au niveau de la chenille, il est moins probable que celle-ci déraille et on réduit également les risques de glissement au niveau du barbotin.

**NOTE :** Une tension trop élevée peut entraîner une usure prématurée des composantes du système. Une tension trop élevée n'est pas recommandée.

- Une tension moins élevée au niveau de la chenille améliore la traction, le roulement et les économies de carburant.

**NOTE :** L'outil de vérification de la tension de chenille à la Figure 30 peut être acheté par l'intermédiaire d'un concessionnaire Camso autorisé. Le numéro de pièce est 2000-00-3125.



Figure 30

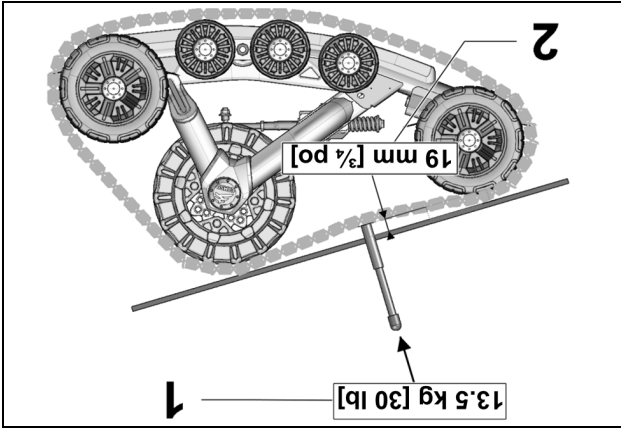


Figure 31

Vérification finale

Conduire le véhicule à basse vitesse sur une distance de 1,5 km [1 mille]. Réajuster au besoin.

**ATTENTION :** Sur certains véhicules, des problèmes mineurs d'interférence entre des composantes du système et le véhicule peuvent survenir lors de la pose des systèmes de traction. Afin de compléter convenablement l'installation, consulter la section « COMPLÉTER L'INSTALLATION » des Directives d'installation pour effectuer les modifications nécessaires au bon fonctionnement du système.

**Mesure A** : Mesurer la distance entre les pneus Ø241 mm avant intérieurs des systèmes de traction avant. Voir les figures 22, 23 et 24.

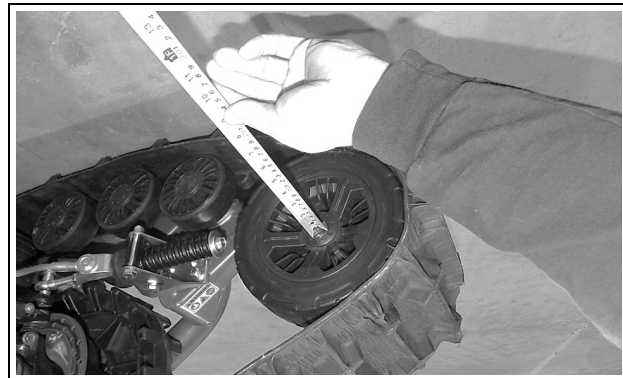
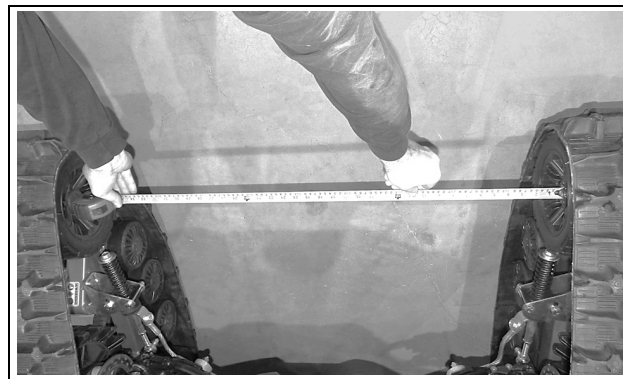


Figure 22

Figure 23 (Distance entre les pneus avant)



**Mesure B** : Mesurer la distance entre les pneus Ø241 mm arrière intérieurs des systèmes de traction avant. Voir les figures 25, 26 et 27.

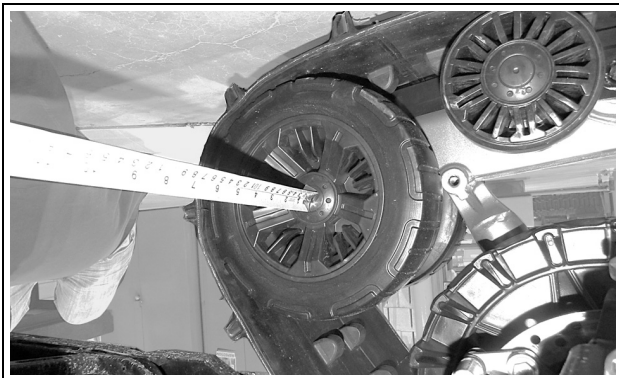


Figure 25

Figure 26 (Distance entre les pneus arrière)

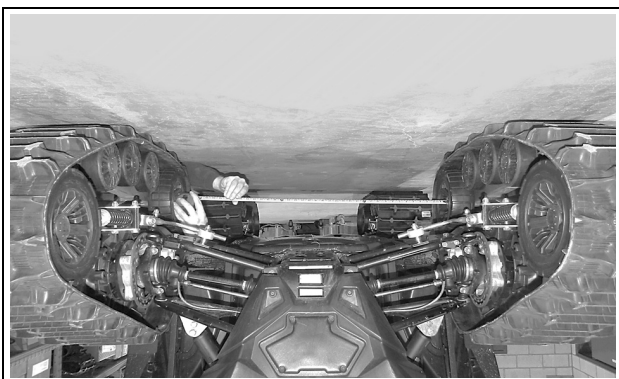


Figure 27



Figure 24



ALIGNEMENT

On exige d'ajuster le parallélisme lorsque que le VCC est placé sur le sol, en déplaçant celui-ci vers l'avant sur environ 3 mètres [10 pi] pour ensuite mesurer le parallélisme. Voir la Figure 20.

NOTE : Chaque fois qu'on doit vérifier la mesure, conduire en marche arrière et repartir ensuite en marche avant sur environ 3 mètres [10 pi].

ATTENTION : Vérifier l'état des composantes de la conduite avant d'effectuer l'ajustement du parallélisme. Des composantes endommagées vont empêcher un ajustement adéquat et nuire au bon fonctionnement du système.

ATTENTION : L'ajustement du parallélisme des systèmes avant est très important et est directement lié à la durée de vie des composantes du système. Veuillez suivre attentivement les recommandations d'ajustement et de vérification du manuel.

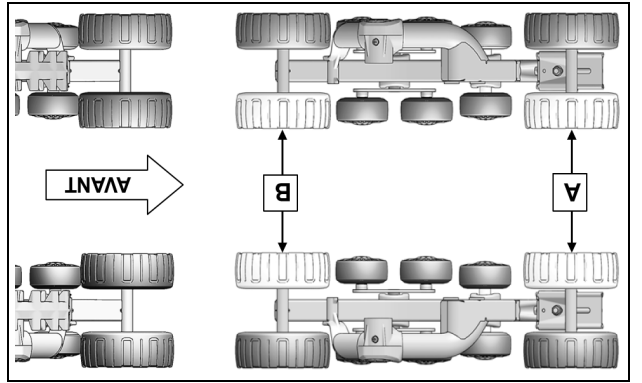


Figure 20

Mesure A : représente la distance entre les pneus avant intérieurs.

Mesure B : représente la distance entre les pneus arrière intérieurs.

La mesure A doit être égale ou supérieure à la mesure B jusqu'à un maximum de 3 mm [1/8 po].

A - B = 0 à 3 mm [1/8 po]

Méthode d'ajustement

Pour effectuer l'ajustement sur le VCC, premièrement débloquer l'écrou (1) de chaque tige d'accouplement (2) de la direction, visser ou dévisser ensuite la tige d'accouplement (2) d'un nombre de tours égal des deux côtés du véhicule. Voir la Figure 21.

NOTE : En débutant avec un ajustement du parallélisme ouvert, vous obtiendrez un ajustement plus précis.

ATTENTION : Lors du déblocage de l'écrou (1) de chaque tige d'accouplement (2) de la direction, certains écrous ont des filets inversés, assurez-vous de débloquer l'écrou dans le bon sens.

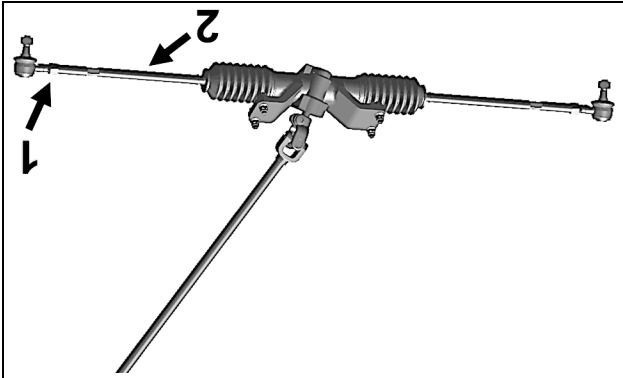


Figure 21

NOTE : Une fois l'ajustement du parallélisme des systèmes avant terminé, contreverifier les mesures afin de confirmer que l'ajustement est bon.

**SUSPENSION INDÉPENDANTE (SI)**

- Le bras stabilisateur (1) doit être fixé à l'ancrage arrière (2) installé sur le véhicule. Figure 15.

NOTE : L'ancrage arrière (2) installé sur le véhicule peut différer de celui montré dans l'illustration.

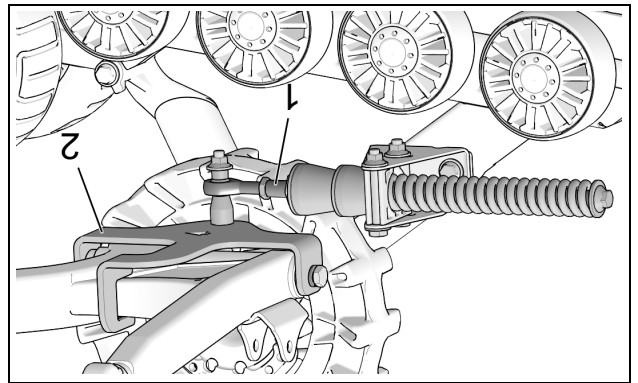


Figure 15

- Desserer les boulons (1) et (2) de l'ancrage antirotation pour permettre à la plaque de support (3) de pivoter sur son axe. Figure 16.

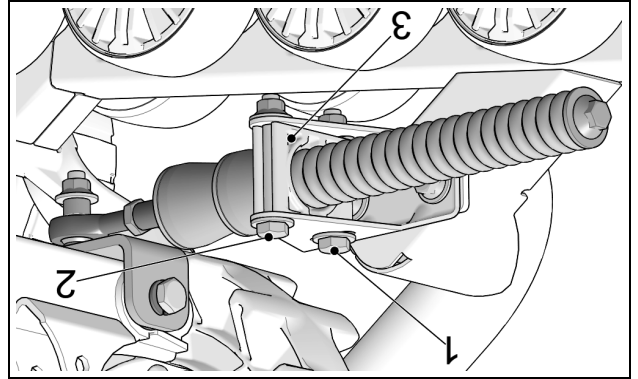


Figure 16

- Ajuster la longueur de l'embout à rotule (1) en tournant l'érou au bras stabilisateur jusqu'à ce que le cône de caoutchouc (2) touche légèrement le support pivotant (3). Voir la Figure 17.

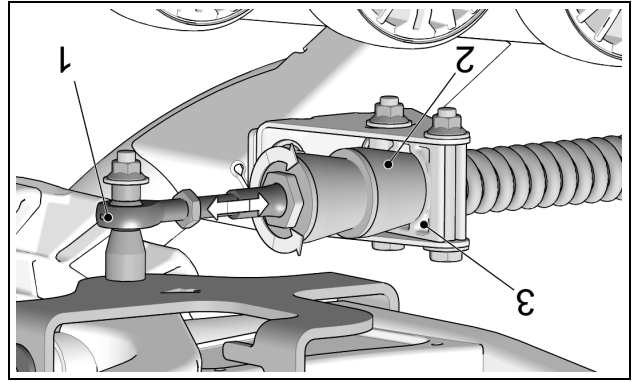


Figure 17

**Principes de réglage (Systèmes arrière) :**

- Un mauvais ajustement comprime et déforme le cône de caoutchouc au bras stabilisateur. Le ressort est difficile ou impossible à tourner à la main au bras stabilisateur.

- Resserrer le contre-écrou (1) à un couple de 40 N•m (30 lb•pi). Voir Figure 18.

ATTENTION : Respecter le couple recommandé lors du serrage. Une surtension au serrage du contre-écrou pourrait endommager la tige de l'embout à rotule.

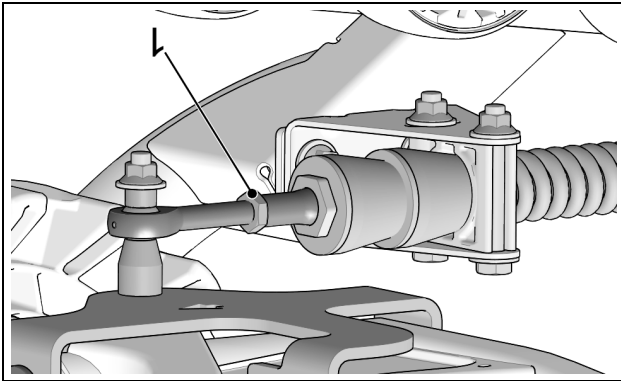


Figure 18

- Resserrer les écrous (1) et (2) de l'ancrage antirotation à un couple 50 N•m [37 lb•pi]. Voir la Figure 19.

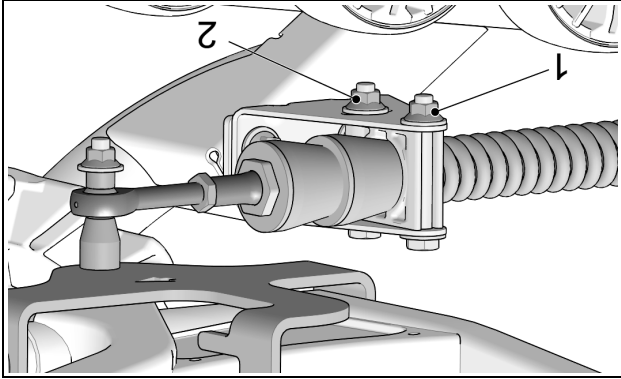


Figure 19

NOTE : Une fois que les ajustements de l'angle d'attaque des systèmes arrière sont terminés, contrevérifier les ajustements.

**DÉMONTAGE**

ATTENTION : Si les ancrages anti-rotation sont laissés aux bras de suspension lors du retrait des systèmes de traction, il peut en résulter des interférences qui peuvent endommager le véhicule. Retirer les composants du système anti-rotation lors de la réinstallation des roues au véhicule.



ANGLE D'ATTAQUE - SYSTEMES TRACTION ARRIÈRE

Pour régler l'angle d'attaque des systèmes arrière, procéder comme suit :

VÉHICULE MUNI D'UNE SUSPENSION À ESSIEU RIGIDE OU AVEC BRAS LONGITUDINAL

**ATTENTION :** Certains véhicules nécessitent un ajustement particulier. Référez-vous à la *Directive d'installation* pour confirmer le bon ajustement.

• Le bras stabilisateur doit être fixé au système de traction (1) et à l'ancrage arrière (2) installé au véhicule. Voir la Figure 10.

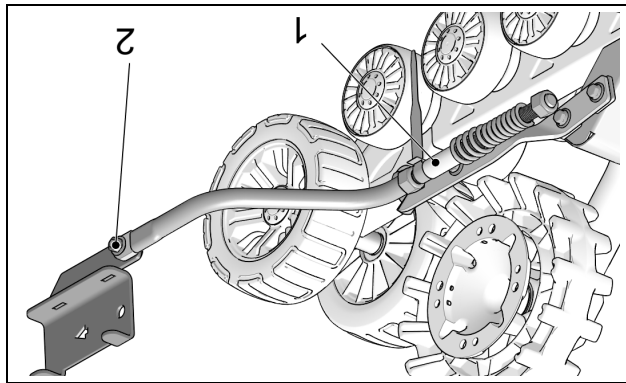


Figure 10

• Desserrer l'écrou (3) comprimant le ressort du bras stabilisateur. Voir la Figure 11.

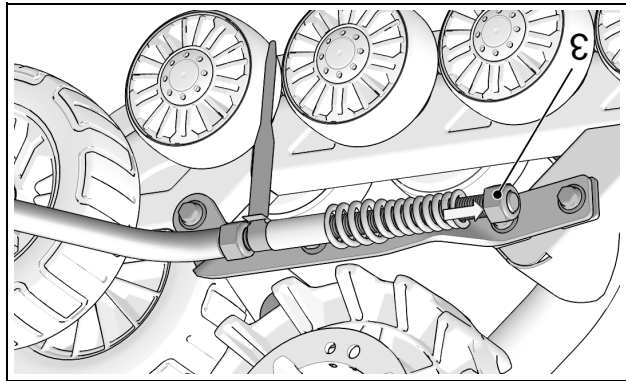


Figure 11

**NOTE :** Utiliser la partie large du gabarit d'ajustement reçu avec le bras stabilisateur comme référence lors de l'ajustement.

• Régler l'écrou (4) afin de produire une distance de 19 mm entre le guide du bras stabilisateur et l'écrou, comme le montre la Figure 12.

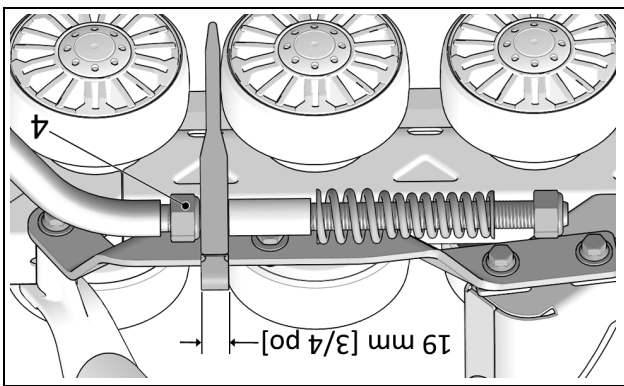


Figure 12

• Tourner l'écrou (3) jusqu'à ce qu'il entre en contact avec le ressort. Comprimer ensuite le ressort en tournant l'écrou de 1,5 tour. Voir la Figure 13.

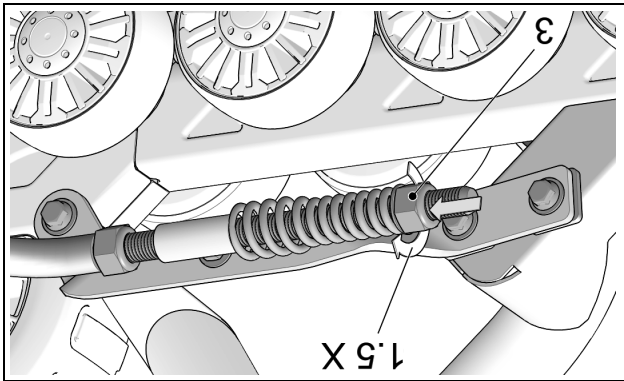


Figure 13

• **IMPORTANT :** Contrôler la distance minimum de 19 mm entre l'écrou et le guide du bras stabilisateur. Réajuster au besoin. Figure 14.

**NOTE :** Utiliser le gabarit fourni pour vérifier le réglage.

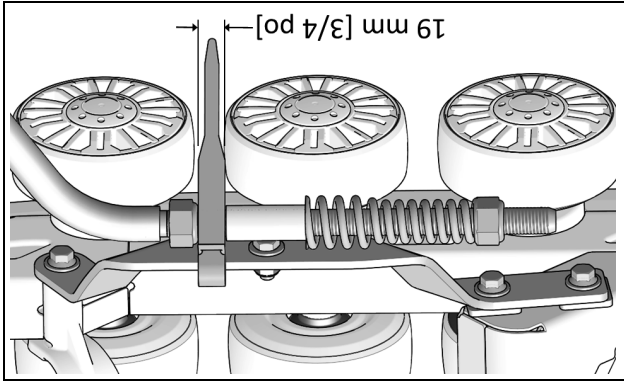


Figure 14

- Une fois le réglage atteint, resserrer le contre-écrou (1) à 40 N•m [30 lb•pi]. Voir la Figure 7.

**ATTENTION :** Respecter le couple recommandé lors du serrage. Une surtension au serrage du contre-écrou pourrait endommager la tige de l'embout à rotule.

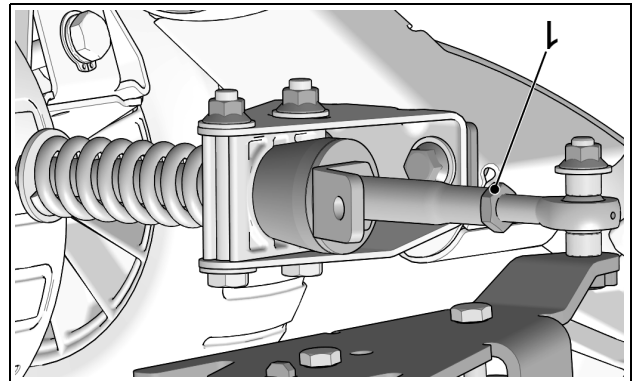


Figure 7

- Resserrer les écrous (1) et (2) de l'ancrage antirotation à 50 N•m [37 lb•pi]. Figure 8.

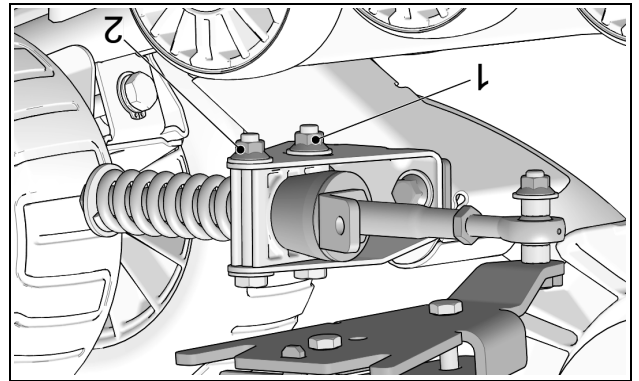


Figure 8

- Le réglage de l'angle d'attaque est correct lorsque la bulle est centrée dans le niveau. Contrôler le réglage en validant la distance entre le dessus des pneus arrière et le sol.

Positionner une barre plate sur le dessus des pneus arrière du système de traction avant et mesurer à partir du sol jusqu'à la barre plate tel que montré à la Figure 9.

**Principes de réglages (Systèmes avant) :**

- Un réglage de plus de 308 mm [12 1/8 po] mesuré à l'aide de la barre plate a pour effet de faciliter la direction mais produit un effet d'instabilité à haute vitesse.
- Un réglage de moins de 308 mm [12 1/8 po] mesuré à l'aide de la barre plate a pour effet de raffermir la direction et d'augmenter la stabilité à haute vitesse.

**NOTE :** Une fois les ajustements de l'angle d'attaque des systèmes avant terminés, révéifier les mesures afin de confirmer les ajustements.

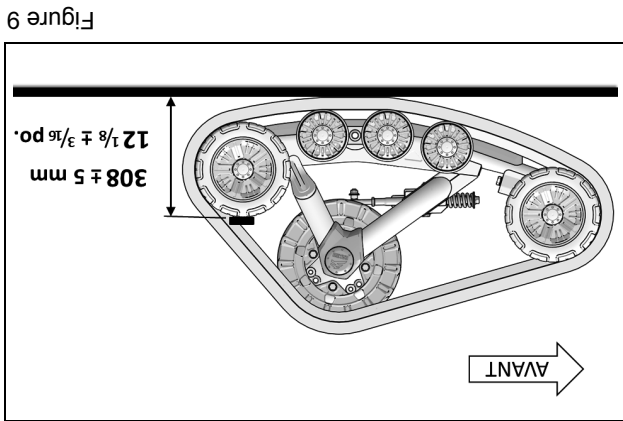


Figure 9

**NOTE :** Pour effectuer les réglages qui suivent, le véhicule doit être au sol sur une surface plane et au niveau.

### ANGLE D'ATTAQUE - SYSTÈMES DE TRACTION AVANT

- Pour régler l'angle d'attaque prescrit au niveau des systèmes avant, procéder comme suit :
- Positionner le volant et les systèmes de chenilles droit devant.
  - Exercer temporairement une pression sur le devant de la chenille pour s'assurer qu'elle repose à plat sur le sol.
  - Le bras stabilisateur (1) doit être fixé à l'ancrage avant (2) installé au véhicule. Voir la Figure 3.

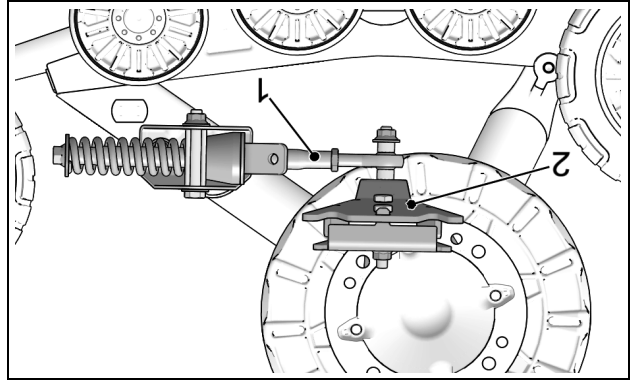


Figure 3

- Un niveau à bulle est fixé à l'intérieur des cadres avant. La bulle doit être parfaitement centrée pour ajuster le système de traction au bon angle d'attaque. Voir la Figure 4.
- NOTE :** Avant chaque vérification de la mesure de l'ajustement, exercer temporairement une pression sur le devant de la chenille pour s'assurer qu'elle repose à plat au sol.

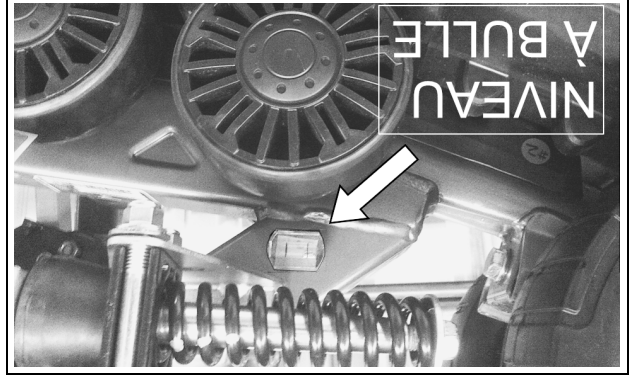


Figure 4

- Desserer les boulons (1) et (2) de l'ancrage anti-rotation afin de permettre à la plaque de support (3) de pivoter librement sur son axe. Voir la Figure 5.

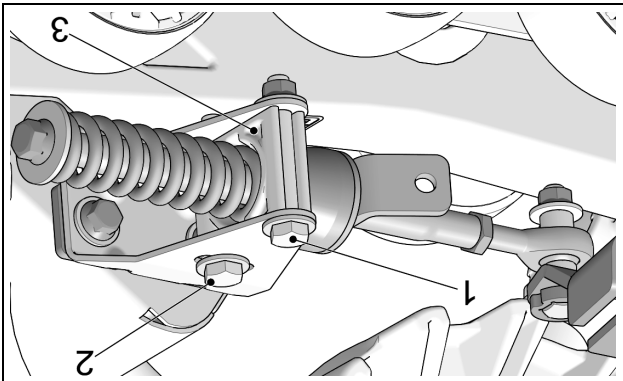


Figure 5

- Desserer le contre-écrou (1) de l'embout à rotule. Ajuster la longueur de l'embout (2) en tournant le support de limiteur de conduite (3) au bras stabilisateur à l'aide d'une clé 30 mm [1 3/16 po] jusqu'à ce que la bulle du niveau soit parfaitement centrée. Voir la Figure 6.
- NOTE :** Aux systèmes avant, la partie pliée du support de limiteur de conduite (3) doit être positionnée vers l'intérieur du véhicule.

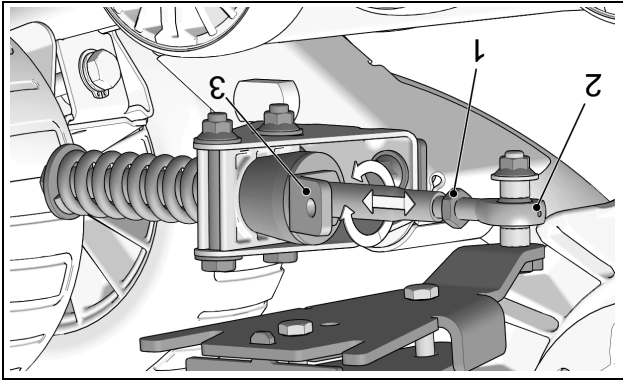


Figure 6

**IMPORTANT**

Avant de débuter l'installation, vérifiez si les numéros de série sont identiques aux 4 systèmes de traction. Le dernier chiffre du numéro (0, 1, 2, 3) indique la position d'installation du système de traction. Placer les systèmes à la position référée. Voir la Figure 1 et la Figure 2.

*NOTE : Si les numéros de série ne concordent pas aux 4 systèmes de traction, contactez votre concessionnaire / distributeur Camso autorisé.*

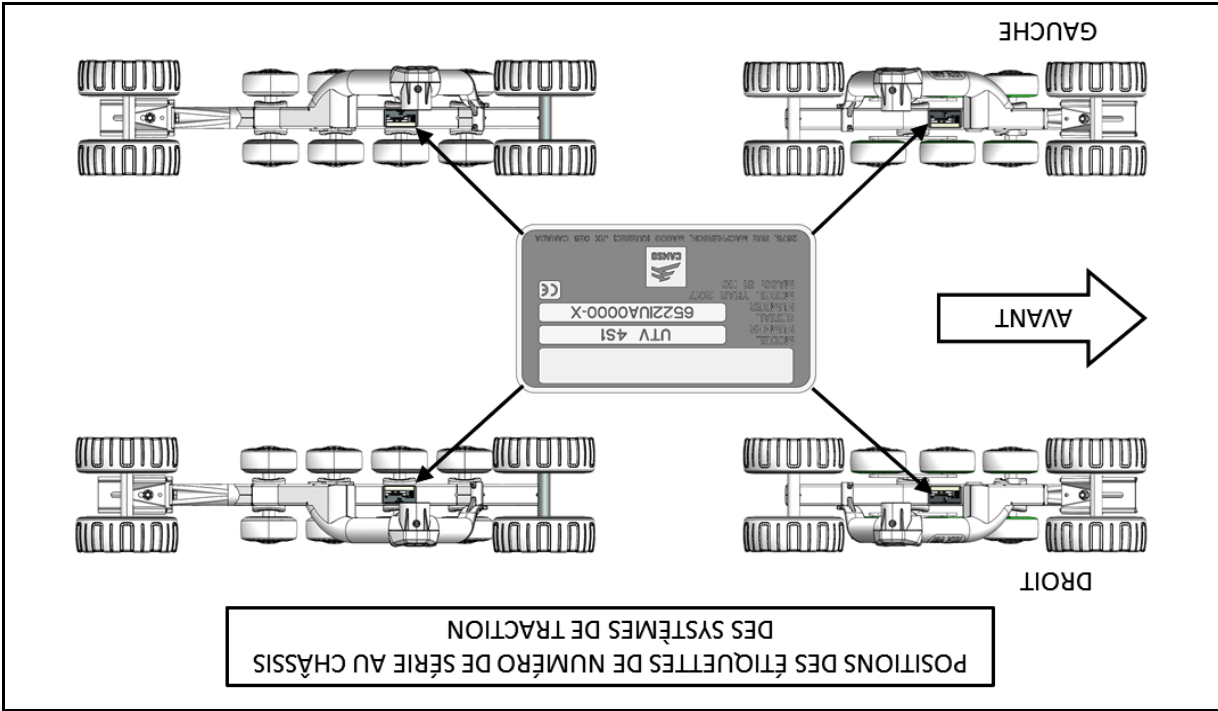


Figure 1

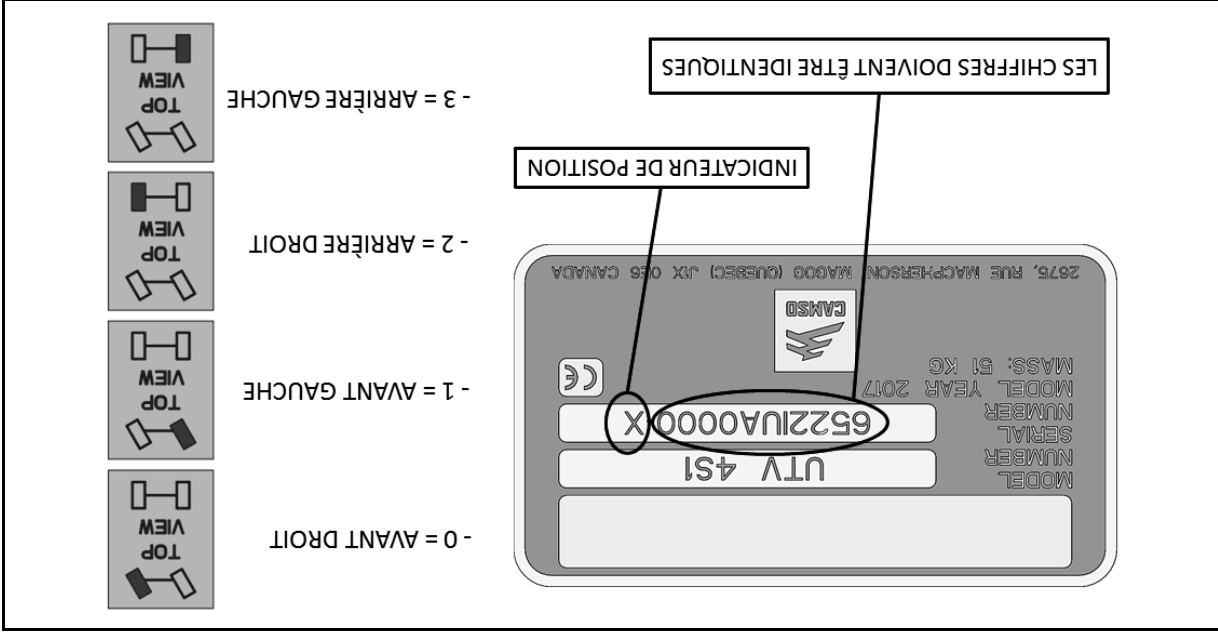


Figure 2

**Camso représente le meilleur de Camoplast et de Solideal. Pour continuer d'avancer tout en restant fidèles à notre passé, nous sommes maintenant Camso et nous sommes libérés de la route.**



AUPARAVANT  
CAMOPLAST  
SOLIDEAL

## INTRODUCTION

Cette directive a pour but de vous fournir l'information nécessaire pour effectuer les réglages au système de traction. Les bons réglages ont un lien direct avec les performances et la durée de vie des composants du système. Il est important de suivre attentivement les instructions contenues dans ce document pour ajuster correctement le système de traction et en obtenir le rendement maximal.

Suivre toutes les instructions contenues dans ce document. Pour s'assurer de ne pas sauter d'étape, utiliser la liste de vérification à la fin du document pour être sûr d'avoir complété tous les réglages.

### IMPORTANT

La garantie ne s'applique pas si l'installation a été effectuée par une personne autre qu'un concessionnaire Camso ou un distributeur autorisé.

### IMPORTANT

Les réglages des systèmes doivent obligatoirement être vérifiés suite à la première utilisation du véhicule. L'alignement, la tension des chenilles et les angles d'attaque des systèmes doivent être contre-vérifiés. De mauvais réglages peuvent nuire aux performances du système et entraîner une usure prématurée ou le bris de certaines composantes.



AUPARAVANT  
CAMOPLAST  
SOLIDAL

LIBÈRES  
DE LA  
ROUTE

CAMSO  


# CAMSO UTV 4S1 POUR VÉHICULES CÔTE-À-CÔTE RÉGLAGES 2017

1099-00-3328