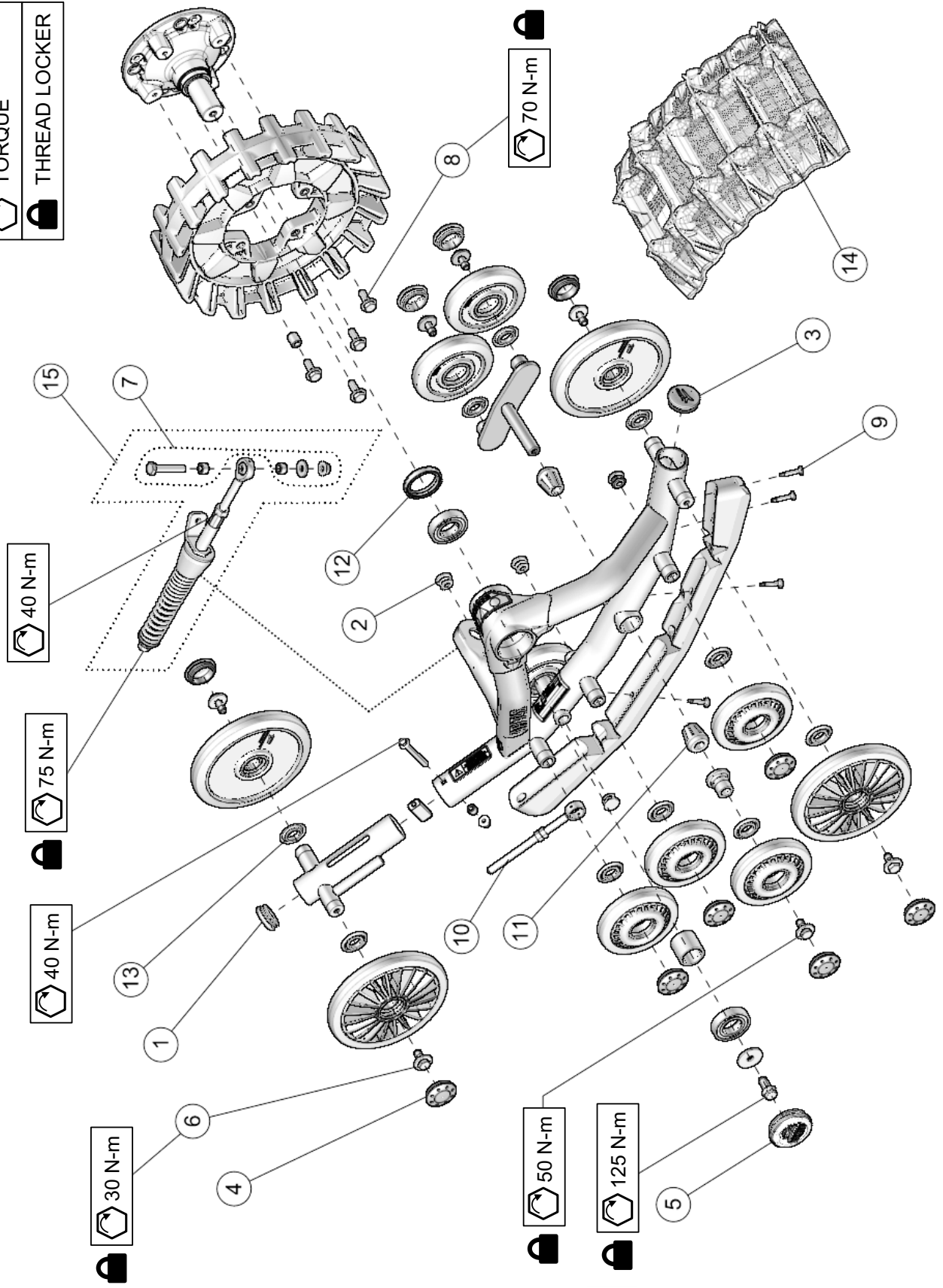


# CAMSO ATV T4S FOR ALL-TERRAIN VEHICLES PARTS LIST 2020

VERSION A





TORQUE  
 THREAD LOCKER





ITEM #	PART #	DESCRIPTION	QTY
		<b>CAMSO ATV T4S MY2020 :: FRONT LEFT &amp; RIGHT</b>	
1	1017-00-0001	FRAME TAIL PLASTIC CAP / CAP DE QUEUE DE CADRE	1
2	1017-00-0005	PLASTIC WHEEL CAP 1" / CAP DE ROUE DE 1"	4
3	1017-00-0010	PLASTIC FRAME CAP 2" / CAP DE CADRE 2"	1
4	1017-00-0042	WHEEL CAP / CAP DE ROUE -- 2"	11
5	1017-00-7150	HUB CAP CAMSO ASS'Y / CAP MOYEU CAMSO ASS.	1
6	1033-10-2026	HCSW, M10-1.5X25, 8.8, ZP, TL, DIN933	7
7	1033-AS-0025	STABILIZING ROD SHORT BOLT KIT / ENS. BOULON COURT BRAS STAB.	1
8	1036-10-4030	HFSCS, M10-1.5X30, 10.9, ZP, TL, DIN 6921	4
9	1049-00-0007	SDSQWS, #12-24X1.5, ZP	4
10	1082-00-7050	TRACK TENSIONER ROD ASS. / TIGE TENDEUR ASS.	1
11	1093-00-7000	RUBBER CONE / CONE DE CAOUTCHOUC	2
12	1093-00-7002	DOUBLE LIPS SHAFT SEAL / JOINT ÉTANCHE DOUBLE	1
13	1093-00-7009	WHEEL SEAL / JOINT D'ÉTANCHÉITÉ -- (25ID X 42OD)	11
14	1093-00-9229	TRACK / CHENILLE -- 11.5 X 93.38 X 1.125 (9229S)	1
15	7001-00-7504	S-KIT STABILIZING ROD - ATV / S-KIT BRAS STABILISATEUR, ATV	1

	TORQUE
	THREAD LOCKER

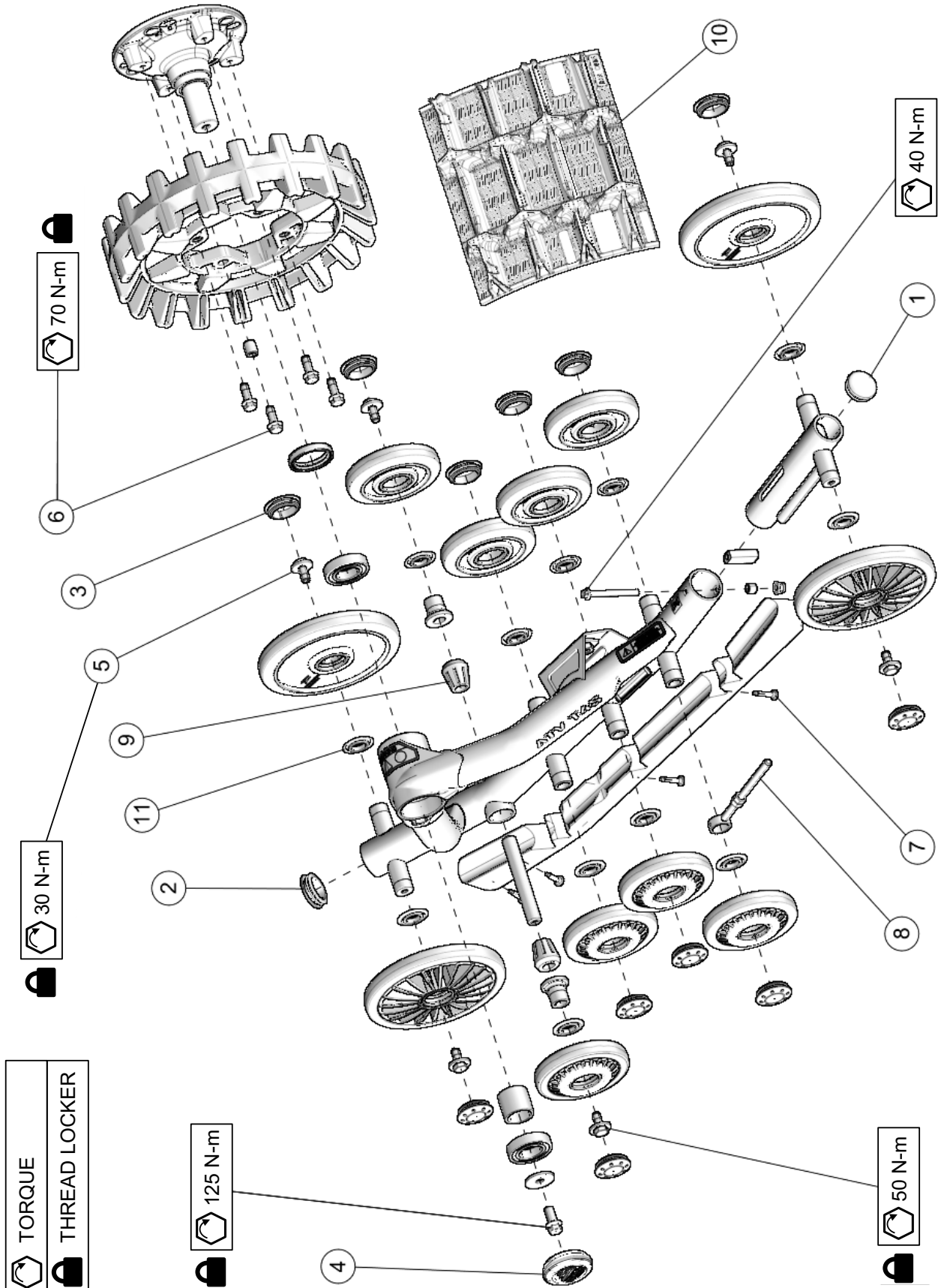
	30 N·m
	

	70 N·m
	

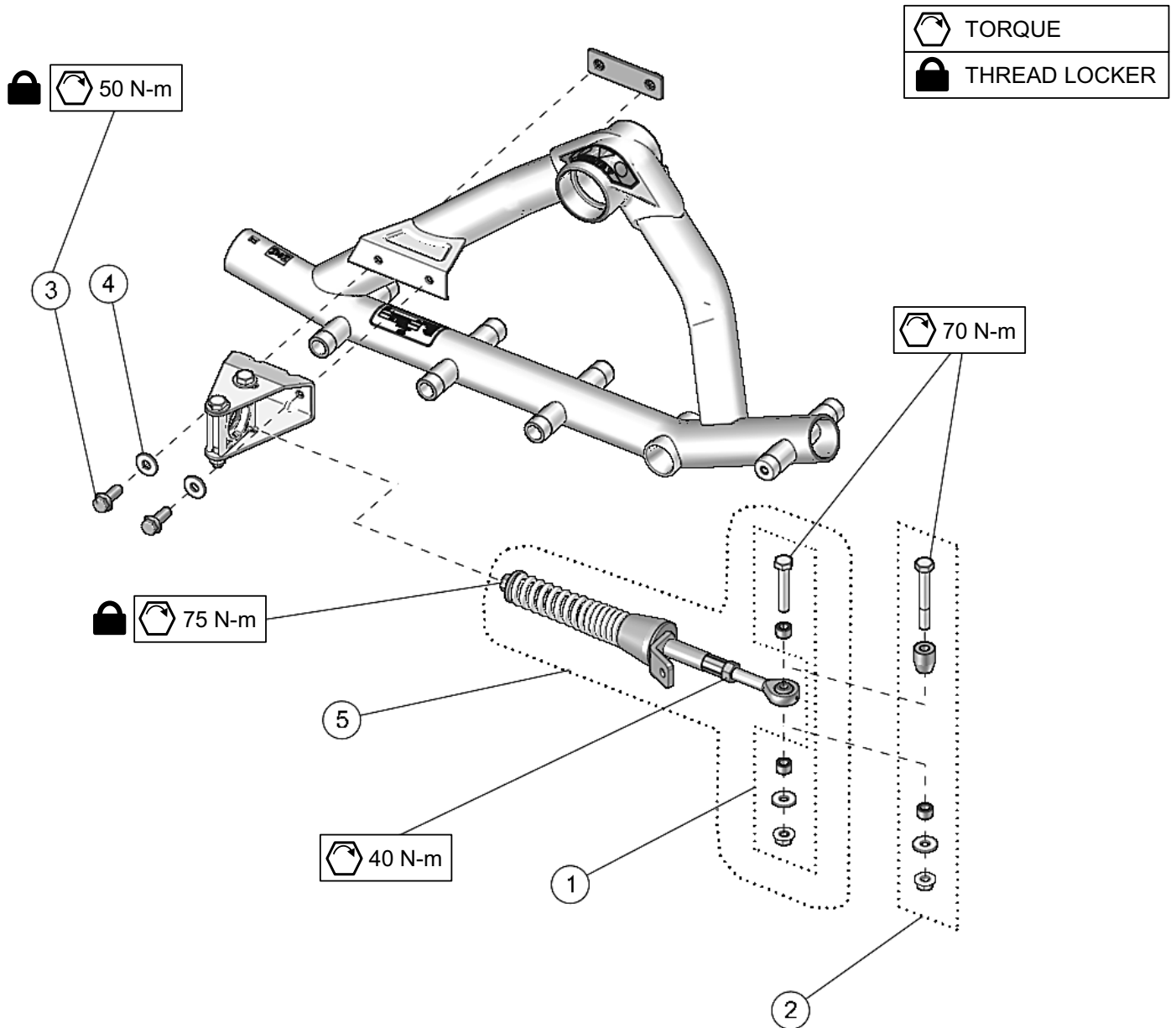
	125 N·m
	

	50 N·m
	



	40 N·m
	



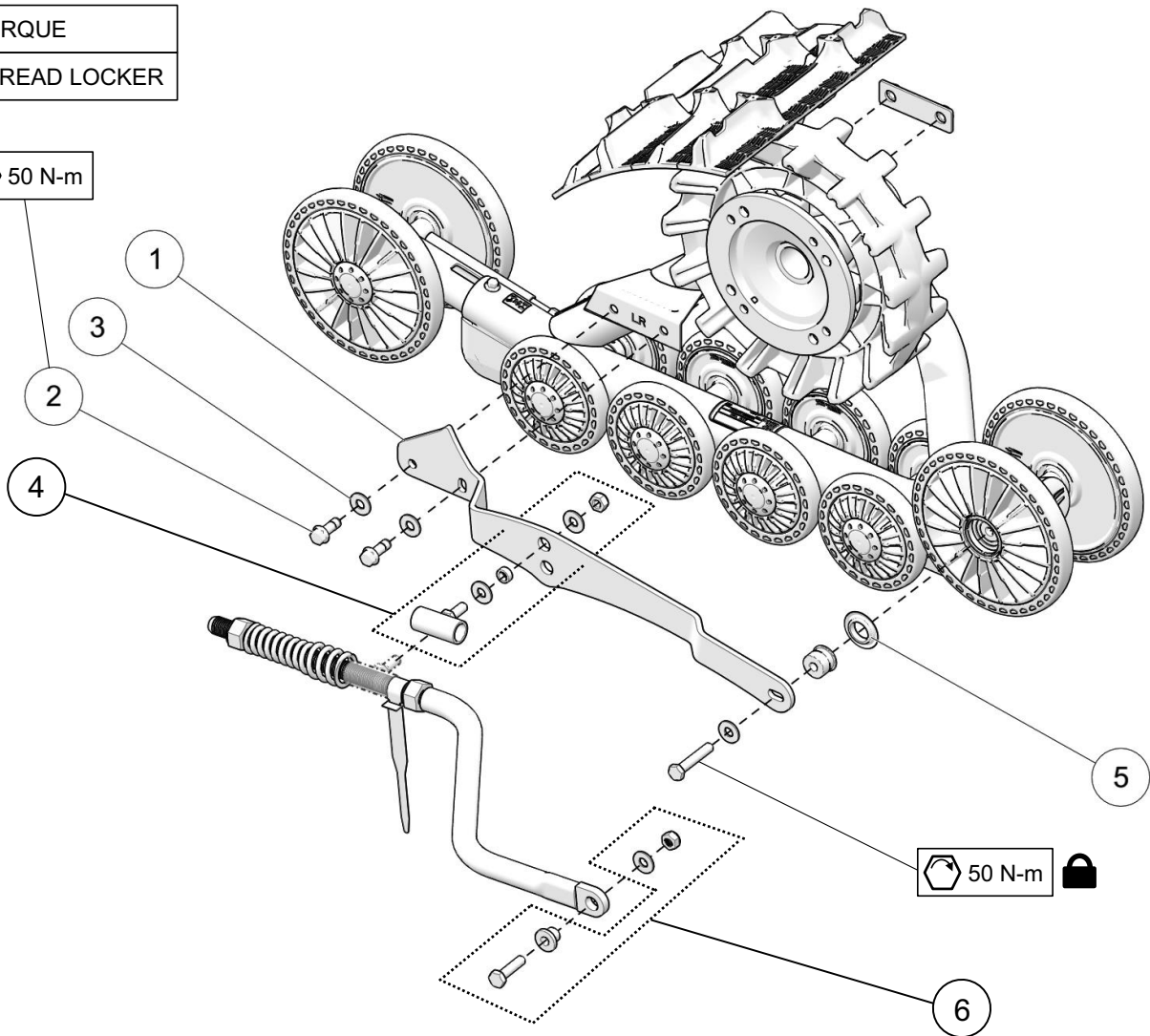
ITEM #	PART #	DESCRIPTION	QTY
		<b>CAMSO ATV T4S MY2020 :: LEFT &amp; RIGHT REAR</b>	
1	1017-00-0001	FRAME TAIL PLASTIC CAP / CAP DE QUEUE DE CADRE	1
2	1017-00-0010	PLASTIC FRAME CAP 2" / CAP DE CADRE 2"	1
3	1017-00-0042	WHEEL CAP / CAP DE ROUE -- 2"	12
4	1017-00-7150	HUB CAP CAMSO ASS'Y / CAP MOYEU CAMSO ASS.	1
5	1033-10-2026	HCSW, M10-1.5X25, 8.8, ZP, TL, DIN933	6
6	1036-10-4030	HFSCS, M10-1.5X30, 10.9, ZP, TL, DIN 6921	4
7	1049-00-0007	SDSQWS, #12-24X1.5, ZP	4
8	1082-00-7050	TRACK TENSIONER ROD ASS'Y / TIGE TENDEUR ASS.	1
9	1093-00-7000	RUBBER CONE / CONE DE CAOUTCHOUC	2
10	1093-00-9228	REAR TRACK / CHENILLE ARRIÈRE -- 12.5 x 98.57 x 1.250 (9228S)	1
11	1093-00-7009	WHEEL SEAL / JOINT D'ÉTANCHÉITÉ -- (25ID X 42OD)	12



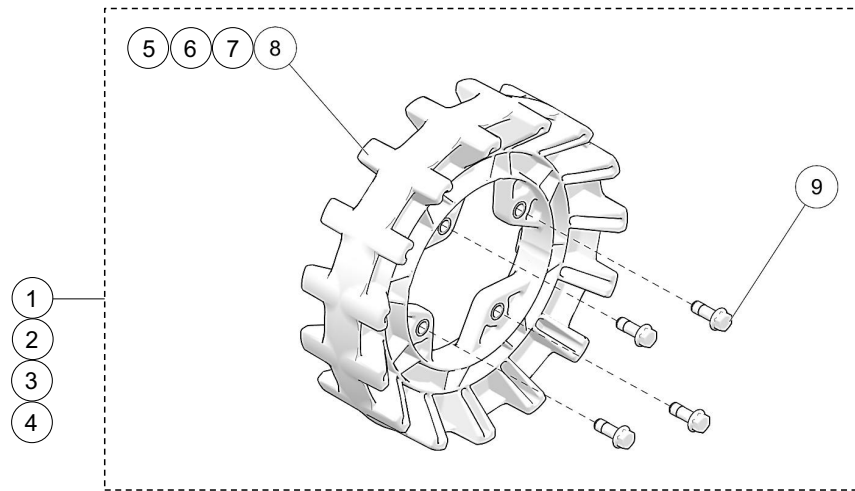
ITEM #	PART #	DESCRIPTION	QTY
<b>CAMSO ATV T4S MY2020 :: INDEPENDENT SUSPENSION (IS)</b>			
1	1033-AS-0025	STABILIZING ROD SHORT BOLT KIT / ENS. BOULON COURT BRAS STABILISATEUR	1
2	1033-AS-0075	STABILIZING ROD LONG BOLT KIT / ENS. BOULON LONG BRAS STABILISATEUR	1
3	1036-10-4030	HFSCS, M10-1.5X30, 10.9, ZP, TL, DIN 6921	2
4	1060-00-0004	W, 7/16X1.0X0.072, 8, ZP, USS	2
5	7001-00-7504	S-KIT STABILIZING ROD - ATV / S-KIT BRAS STABILISATEUR - ATV	1

	TORQUE
	THREAD LOCKER

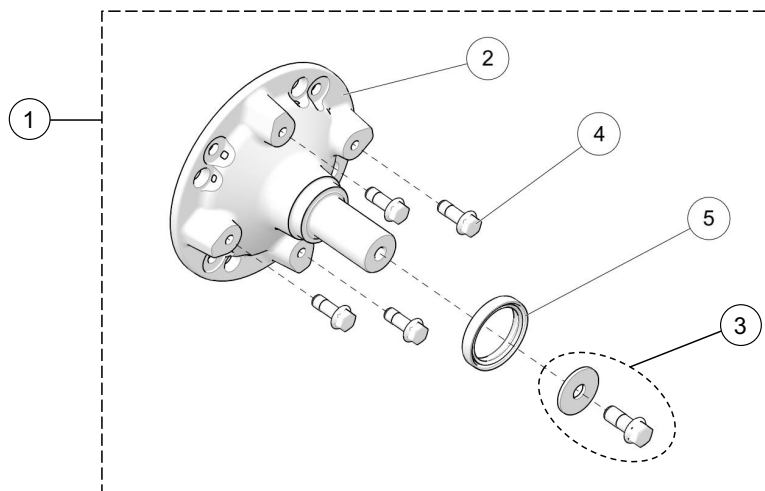
 50 N-m



ITEM #	PART #	DESCRIPTION	QTY
<b>CAMSO ATV T4S MY2020 :: RIGID SUSPENSION (RS)</b>			
1-A	1015-00-7008	ANTI-ROT. BRACKET RIG. SUSP. LEFT / ATTACHE ANTI-ROT. GAUCHE SUSP. RIG.	1
1-B	1015-00-7018	ANTI-ROT. BRACKET RIG. SUSP. RIGHT / ATTACHE ANTI-ROT. DROIT SUSP. RIG.	1
2	1036-10-4030	HFSCS, M10-1.5X30, 10.9, ZP, TL, DIN 6921	2
3	1060-00-0004	W, 7/16X1.0X0.072, 8, ZP, USS	3
4	1080-00-3000	STABILIZING ARM GUIDE ASSY (RS) / GUIDE BRAS STABILISATEUR ASSEMBLÉ (SR)	1
5	1093-00-7009	WHEEL SEAL / JOINT D'ÉTANCHÉITÉ -- (25ID X 42OD)	1
6	7050-00-0024	S-KIT - BUSHING RS, STABILIZING ROD / BAGUE SR , BRAS STABILISATEUR	1

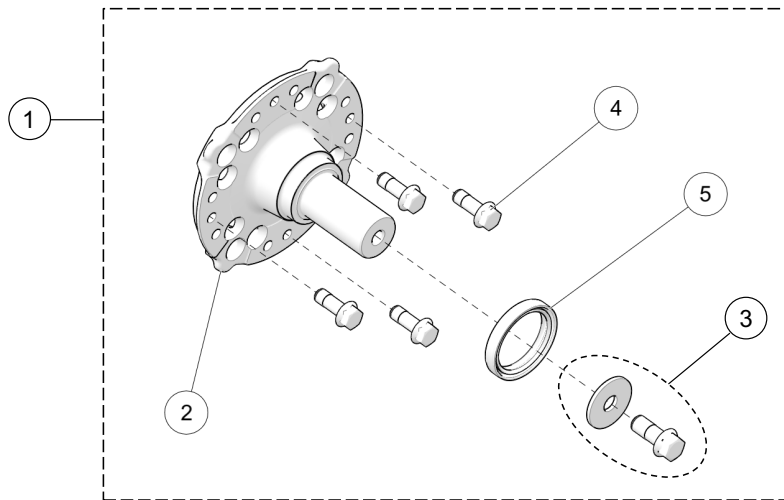


ITEM #	PART #	DESCRIPTION	QTY
<b>CAMSO ATV-UTV MY2020 :: SPROCKET KITS</b>			
1	7009-00-7115	S-KIT 15/4 SPROCKET / BARBOTIN 15/4	1
2	7009-00-7116	S-KIT 16/4 SPROCKET / BARBOTIN 16/4	1
3	7009-00-7117	S-KIT 17/4 SPROCKET / BARBOTIN 17/4	1
4	7009-00-7118	S-KIT 18/4 SPROCKET / BARBOTIN 18/4	1
5	--	SPROCKET 15 TEETH / BARBOTIN 15 DENTS -- T4S	1
6	--	SPROCKET 16 TEETH / BARBOTIN 16 DENTS -- T4S	1
7	--	SPROCKET 17 TEETH / BARBOTIN 17 DENTS -- T4S	1
8	--	SPROCKET 18 TEETH / BARBOTIN 18 DENTS -- T4S	1
9	1036-10-4030	HFSCS, M10-1.5X30, 10.9, ZP, TL, DIN 6921	4

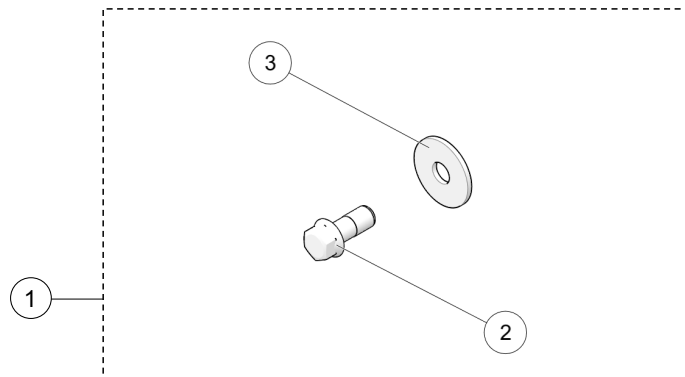


ITEM #	PART #	DESCRIPTION	QTY
<b>CAMSO ATV-UTV MY2020 :: S-KIT POLARIS MULTI HUB</b>			
1	7019-05-0070	S-KIT POLARIS MULTI HUB / S-KIT MOYEU MULTI POLARIS	1
2	--	POLARIS MULTI HUB ASS'Y / MOYEU MULTI POLARIS ASS.	1
3	1033-AS-0066	WHEEL HUB BOLT KIT / ENSEMBLE BOULON MOYEU	1
4	1036-10-4030	HFSCS, M10-1.5X30, 10.9, ZP, TL, DIN 6921	4
5	1093-00-7002	DOUBLE LIPS SHAFT SEAL / JOINT ÉTANCHE DOUBLE	1

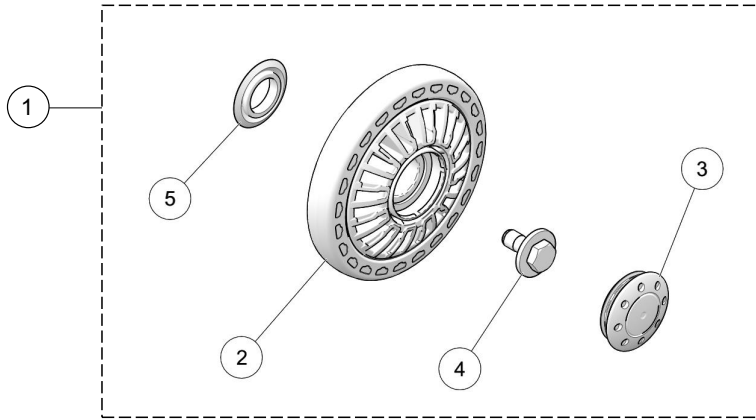




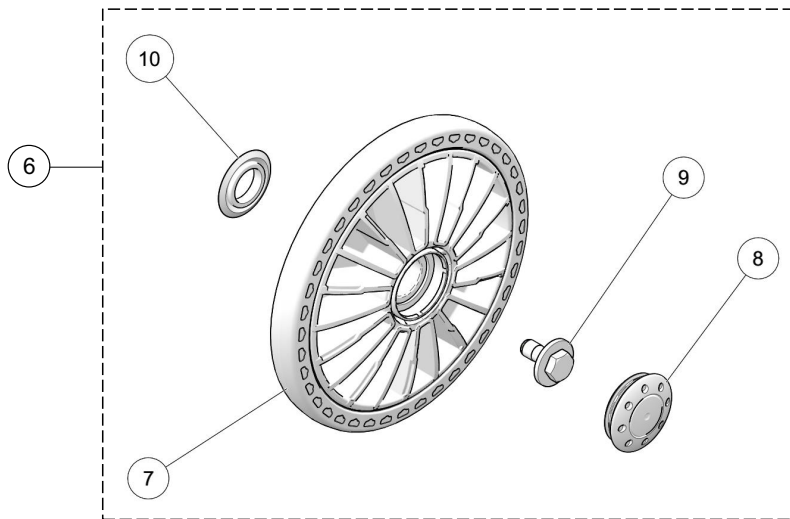
ITEM #	PART #	DESCRIPTION	QTY
<b>CAMSO ATV-UTV MY2020 :: S-KIT MULTI MODEL HUB</b>			
1	7019-77-0015	S-KIT MULTI MODEL HUB / S-KIT MOYEU MULTI MODÈLE	1
2	--	MULTI MODEL HUB ASS'Y / MOYEU MULTI MODÈLE ASS.	1
3	1033-AS-0066	WHEEL HUB BOLT KIT / ENSEMBLE BOULON MOYEU	1
4	1036-10-4030	HFSCS, M10-1.5X30, 10.9, ZP, TL, DIN 6921	4
5	1093-00-7002	DOUBLE LIPS SHAFT SEAL / JOINT ÉTANCHE DOUBLE	1



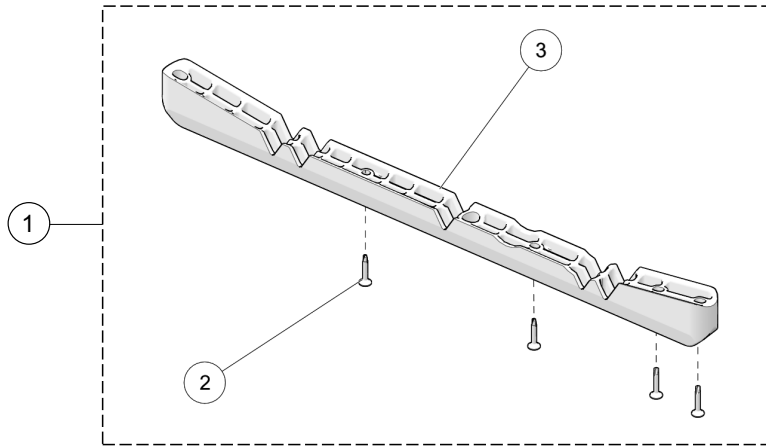
ITEM #	PART #	DESCRIPTION	QTY
<b>CAMSO ATV - UTV MY2020 :: WHEEL HUB BOLT KIT</b>			
1	1033-AS-0066	WHEEL HUB BOLT KIT / ENSEMBLE BOULON MOYEU	1
2	--	HFSCS, M12-1.75X30, 10.9, ZP, TL, DIN 6921	1
3	--	W, 1.625, 0.515, 11GA.	1



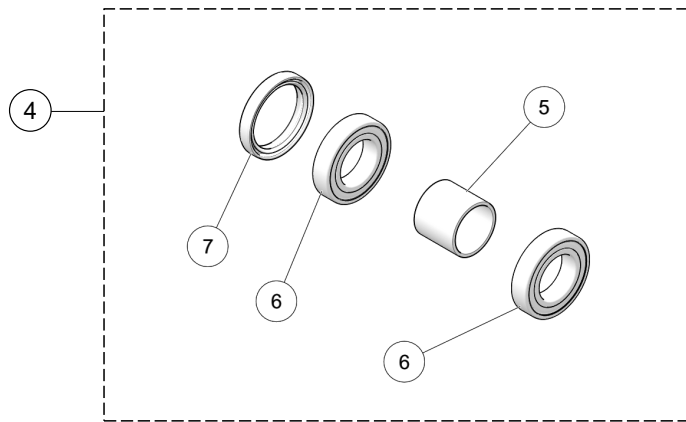
ITEM #	PART #	DESCRIPTION	QTY
		<b>CAMSO ATV T4S - ATV R4S MY2020 :: 134 MM WHEEL KIT</b>	
1	7016-00-0134	REPLACEMENT WHEEL KIT / ROUE DE REMPLACEMENT -- 134MM-2015	1
2	--	INJECTION ATV WHEEL / ROUE ATV INJ. -- 134 MM	1
3	1017-00-0042	WHEEL CAP / CAP DE ROUE -- 2"	1
4	1033-10-2026	HCSW, M10-1.5X25, 8.8, ZP, TL, DIN933	1
5	1093-00-7009	WHEEL SEAL / JOINT D'ÉTANCHÉITÉ -- (25ID X 42OD)	1



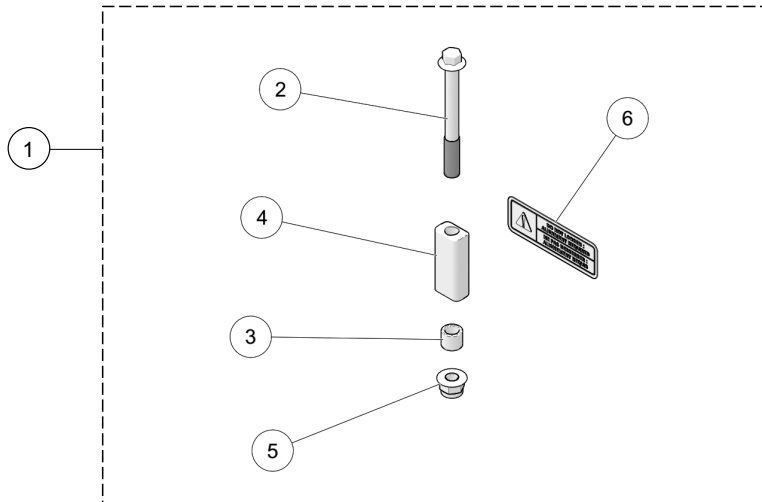
ITEM #	PART #	DESCRIPTION	QTY
		<b>CAMSO ATV T4S MY2020 :: 202 MM WHEEL KIT</b>	
6	7016-00-0202	REPLACEMENT WHEEL KIT / ENS. ROUE DE REMPLACEMENT -- 202 MM	1
7	--	INJECTION ATV WHEEL / ROUE ATV INJ. -- 202 MM	1
8	1017-00-0042	WHEEL CAP / CAP DE ROUE -- 2"	1
9	1033-10-2026	HEX BOLT / BOULON HEX -- HCSW, M10-1.5X25, 8.8, ZP, TL, DIN933	1
10	1093-00-7009	WHEEL SEAL / JOINT D'ÉTANCHÉITÉ -- (25ID X 42OD)	1



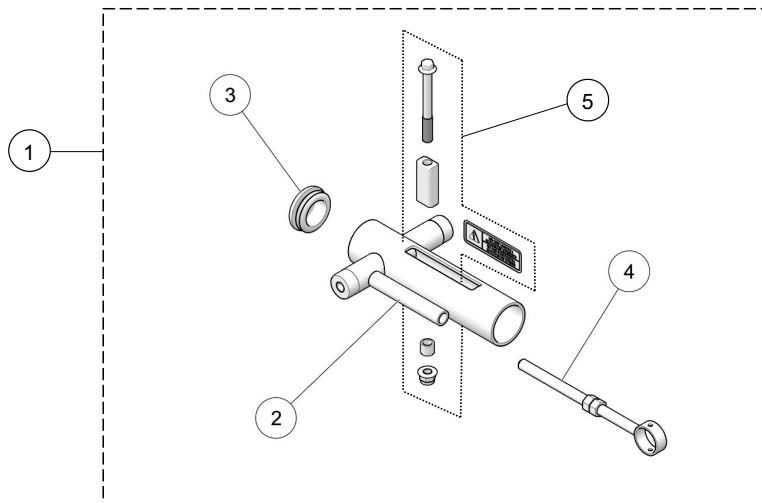
ITEM #	PART #	DESCRIPTION	QTY
<b>CAMSO ATV T4S MY2020 :: TRACK GUIDE KIT</b>			
1	7085-00-7010	S-KIT ATV GUIDE / S-KIT GUIDE ATV	1
2	1049-00-0007	SDSQWS, #12-24X1.5, ZP	4
3	--	TRACK GUIDE / GUIDE DE CHENILLE -- ATV T4S	1



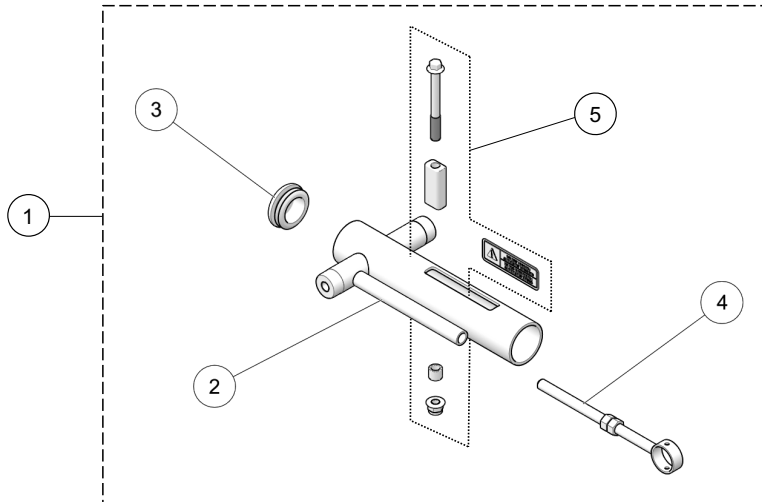
ITEM #	PART #	DESCRIPTION	QTY
<b>CAMSO ATV T4S - ATV R4S MY2020 :: HUB BEARING KIT</b>			
4	7090-00-0001	S-KIT ATV UTV 2 BEARINGS / S-KIT ATV UTV 2 ROULEMENTS	1
5	--	BUSHING SPINDLE HUB / ESPACEUR ROULEMENT	1
6	--	BEARING / ROULEMENT -- 6007	2
7	1093-00-7002	DOUBLE LIPS SHAFT SEAL / JOINT ÉTANCHE DOUBLE	1



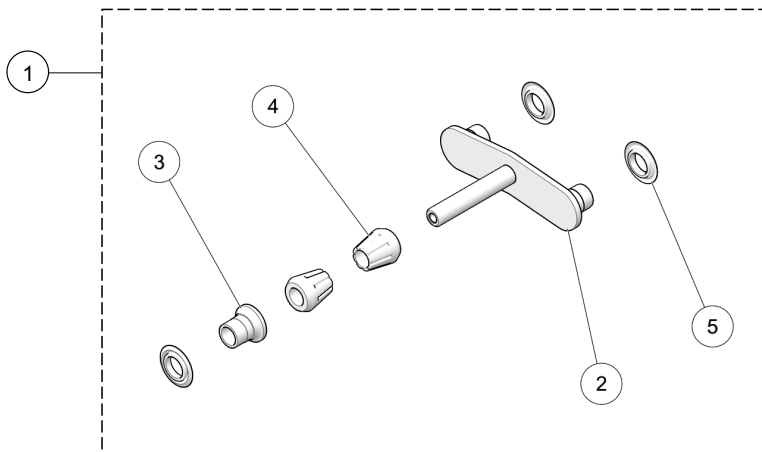
ITEM #	PART #	DESCRIPTION	QTY
		<b>CAMSO ATV T4S MY2020 :: TENSIONER BUSHING KIT</b>	
1	7051-00-0112	S-KIT ATV TENSIONER BUSHING / S-KIT BAGUE TENDEUR ATV	1
2	--	HFCS, M8-1.25X80, 10.9, ZP, IFI536	1
3	--	SLIDE BUSHING / ESPACEUR	1
4	--	TENSIONER BUSHING / COUSSINET TENDEUR	1
5	--	FNN, M8-1.25, 10, ZP, DIN6926	1
6	--	STICKER - DO NOT LOOSEN / DÉCALQUE - NE PAS DESSERRER	1



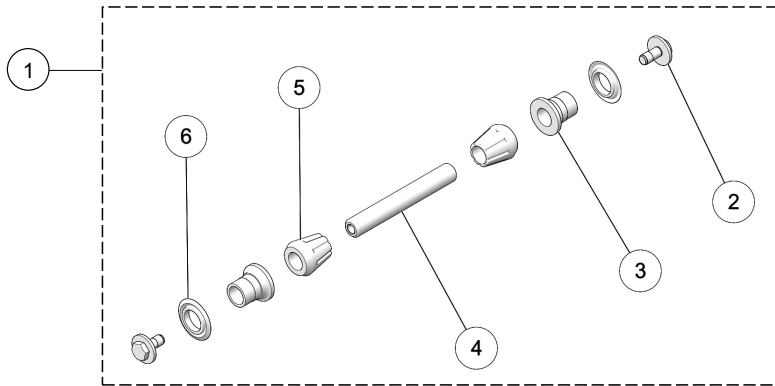
ITEM #	PART #	DESCRIPTION	QTY
		<b>CAMSO ATV T4S MY2020 :: SHORT TRACK TENSIONER KIT</b>	
1	7014-00-7222	S-KIT ATV SHORT TENSIONER / S-KIT TENDEUR CHENILLE ATV COURT	1
2	--	TRACK TENSIONER / TENDEUR CHENILLE -- ATV T4S	1
3	1017-00-0001	FRAME TAIL PLASTIC CAP / CAP DE QUEUE DE CADRE	1
4	1082-00-7050	TRACK TENSIONER ROD ASS. / TIGE TENDEUR ASS.	1
5	7051-00-0112	S-KIT ATV TENSIONER BUSHING / S-KIT BAGUE TENDEUR ATV	1



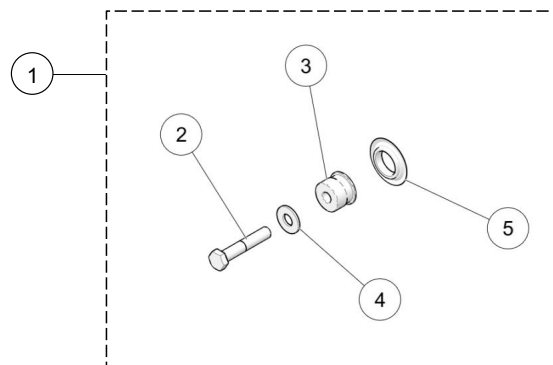
ITEM #	PART #	DESCRIPTION	QTY
		<b>CAMSO ATV T4S MY2020 :: LONG TRACK TENSIONER KIT</b>	
1	7014-00-7322	S-KIT ATV LONG TENSIONER / S-KIT TENDEUR CHENILLE ATV LONG	1
2	--	LONG TRACK TENSIONER / TENDEUR CHENILLE LONG -- ATV T4S	1
3	1017-00-0001	FRAME TAIL PLASTIC CAP / CAP DE QUEUE DE CADRE	1
4	1082-00-7050	TRACK TENSIONER ROD ASS. / TIGE TENDEUR ASS.	1
5	7051-00-0112	S-KIT ATV TENSIONER BUSHING / S-KIT BAGUE TENDEUR ATV	1



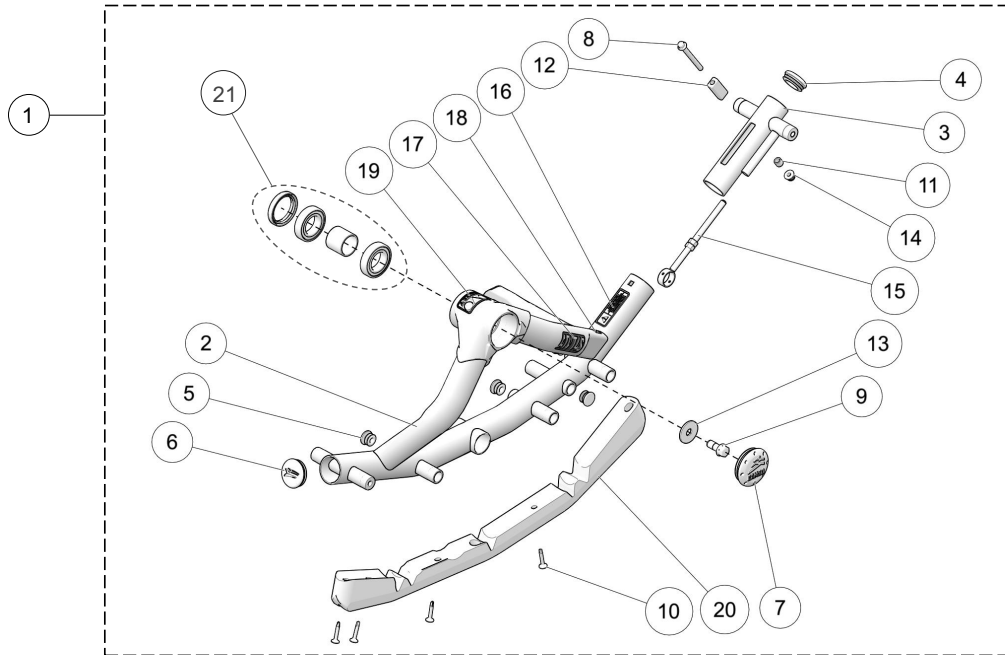
ITEM #	PART #	DESCRIPTION	QTY
		<b>CAMSO ATV T4S MY2020 :: STABILIZER KIT</b>	
1	7015-00-7010	S-KIT ATV STABILIZER / S-KIT STABILISATEUR ATV	1
2	--	STABILIZER / STABILISATEUR	1
3	--	WHEEL AXLE, STABILIZER / AXE DE ROUE, STABILISATEUR	1
4	1093-00-7000	RUBBER CONE / CONE DE CAOUTCHOUC	2
5	1093-00-7009	WHEEL SEAL / JOINT D'ÉTANCHÉITÉ -- (25ID X 42OD)	3



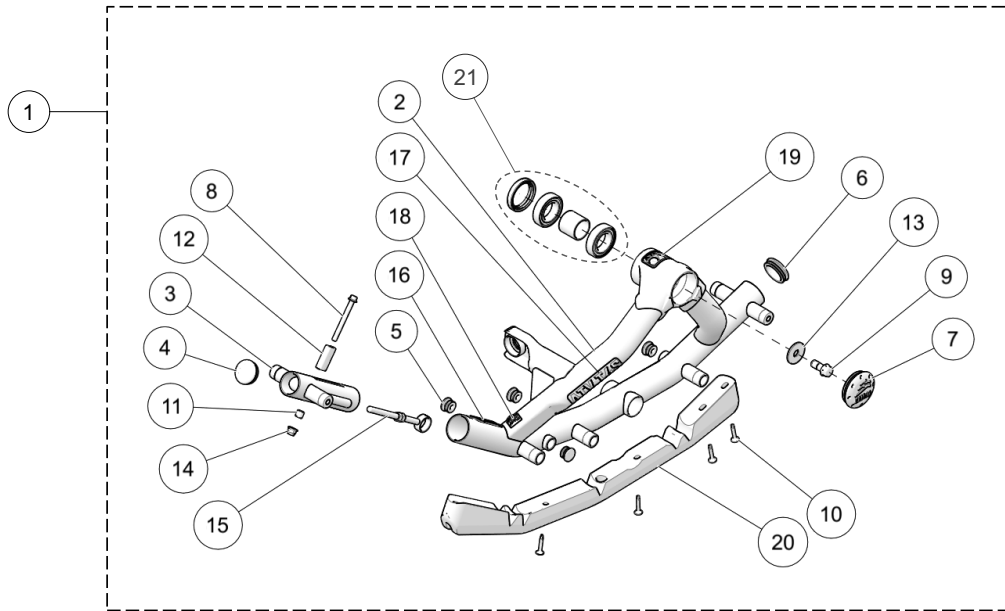
ITEM #	PART #	DESCRIPTION	QTY
<b>CAMSO ATV T4S MY2020 :: REAR AXLE STABILIZER</b>			
1	7082-00-7012	S-KIT ATV REAR AXLE STABILIZER / AXE STABILISATEUR ARRIÈRE ATV	1
2	1033-10-2026	HEX BOLT / BOULON HEX -- HCSW, M10-1.5X25, 8.8, ZP, TL, DIN933	2
3	--	WHEEL AXLE, STABILIZER / AXE DE ROUE, STABILISATEUR	2
4	--	AXLE, REAR STABILIZER / AXE STABILISATEUR ARRIÈRE	1
5	1093-00-7000	RUBBER CONE / CONE DE CAOUTCHOUC	2
6	1093-00-7009	WHEEL SEAL / JOINT D'ÉTANCHÉITÉ -- (25ID X 42OD)	2



ITEM #	PART #	DESCRIPTION	QTY
<b>CAMSO ATV T4S MY2020 :: BUSHING RIGID SUSPENSION</b>			
1	7051-00-0060	S-KIT BUSHING RIGID SUSPENSION - ATV / BAGUE SUSP. RIGIDE - ATV	1
2	1033-10-0055	HCS, M10-1.5X55, 8.8, ZP, DIN931	1
3	--	SPACER WHEEL ASSY / ESPACEUR ROUE -- Ø202MM	1
4	1060-00-0004	W, 7/16X1.0X0.072, 8, ZP, USS	1
5	1093-00-7009	WHEEL SEAL / JOINT D'ÉTANCHÉITÉ -- (25ID X 42OD)	1

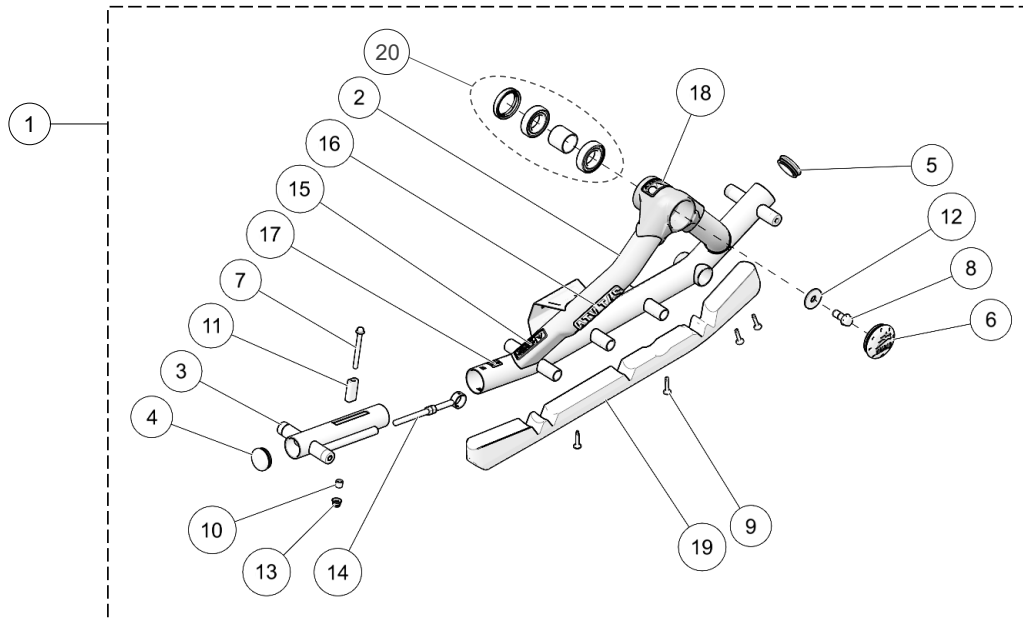


ITEM #	PART #	DESCRIPTION	QTY
		<b>CAMSO ATV T4S MY2020 :: FRONT RIGHT FRAME</b>	
1	7010-00-7222	S-KIT FRAME FR ATV 2012-2015 / S-KIT CHASSIS AVD ATV 2012-2015	1
2	--	RH FRONT FRAME / CHÂSSIS AV. DROIT -- ATV T4S	1
3	--	TENSIONER / TENDEUR -- ATV T4S	1
4	1017-00-0001	FRAME TAIL PLASTIC CAP / CAP DE QUEUE DE CADRE	1
5	1017-00-0005	PLASTIC WHEEL CAP 1" / CAP DE ROUE DE 1"	4
6	1017-00-0010	PLASTIC FRAME CAP 2" / CAP DE CADRE 2"	1
7	1017-00-7150	HUB CAP CAMSO ASS'Y / CAP MOYEU CAMSO ASS.	1
8	--	HFCS, M8-1.25X80, 10.9, ZP, IFI536	1
9	--	HFSCS, M12-1.75X30, 10.9, ZP, TL, DIN 6921	1
10	1049-00-0007	SDSQWS, #12-24X1.5, ZP	4
11	--	SLIDE BUSHING / ESPACEUR	1
12	--	TENSIONER BUSHING / COUSSINET TENDEUR	1
13	--	W, 1.625, 0.515, 11GA.	1
14	--	FNN, M8-1.25, 10, ZP, DIN6926	1
15	1082-00-7050	TRACK TENSIONER ROD ASS. / TIGE TENDEUR ASS.	1
16	--	STICKER - DO NOT LOOSEN / DÉCALQUE - NE PAS DESSERRER	1
17	--	STICKER / DÉCALQUE -- CAMSO ATV T4S	1
18	--	STICKER, FRONT RIGHT PICTOGRAM / DÉCALQUE PICTOGRAMME AVD	1
19	--	STICKER WARNING / AUTOCOLLANT AVERTISSEMENT	1
20	--	TRACK GUIDE / GUIDE DE CHENILLE -- ATV T4S	1
21	7090-00-0001	S-KIT ATV UTV 2 BEARINGS / S-KIT ATV UTV 2 ROULEMENTS	1

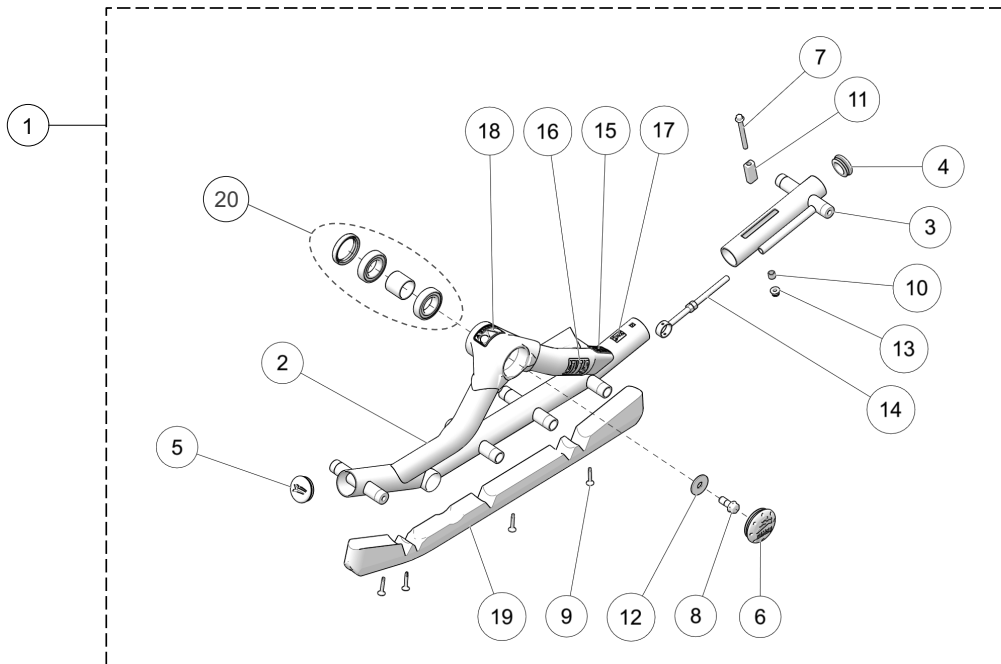


ITEM #	PART #	DESCRIPTION	QTY
		<b>CAMSO ATV T4S MY2020 :: FRONT LEFT FRAME</b>	
1	7011-00-7222	S-KIT FRAME FL ATV 2012-2015 / S-KIT CHASSIS AVG ATV 2012-2015	1
2	--	LH FRONT FRAME / CHÂSSIS AV. GAUCHE -- ATV T4S	1
3	--	TENSIONER / TENDEUR -- ATV T4S	1
4	1017-00-0001	FRAME TAIL PLASTIC CAP / CAP DE QUEUE DE CADRE	1
5	1017-00-0005	PLASTIC WHEEL CAP 1" / CAP DE ROUE DE 1"	4
6	1017-00-0010	PLASTIC FRAME CAP 2" / CAP DE CADRE 2"	1
7	1017-00-7150	HUB CAP CAMSO ASS'Y / CAP MOYEU CAMSO ASS.	1
8	--	HFCS, M8-1.25X80, 10.9, ZP, IFI536	1
9	--	HFSCS, M12-1.75X30, 10.9, ZP, TL, DIN 6921	1
10	1049-00-0007	SDSQWS, #12-24X1.5, ZP	4
11	--	SLIDE BUSHING / ESPACEUR	1
12	--	TENSIONER BUSHING / COUSSINET TENDEUR	1
13	--	W, 1.625, 0.515, 11GA.	1
14	--	FNN, M8-1.25, 10, ZP, DIN6926	1
15	1082-00-7050	TRACK TENSIONER ROD ASS. / TIGE TENDEUR ASS.	1
16	--	STICKER - DO NOT LOOSEN / DÉCALQUE - NE PAS DESSERRER	1
17	--	STICKER / DÉCALQUE -- CAMSO ATV T4S	1
18	--	STICKER, FRONT LEFT PICTOGRAM / DÉCALQUE PICTOGRAMME AVG	1
19	--	STICKER WARNING / AUTOCOLLANT AVERTISSEMENT	1
20	--	TRACK GUIDE / GUIDE DE CHENILLE -- ATV T4S	1
21	7090-00-0001	S-KIT ATV UTV 2 BEARINGS / S-KIT ATV UTV 2 ROULEMENTS	1

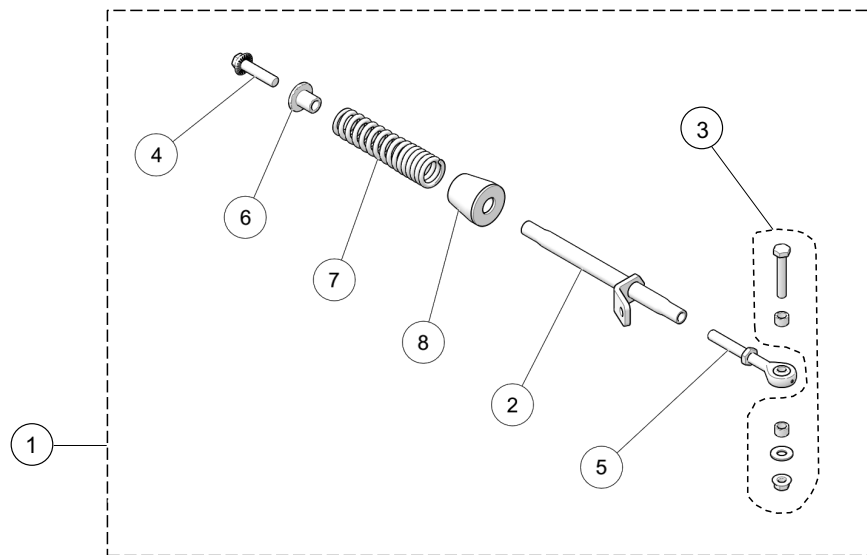




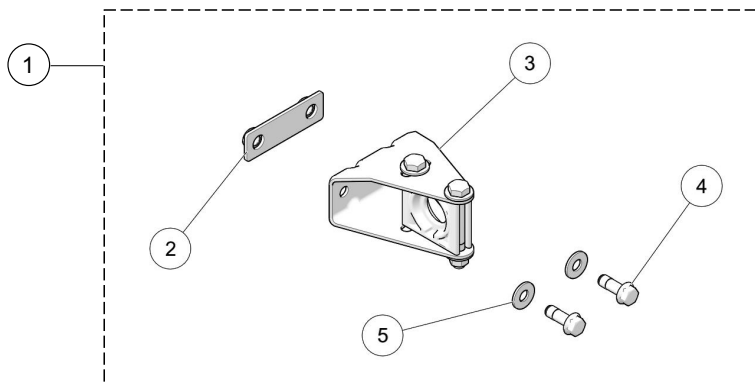
ITEM #	PART #	DESCRIPTION	QTY
		<b>CAMSO ATV T4S MY2020 :: REAR RIGHT FRAME</b>	
1	7012-00-7222	S-KIT FRAME RR ATV 2012-2015 / S-KIT CHASSIS ARD ATV 2012-2015	1
2	--	RH REAR FRAME / CHÂSSIS AR. DROIT -- ATV T4S	1
3	--	TENSIONER / TENDEUR -- ATV T4S	1
4	1017-00-0001	FRAME TAIL PLASTIC CAP / CAP DE QUEUE DE CADRE	1
5	1017-00-0010	PLASTIC FRAME CAP 2" / CAP DE CADRE 2"	1
6	1017-00-7150	HUB CAP CAMSO ASS'Y / CAP MOYEU CAMSO ASS.	1
7	--	HFCS, M8-1.25X80, 10.9, ZP, IFI536	1
8	--	HFCS, M12-1.75X30, 10.9, ZP, TL, DIN 6921	1
9	1049-00-0007	SDSQWS, #12-24X1.5, ZP	4
10	--	SLIDE BUSHING / ESPACEUR	1
11	--	TENSIONER BUSHING / COUSSINET TENDEUR	1
12	--	W, 1.625, 0.515, 11GA.	1
13	--	FNN, M8-1.25, 10, ZP, DIN6926	1
14	1082-00-7050	TRACK TENSIONER ROD ASS. / TIGE TENDEUR ASS.	1
15	--	STICKER - DO NOT LOOSEN / DÉCALQUE - NE PAS DESSERRER	1
16	--	STICKER / DÉCALQUE -- CAMSO ATV T4S	1
17	--	STICKER, REAR RIGHT PICTOGRAM / DÉCALQUE PICTOGRAMME ARD	1
18	--	STICKER WARNING / AUTOCOLLANT AVERTISSEMENT	1
19	--	TRACK GUIDE / GUIDE DE CHENILLE -- ATV T4S	1
20	7090-00-0001	S-KIT ATV UTV 2 BEARINGS / S-KIT ATV UTV 2 ROULEMENTS	1



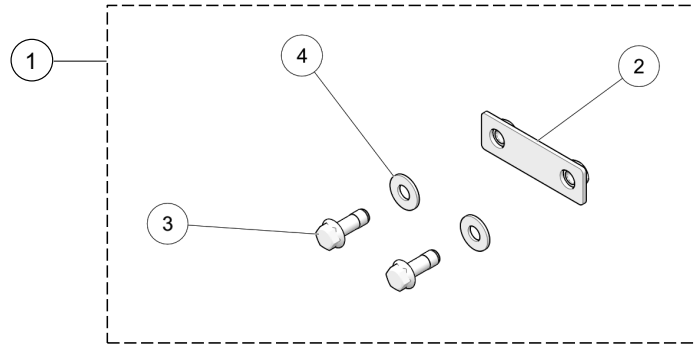
ITEM #	PART #	DESCRIPTION	QTY
		<b>CAMSO ATV T4S MY2020 :: REAR LEFT FRAME</b>	
1	7013-00-7222	S-KIT FRAME RL ATV 2012-2015 / S-KIT CHASSIS ARG ATV 2012-2015	1
2	--	LH REAR FRAME / CHÂSSIS AR. GAUCHE -- ATV T4S	1
3	--	TENSIONER / TENDEUR -- ATV T4S	1
4	1017-00-0001	FRAME TAIL PLASTIC CAP / CAP DE QUEUE DE CADRE	1
5	1017-00-0010	PLASTIC FRAME CAP 2" / CAP DE CADRE 2"	1
6	1017-00-7150	HUB CAP CAMSO ASS'Y / CAP MOYEU CAMSO ASS.	1
7	--	HFCS, M8-1.25X80, 10.9, ZP, IFI536	1
8	--	HFSCS, M12-1.75X30, 10.9, ZP, TL, DIN 6921	1
9	1049-00-0007	SDSQWS, #12-24X1.5, ZP	4
10	--	SLIDE BUSHING / ESPACEUR	1
11	--	TENSIONER BUSHING / COUSSINET TENDEUR	1
12	--	W, 1.625, 0.515, 11GA.	1
13	--	FNN, M8-1.25, 10, ZP, DIN6926	1
14	1082-00-7050	TRACK TENSIONER ROD ASS. / TIGE TENDEUR ASS.	1
15	--	STICKER - DO NOT LOOSEN / DÉCALQUE - NE PAS DESSERRER	1
16	--	STICKER / DÉCALQUE -- CAMSO ATV T4S	1
17	--	STICKER, REAR LEFT PICTOGRAM / DÉCALQUE PICTOGRAMME ARG	1
18	--	STICKER WARNING / AUTOCOLLANT AVERTISSEMENT	1
19	--	TRACK GUIDE / GUIDE DE CHENILLE -- ATV T4S	1
20	7090-00-0001	S-KIT ATV UTV 2 BEARINGS / S-KIT ATV UTV 2 ROULEMENTS	1



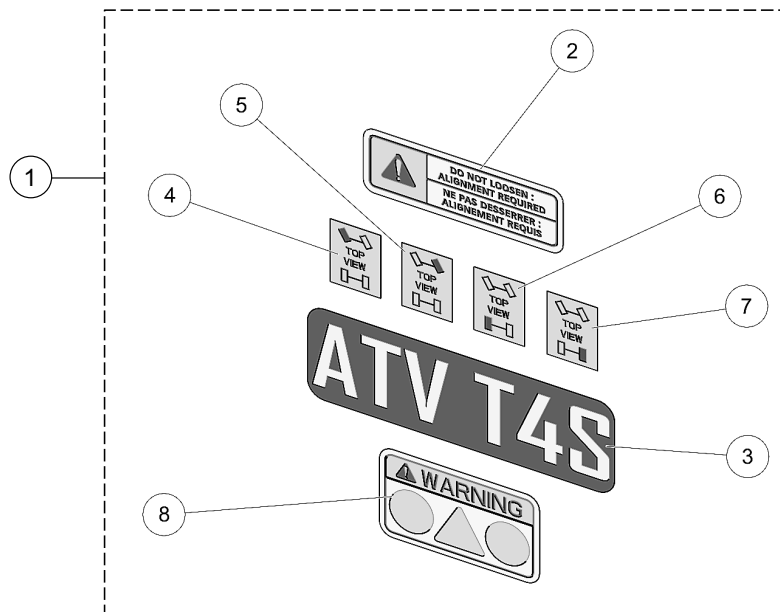
ITEM #	PART #	DESCRIPTION	QTY
		<b>CAMSO ATV T4S MY2020 :: STABILIZING ROD - ATV</b>	
1	7001-00-7504	S-KIT STABILIZING ROD - ATV / S-KIT BRAS STABILISATEUR - ATV	1
2	--	SHORT ANTI-ROTATION ROD / TIGE ANTI-ROTATION COURTE	1
3	1033-AS-0025	STABILIZING ROD SHORT BOLT KIT / ENS. BOULON COURT BRAS STAB.	1
4	1036-12-D050	HFSCS, M12-1.75X50, 8.8, ZP, FULL THREAD	1
5	1047-12-1090	X-LONG ROD END / TIGE À ŒIL X-LONGUE	1
6	1050-00-0081	T-BUSHING / BAGUE EN T	1
7	1080-00-0054	COMPRESSION SPRING / RESSORT COMPRESSION - 138/285 LBS/IN	1
8	1093-00-7050	RUBBER DAMPER / AMORTISSEUR DE CAOUTCHOUC	1



ITEM #	PART #	DESCRIPTION	QTY
		<b>CAMSO ATV-UTV T4S MY2020 :: ANTI-ROTATION INDEPENDENT SUSPENSION</b>	
1	7015-00-8250	S-KIT ANTI-ROTATION IND. SUSPENSION / S-KIT ANTIROT. SUSP. IND.	1
2	--	BACK PLATE / PLAQUE DE FIXATION	1
3	--	ANTI-ROTATION BRACKET IND SUSP / ATTACHE ANTI-ROTATION SI	1
4	1036-10-4030	HFSCS, M10-1.5X30, 10.9, ZP, TL, DIN 6921	2
5	1060-00-0004	W, 7/16X1.0X0.072, 8, ZP, USS	2



ITEM #	PART #	DESCRIPTION	QTY
<b>CAMSO ATV-UTV MY2020 :: BACK PLATE</b>			
1	7015-00-7026	S-KIT BACK PLATE / S-KIT PLAQUE DE FIXATION	1
2	--	BACK PLATE / PLAQUE DE FIXATION	1
3	1036-10-4030	HFSCS, M10-1.5X30, 10.9, ZP, TL, DIN 6921	2
4	1060-00-0004	W, 7/16X1.0X0.072, 8, ZP, USS	2



ITEM #	PART #	DESCRIPTION	QTY
<b>CAMSO ATV T4S MY2020 :: DECALS</b>			
1	7083-00-7410	S-KIT, DECALS ATV 2017 - 1 TRACK / DECALQUES ATV 2017 - 1 CHENILLE	1
2	--	STICKER - DO NOT LOOSEN / DÉCALQUE - NE PAS DESSERRER	1
3	--	STICKER / DÉCALQUE -- CAMSO ATV T4S	1
4	--	STICKER, FRONT LEFT PICTOGRAM / DÉCALQUE PICTOGRAMME AVG	1
5	--	STICKER, FRONT RIGHT PICTOGRAM / DÉCALQUE PICTOGRAMME AVD	1
6	--	STICKER, REAR LEFT PICTOGRAM / DÉCALQUE PICTOGRAMME ARG	1
7	--	STICKER, REAR RIGHT PICTOGRAM / DÉCALQUE PICTOGRAMME ARD	1
8	--	STICKER WARNING / AUTOCOLLANT AVERTISSEMENT	1