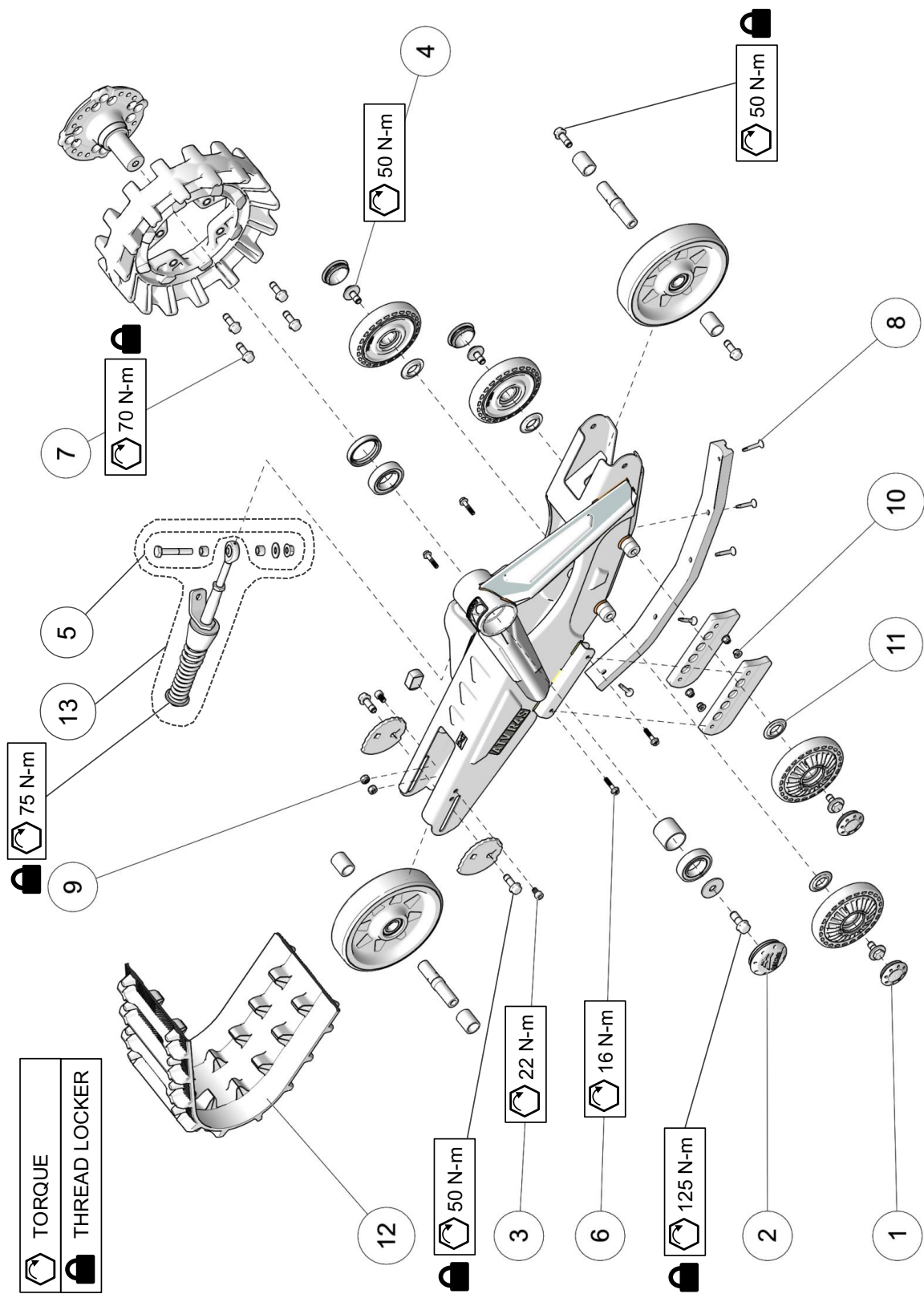


CAMSO ATV R4S FOR ALL-TERRAIN VEHICLES PARTS LIST 2020

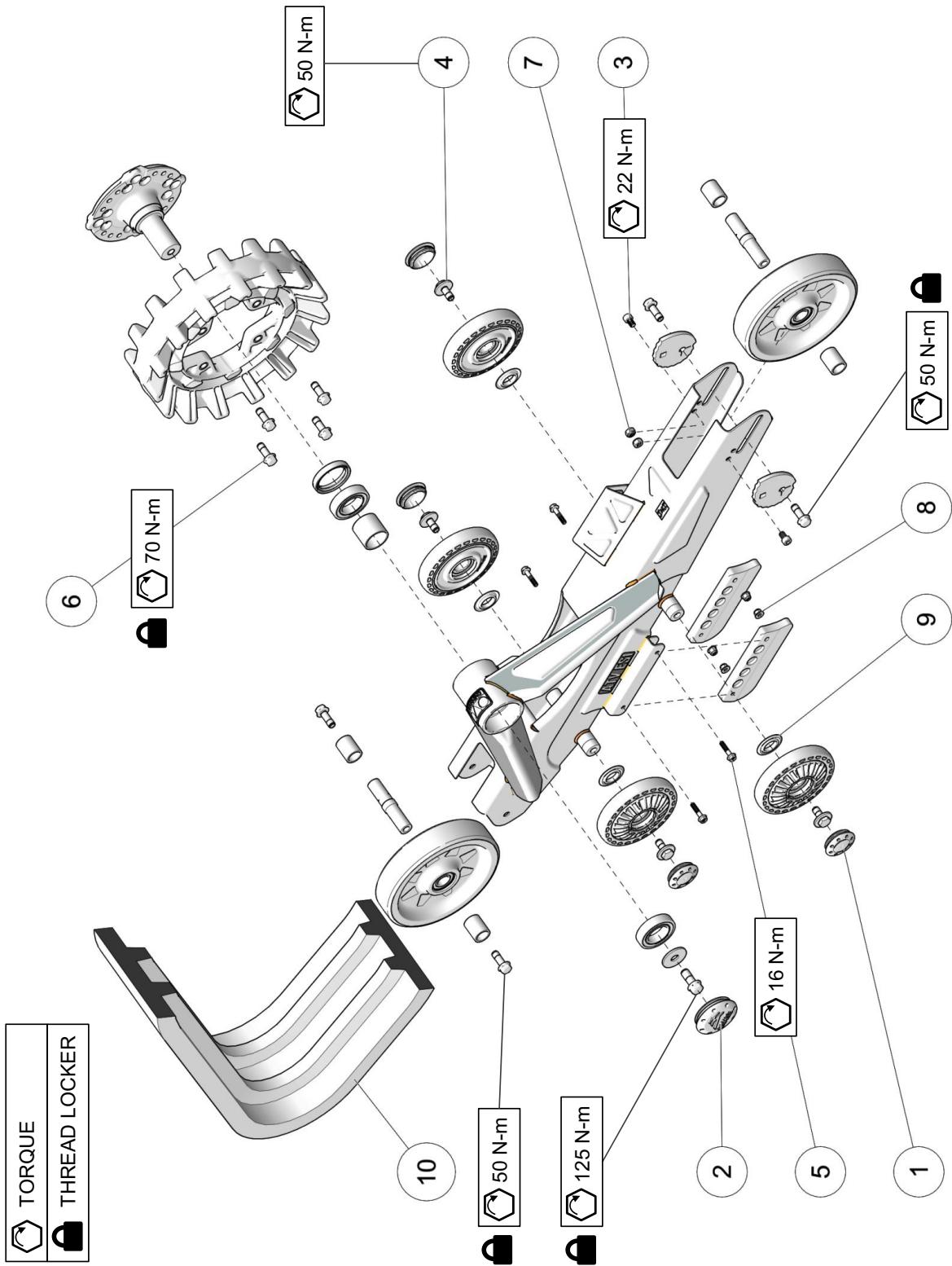
VERSION A





ATV R4S

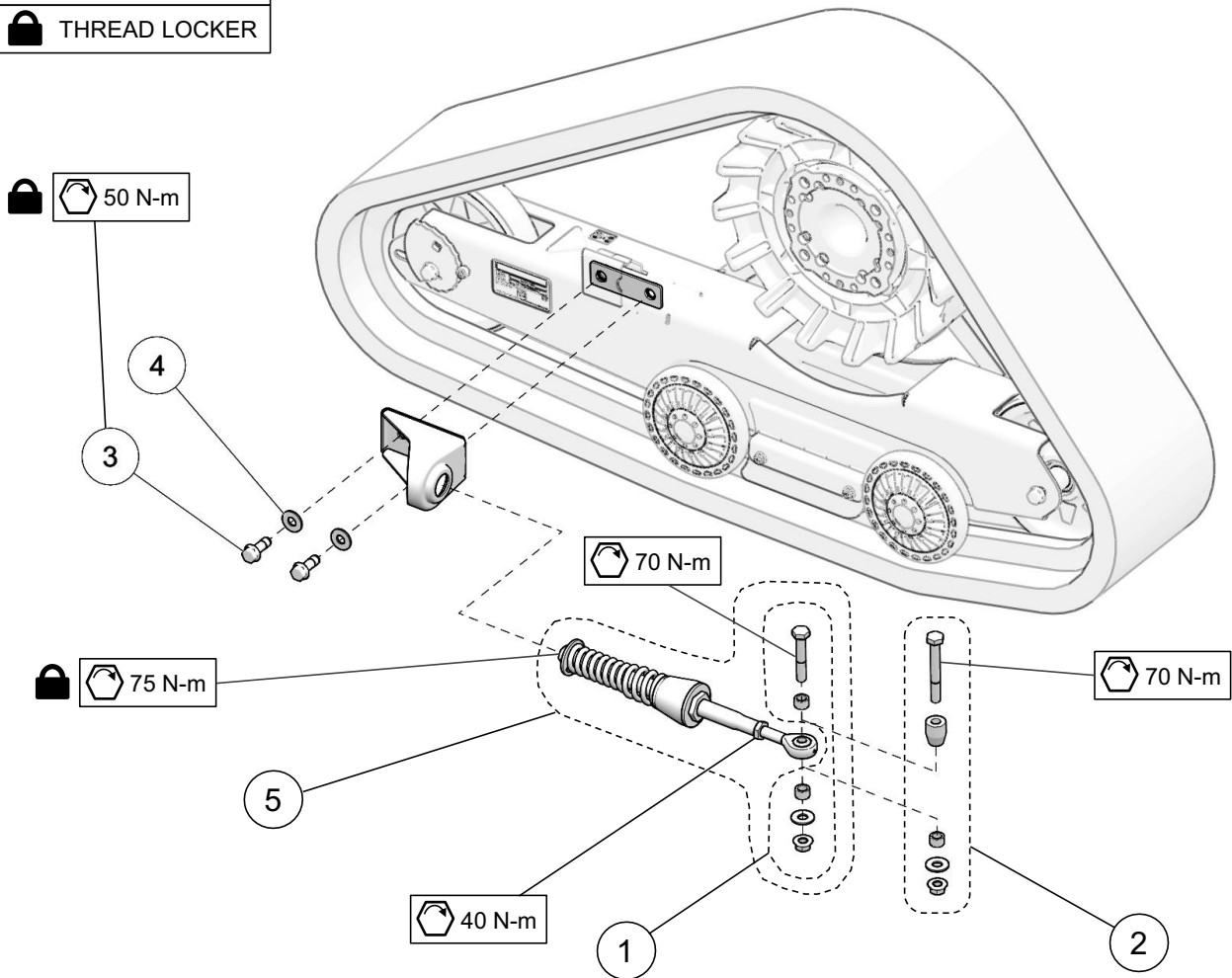


ITEM #	PART #	DESCRIPTION	QTY
		CAMSO ATV R4S MY2020 :: FRONT LEFT & RIGHT	
1	1017-00-0042	WHEEL CAP / CAP DE ROUE -- 2"	4
2	1017-00-7150	HUB CAP CAMSO ASS'Y / CAP MOYEU CAMSO ASS.	1
3	1032-08-0012	HSCS, M8-1.25X12, 8.8, ZP, DIN912	2
4	1033-10-2026	HCSW, M10-1.5X25, 8.8, ZP, TL, DIN933	4
5	1033-AS-0025	STABILIZING ROD SHORT BOLT KIT / ENS. BOULON COURT BRAS STAB.	1
6	1035-06-1030	HFCS, M6-1X30, 10.9, ZP, DIN6921	4
7	1036-10-4030	HFSCS, M10-1.5X30, 10.9, ZP, TL, DIN 6921	8
8	1049-00-0007	SDSQWS, #12-24X1.5, ZP	5
9	1071-08-0001	NN, M8-1.25, 8, ZP, DIN985	2
10	1074-06-0001	FNN, M6-1, 8, ZP, DIN6926	4
11	1093-00-7009	WHEEL SEAL / JOINT D'ÉTANCHÉITÉ -- (25ID X 42OD)	4
12	1093-00-9342	FRONT TRACK / CHENILLE AVANT -- ATV R4S (9342S)	1
13	7001-00-7535	S-KIT STABILIZING ROD - ATV / S-KIT BRAS STABILISATEUR, ATV	1






ITEM #	PART #	DESCRIPTION	QTY
		CAMSO ATV R4S MY2020 :: LEFT & RIGHT REAR	
1	1017-00-0042	WHEEL CAP / CAP DE ROUE -- 2"	4
2	1017-00-7150	HUB CAP CAMSO ASS'Y / CAP MOYEU CAMSO ASS.	1
3	1032-08-0012	HSCS, M8-1.25X12, 8.8, ZP, DIN912	2
4	1033-10-2026	HCSW, M10-1.5X25, 8.8, ZP, TL, DIN933	4
5	1035-06-1030	HFCS, M6-1X30, 10.9, ZP, DIN6921	4
6	1036-10-4030	HFSCS, M10-1.5X30, 10.9, ZP, TL, DIN 6921	8
7	1071-08-0001	NN, M8-1.25, 8, ZP, DIN985	2
8	1074-06-0001	FNN, M6-1, 8, ZP, DIN6926	4
9	1093-00-7009	WHEEL SEAL / JOINT D'ÉTANCHÉITÉ -- (25ID X 42OD)	4
10	1093-00-9338	REAR TRACK / CHENILLE ARRIÈRE -- ATV R4S (9338S)	1

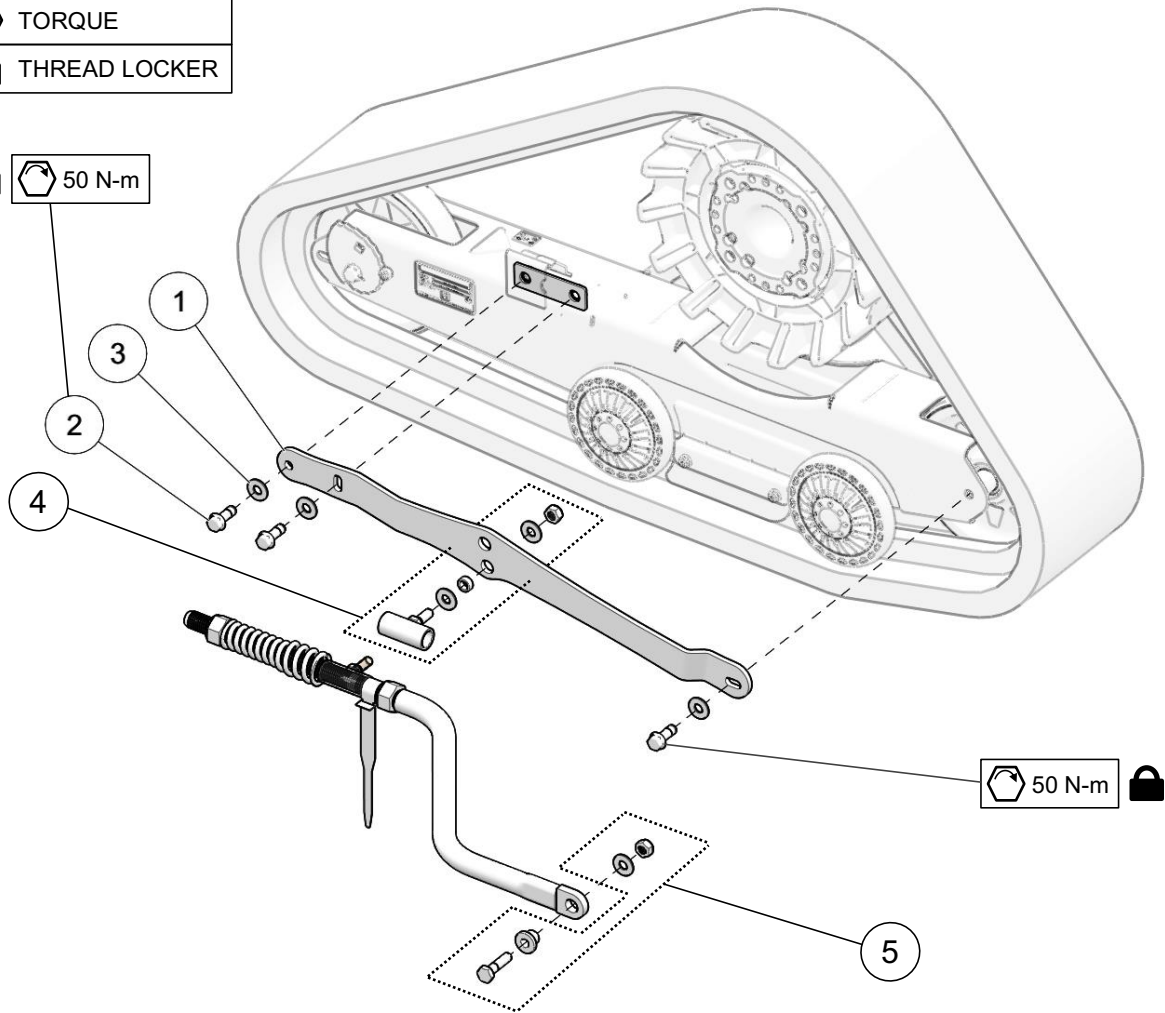
	TORQUE
	THREAD LOCKER



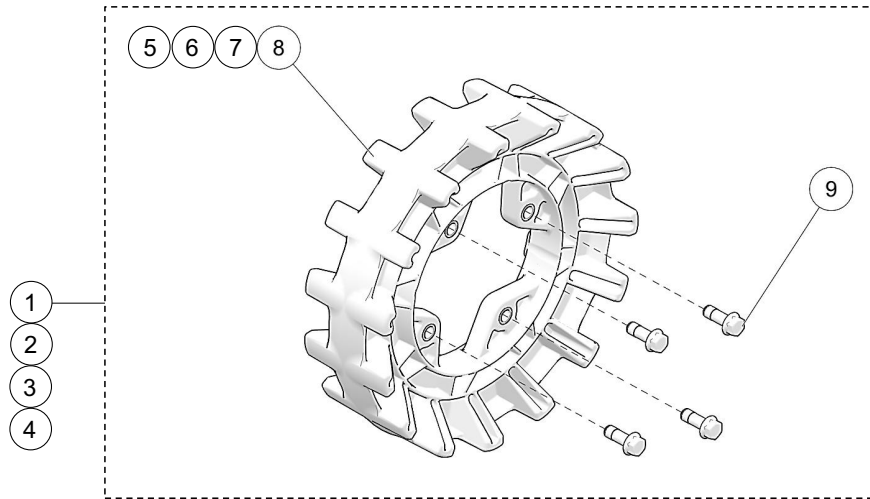
ITEM #	PART #	DESCRIPTION	QTY
CAMSO ATV R4S MY2020 :: INDEPENDENT SUSPENSION (IS)			
1	1033-AS-0025	STABILIZING ROD SHORT BOLT KIT / ENS. BOULON COURT BRAS STAB.	1
2	1033-AS-0075	STABILIZING ROD LONG BOLT KIT / ENS. BOULON LONG BRAS STAB.	1
3	1036-10-4030	HFSCS, M10-1.5X30, 10.9, ZP, TL, DIN 6921	2
4	1060-00-0004	W, 7/16X1.0X0.072, 8, ZP, USS	2
5	7001-00-7226	S-KIT STABILIZING ROD - ATV / S-KIT BRAS STABILISATEUR - ATV	1

 TORQUE
 THREAD LOCKER

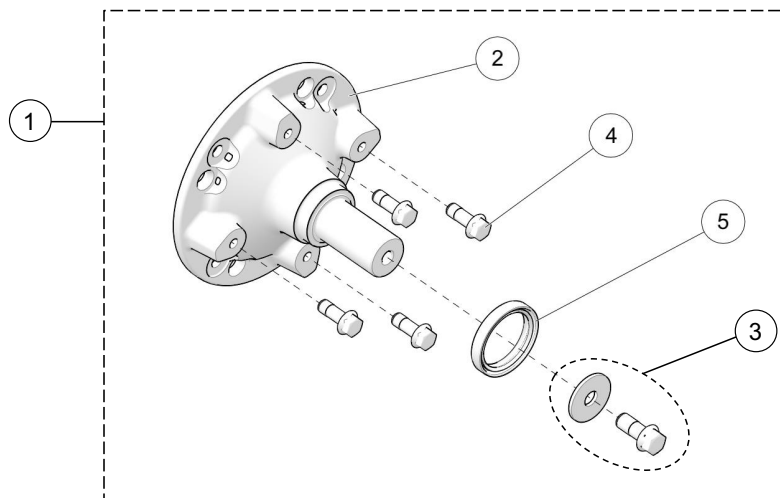
  50 N-m



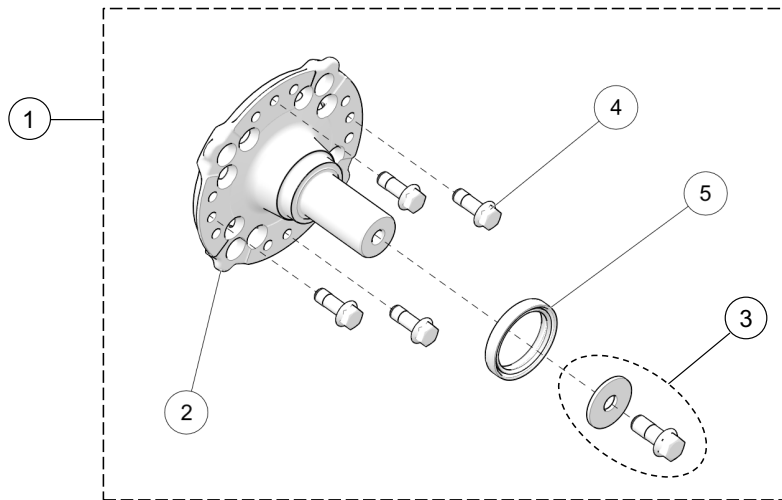
ITEM #	PART #	DESCRIPTION	QTY
CAMSO ATV R4S MY2020 :: RIGID SUSPENSION (RS)			
1-A	--	ANTI-ROTATION LH BRACKET - RS / ATTACHE ANTI-ROT. GAUCHE - SR	1
1-B	--	ANTI-ROTATION RH BRACKET - RS / ATTACHE ANTI-ROT. DROITE - SR	1
2	1036-10-4030	HFSCS, M10-1.5X30, 10.9, ZP, TL, DIN 6921	3
3	1060-00-0004	W, 7/16X1.0X0.072, 8, ZP, USS	3
4	1080-00-3000	STABILIZING ARM GUIDE ASSY (RS) / GUIDE BRAS STAB. ASS. (SR)	1
5	7050-00-0024	S-KIT - BUSHING RS, STABILIZING ROD / BAGUE SR , BRAS STAB.	1



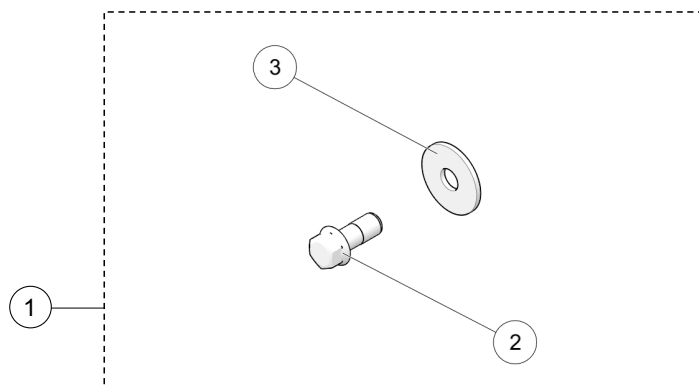
ITEM #	PART #	DESCRIPTION	QTY
		CAMSO ATV-UTV MY2020 :: SPROCKET KITS	
1	7009-00-7115	S-KIT 15/4 SPROCKET / BARBOTIN 15/4	1
2	7009-00-7116	S-KIT 16/4 SPROCKET / BARBOTIN 16/4	1
3	7009-00-7117	S-KIT 17/4 SPROCKET / BARBOTIN 17/4	1
4	7009-00-7118	S-KIT 18/4 SPROCKET / BARBOTIN 18/4	1
5	--	SPROCKET 15 TEETH / BARBOTIN 15 DENTS -- T4S	1
6	--	SPROCKET 16 TEETH / BARBOTIN 16 DENTS -- T4S	1
7	--	SPROCKET 17 TEETH / BARBOTIN 17 DENTS -- T4S	1
8	--	SPROCKET 18 TEETH / BARBOTIN 18 DENTS -- T4S	1
9	1036-10-4030	HFSCS, M10-1.5X30, 10.9, ZP, TL, DIN 6921	4



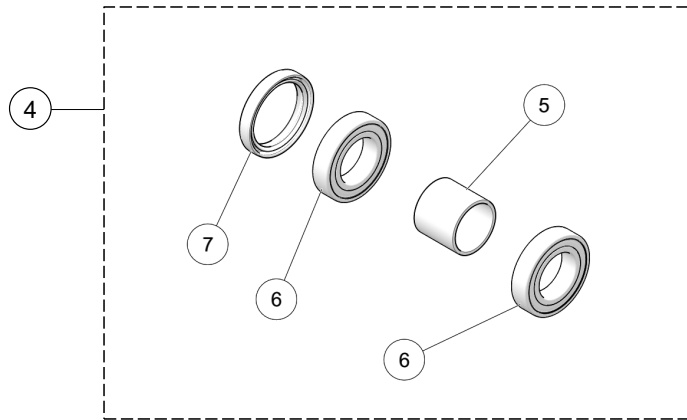
ITEM #	PART #	DESCRIPTION	QTY
		CAMSO ATV-UTV MY2020 :: S-KIT POLARIS MULTI HUB	
1	7019-05-0070	S-KIT POLARIS MULTI HUB / S-KIT MOYEU MULTI POLARIS	1
2	--	POLARIS MULTI HUB ASS'Y / MOYEU MULTI POLARIS ASS.	1
3	1033-AS-0066	WHEEL HUB BOLT KIT / ENSEMBLE BOULON MOYEU	1
4	1036-10-4030	HFSCS, M10-1.5X30, 10.9, ZP, TL, DIN 6921	4
5	1093-00-7002	DOUBLE LIPS SHAFT SEAL / JOINT ÉTANCHE DOUBLE	1



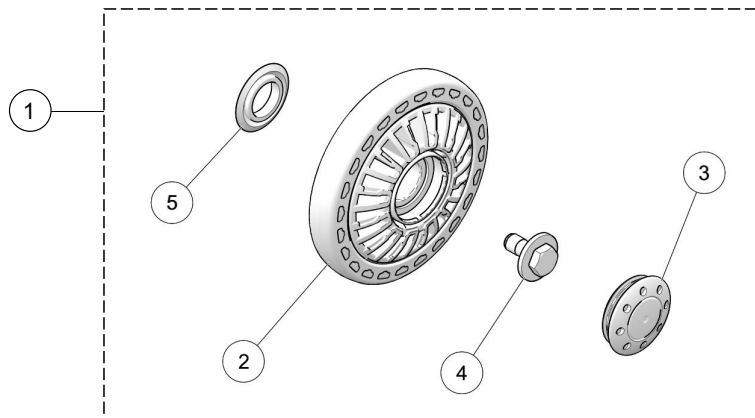
ITEM #	PART #	DESCRIPTION	QTY
CAMSO ATV-UTV MY2020 :: S-KIT MULTI MODEL HUB			
1	7019-77-0015	S-KIT MULTI MODEL HUB / S-KIT MOYEU MULTI MODÈLE	1
2	--	MULTI MODEL HUB ASS'Y / MOYEU MULTI MODÈLE ASS.	1
3	1033-AS-0066	WHEEL HUB BOLT KIT / ENSEMBLE BOULON MOYEU	1
4	1036-10-4030	HFSCS, M10-1.5X30, 10.9, ZP, TL, DIN 6921	4
5	1093-00-7002	DOUBLE LIPS SHAFT SEAL / JOINT ÉTANCHE DOUBLE	1



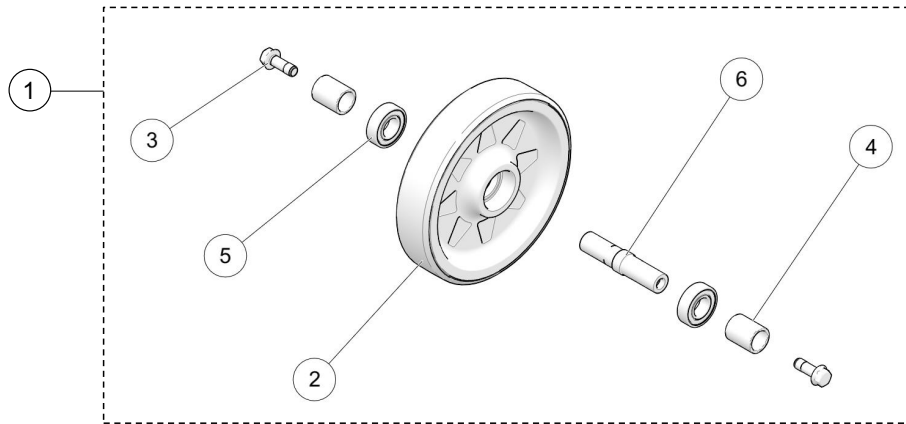
ITEM #	PART #	DESCRIPTION	QTY
CAMSO ATV - UTV MY2020 :: WHEEL HUB BOLT KIT			
1	1033-AS-0066	WHEEL HUB BOLT KIT / ENSEMBLE BOULON MOYEU	1
2	--	HFSCS, M12-1.75X30, 10.9, ZP, TL, DIN 6921	1
3	--	W, 1.625, 0.515, 11GA.	1



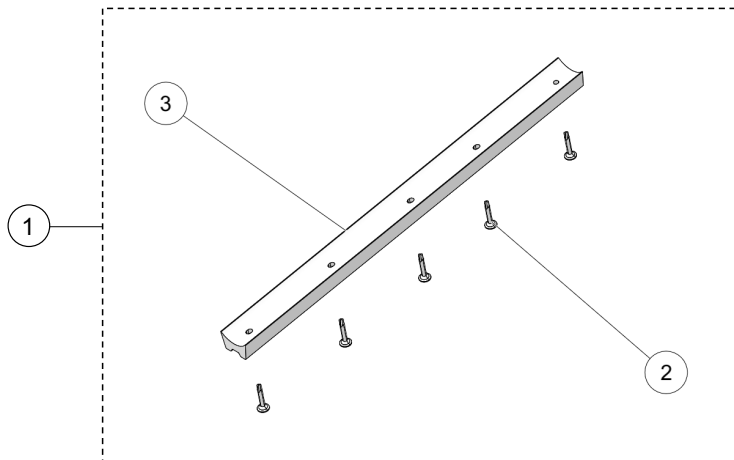
ITEM #	PART #	DESCRIPTION	QTY
		CAMSO ATV T4S - ATV R4S MY2020 :: HUB BEARING KIT	
4	7090-00-0001	S-KIT ATV UTV 2 BEARINGS / S-KIT ATV UTV 2 ROULEMENTS	1
5	--	BUSHING SPINDLE HUB / ESPACEUR ROULEMENT	1
6	--	BEARING / ROULEMENT -- 6007	2
7	1093-00-7002	DOUBLE LIPS SHAFT SEAL / JOINT ÉTANCHE DOUBLE	1



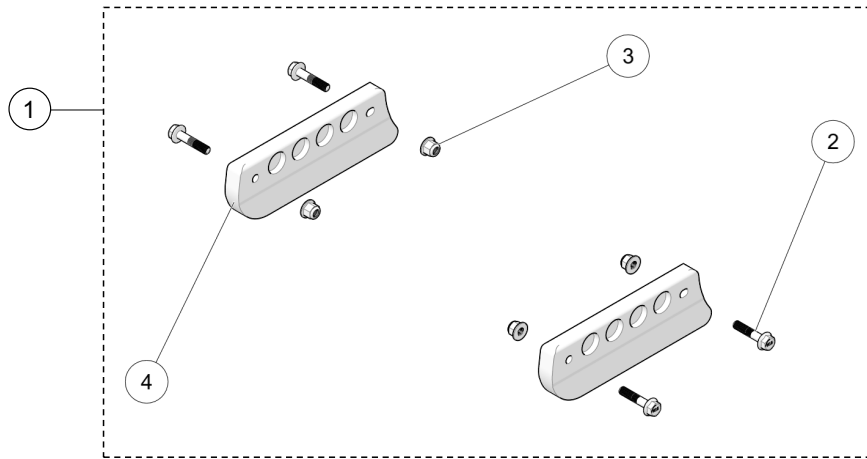
ITEM #	PART #	DESCRIPTION	QTY
		CAMSO ATV T4S - ATV R4S MY2020 :: 134 MM WHEEL KIT	
1	7016-00-0134	REPLACEMENT WHEEL KIT / ROUE DE REMPLACEMENT -- 134MM-2015	1
2	--	INJECTION ATV WHEEL / ROUE ATV INJ. -- 134 MM	1
3	1017-00-0042	WHEEL CAP / CAP DE ROUE -- 2"	1
4	1033-10-2026	HCSW, M10-1.5X25, 8.8, ZP, TL, DIN933	1
5	1093-00-7009	WHEEL SEAL / JOINT D'ÉTANCHÉITÉ -- (25ID X 42OD)	1



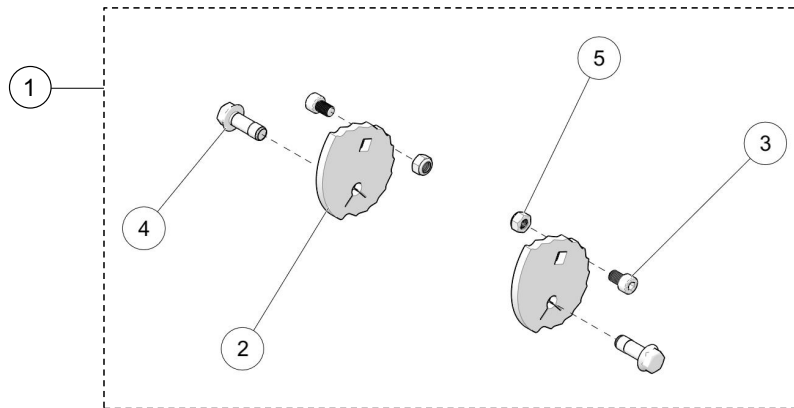
ITEM #	PART #	DESCRIPTION	QTY
CAMSO ATV R4S MY2020 :: 200 MM WHEEL KIT			
1	7016-00-0199	S-KIT IDLER WHEEL 200MM / S-KIT ROUE 200MM	1
2	--	IDLER WHEEL, 200MM / ROUE, 200MM	1
3	1036-10-4030	HFSCS,M10-1.5X30,10.9,ZP,TL,DIN 6921	2
4	1051-00-3033	SPACER / ESPACEUR	2
5	1090-00-0005	BEARING 6004 / ROULEMENT 6004	2
6	--	WHEEL AXLE / AXE DE ROUE	1



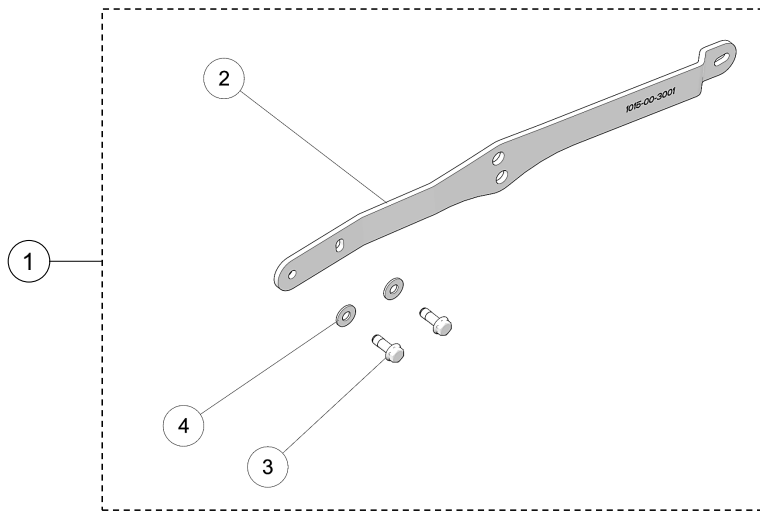
ITEM #	PART #	DESCRIPTION	QTY
CAMSO ATV R4S MY2020 :: FRONT SLIDE KIT			
1	7085-00-3005	S-KIT SLIDE, FRONT / S-KIT GLISSIÈRE AVANT	1
2	1049-00-0007	SDSQWS,#12-24X1.5,ZP	5
3	--	SLIDE, FRONT / GLISSIÈRE AVANT	1



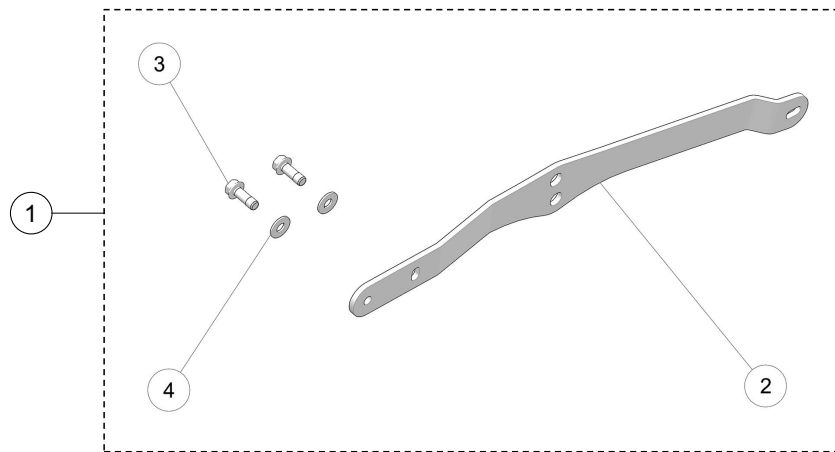
ITEM #	PART #	DESCRIPTION	QTY
CAMSO ATV R4S MY2020 :: SKATE KIT			
1	7085-00-3002	S-KIT, SKATE / S-KIT, PATIN	1
2	1035-06-1030	HFCS,M6-1X30,10.9,ZP,DIN6921	4
3	1074-06-0001	FNN,M6-1,8,ZP,DIN6926	4
4	--	SKATE / PATIN	2



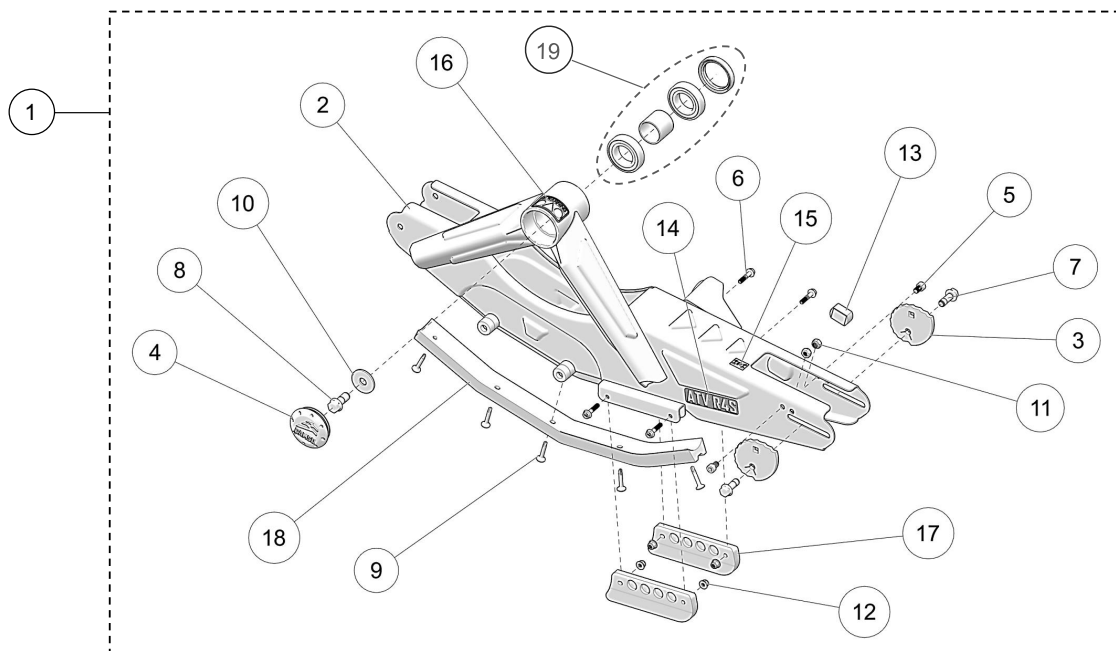
ITEM #	PART #	DESCRIPTION	QTY
CAMSO ATV R4S MY2020 :: TENSIONER CAM KIT			
1	7014-00-3003	S-KIT, TENSIONER CAM / S-KIT, CAME TENDEUR	1
2	--	TENSIONER CAM / CAME TENDEUR	2
3	1032-08-0012	HSCS,M8-1.25X12,8.8,ZP,DIN912	2
4	1036-10-4030	HFSCS,M10-1.5X30,10.9,ZP,TL,DIN 6921	2
5	1071-08-0001	NN,M8-1.25,8,ZP,DIN985	2



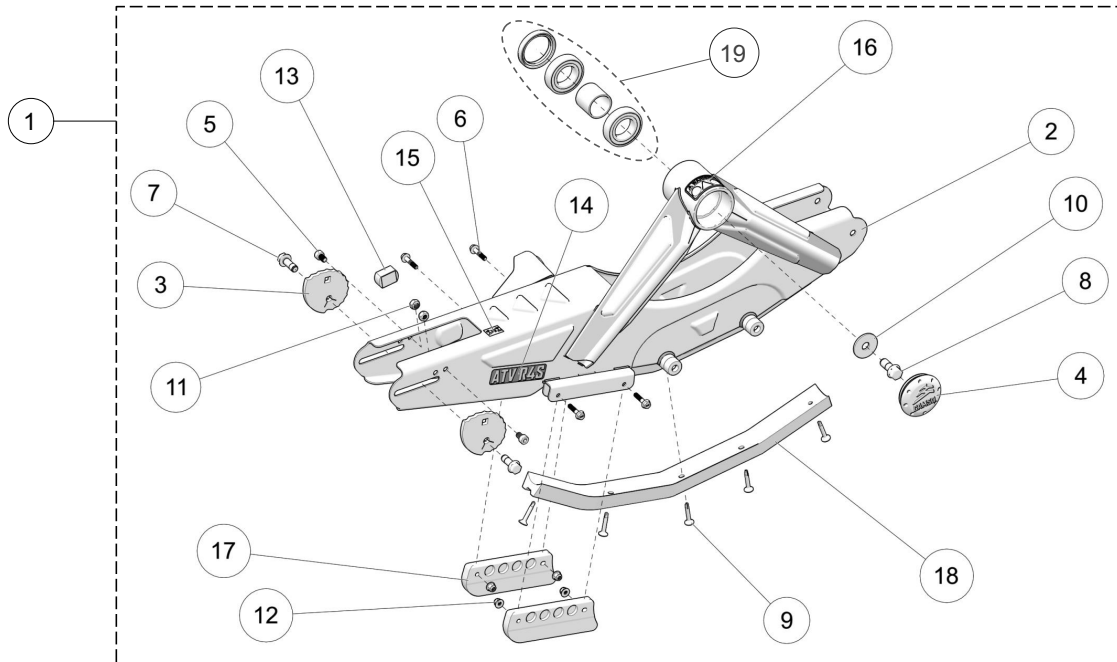
ITEM #	PART #	DESCRIPTION	QTY
		CAMSO ATV R4S MY2020 :: ANTI-ROTATION LH BRACKET RS	
1	7015-00-3001	S-KIT, ANTI-ROTATION LH BRACKET - RS / ATTACHE GA. - ANTIROT. SR	1
2	--	ANTI-ROTATION, LH BRACKET - RS / ATTACHE GA. - ANTIROT. SR	1
3	1036-10-4030	HFSCS, M10-1.5X30, 10.9, ZP, TL, DIN 6921	2
4	1060-00-0004	W, 7/16X1.0X0.072, 8, ZP, USS	2



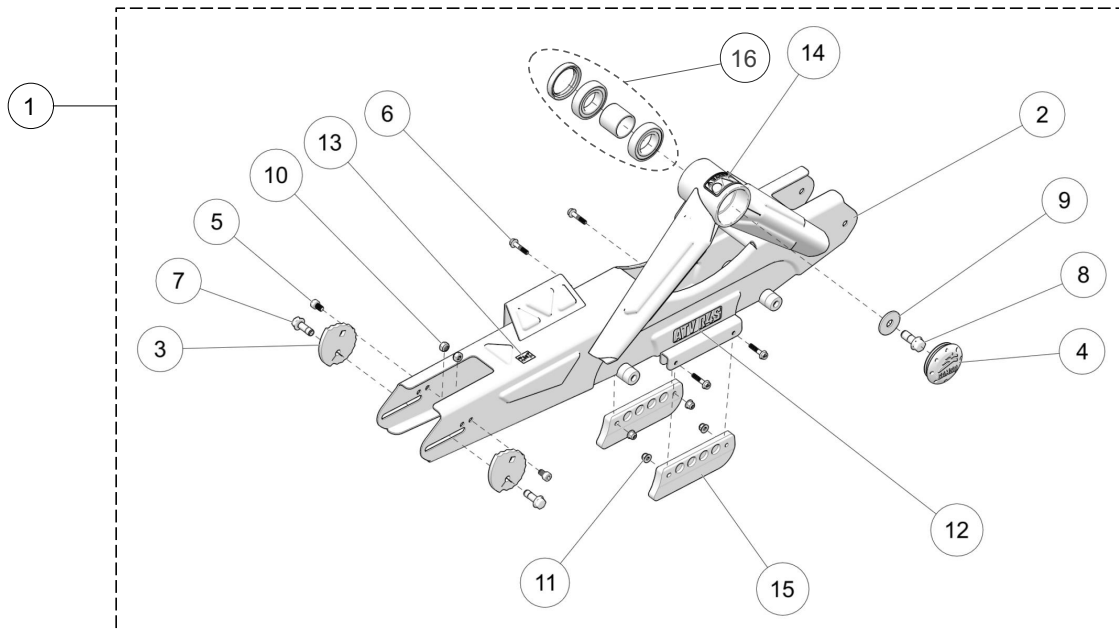
ITEM #	PART #	DESCRIPTION	QTY
		CAMSO ATV R4S MY2020 :: ANTI-ROTATION RH BRACKET RS	
1	7015-00-3011	S-KIT, ANTI-ROTATION RH BRACKET - RS / ATTACHE DR. - ANTIROT. SR	1
2	--	ANTI-ROTATION, RH BRACKET - RS / ATTACHE DR. - ANTIROT. SR	1
3	1036-10-4030	HFSCS, M10-1.5X30, 10.9, ZP, TL, DIN 6921	2
4	1060-00-0004	W, 7/16X1.0X0.072, 8, ZP, USS	2



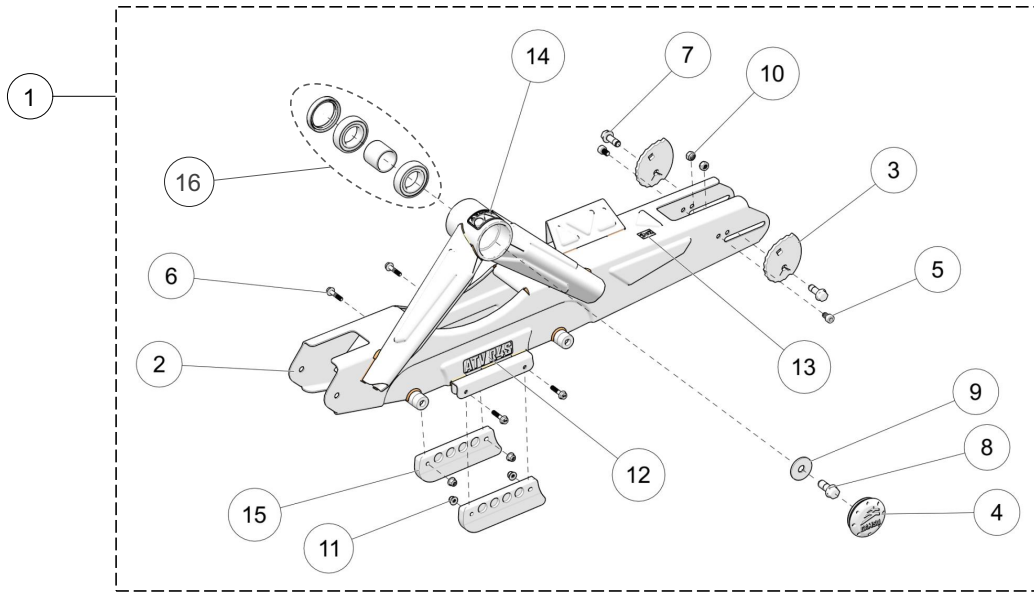
ITEM #	PART #	DESCRIPTION	QTY
		CAMSO ATV R4S MY2020 :: FRONT RIGHT FRAME	
1	7010-00-3322	S-KIT, RH FRONT FRAME - ATV R4S / S-KIT CADRE AVD ATV R4S	1
2	--	RH FRONT FRAME / CADRE AV. DROIT -- ATV R4S	1
3	--	TENSIONER CAM / CAME, TENDEUR	2
4	1017-00-7150	HUB CAP CAMSO ASS'Y / CAP MOYEU CAMSO ASS.	1
5	1032-08-0012	HSCS, M8-1.25X12, 8.8, ZP, DIN912	2
6	1035-06-1030	HFCS, M6-1X30, 10.9, ZP, DIN6921	4
7	1036-10-4030	HFSCS, M10-1.5X30, 10.9, ZP, TL, DIN 6921	2
8	--	HFSCS, M12-1.75X30, 10.9, ZP, TL, DIN 6921	1
9	1049-00-0007	SDSQWS, #12-24X1.5, ZP	5
10	--	W, 1.625, 0.515, 11GA.	1
11	1071-08-0001	NN, M8-1.25, 8, ZP, DIN985	2
12	1074-06-0001	FNN, M6-1.8, ZP, DIN6926	4
13	--	BUBBLE LEVEL / NIVEAU À BULLE	1
14	--	STICKER / DÉCALQUE -- CAMSO ATV R4S	1
15	--	STICKER, FRONT RIGHT PICTOGRAM / PICTOGRAMME AV. DROIT	1
16	--	STICKER WARNING / AUTOCOLLANT AVERTISSEMENT	1
17	--	SKATE / PATIN	2
18	--	SLIDE, FRONT / GLISSIÈRE, AVANT	1
19	7090-00-0001	S-KIT ATV UTV 2 BEARINGS / S-KIT ATV UTV 2 ROULEMENTS	1



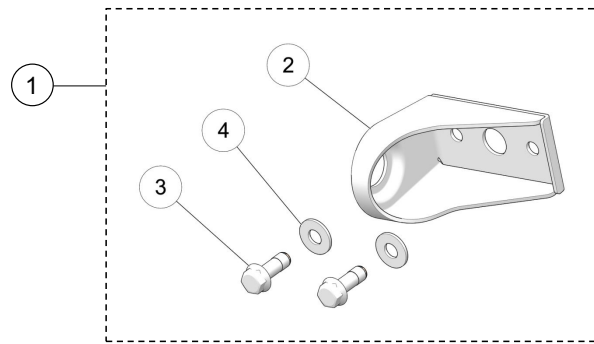
ITEM #	PART #	DESCRIPTION	QTY
		CAMSO ATV R4S MY2020 :: FRONT LEFT FRAME	
1	7011-00-3322	S-KIT, LH FRONT FRAME - ATV R4S / S-KIT CADRE AVG ATV R4S	1
2	--	LH FRONT FRAME / CADRE AV. GAUCHE -- ATV R4S	1
3	--	TENSIONER CAM / CAME, TENDEUR	2
4	1017-00-7150	HUB CAP CAMSO ASS'Y / CAP MOYEU CAMSO ASS.	1
5	1032-08-0012	HSCS, M8-1.25X12, 8.8, ZP, DIN912	2
6	1035-06-1030	HFCS, M6-1X30, 10.9, ZP, DIN6921	4
7	1036-10-4030	HFSCS, M10-1.5X30, 10.9, ZP, TL, DIN 6921	2
8	--	HFSCS, M12-1.75X30, 10.9, ZP, TL, DIN 6921	1
9	1049-00-0007	SDSQWS, #12-24X1.5, ZP	5
10	--	W, 1.625, 0.515, 11GA.	1
11	1071-08-0001	NN, M8-1.25, 8, ZP, DIN985	2
12	1074-06-0001	FNN, M6-1.8, ZP, DIN6926	4
13	--	BUBBLE LEVEL / NIVEAU À BULLE	1
14	--	STICKER / DÉCALQUE -- CAMSO ATV R4S	1
15	--	STICKER, FRONT LEFT PICTOGRAM / PICTOGRAMME AV. GAUCHE	1
16	--	STICKER WARNING / AUTOCOLLANT AVERTISSEMENT	1
17	--	SKATE / PATIN	2
18	--	SLIDE, FRONT / GLISSIÈRE, AVANT	1
19	7090-00-0001	S-KIT ATV UTV 2 BEARINGS / S-KIT ATV UTV 2 ROULEMENTS	1



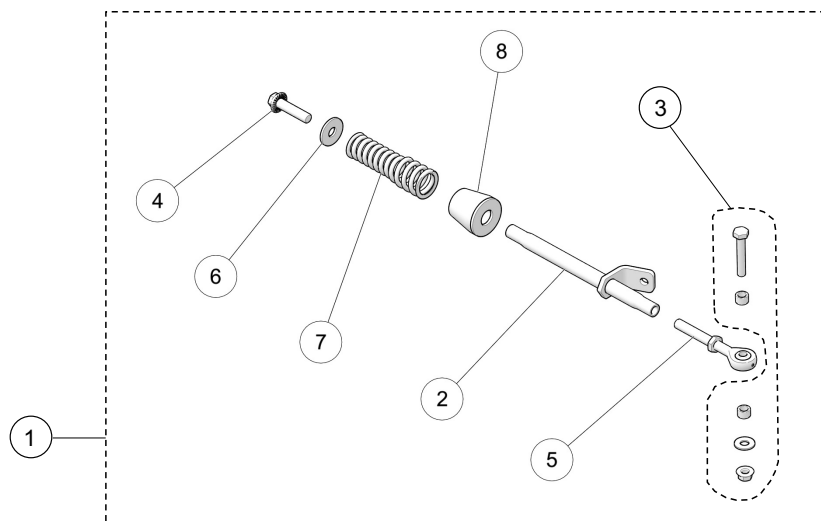
ITEM #	PART #	DESCRIPTION	QTY
CAMSO ATV R4S MY2020 :: REAR RIGHT FRAME			
1	7012-00-3322	S-KIT, RH REAR FRAME - ATV R4S / S-KIT CADRE ARD ATV R4S	1
2	--	RH REAR FRAME / CADRE ARRIÈRE DROIT -- ATV R4S	1
3	--	TENSIONER, CAM / CAME, TENDEUR	2
4	1017-00-7150	HUB CAP CAMSO ASS'Y / CAP MOYEU CAMSO ASS.	1
5	1032-08-0012	HSCS,M8-1.25X12,8.8,ZP,DIN912	2
6	1035-06-1030	HFCS,M6-1X30,10.9,ZP,DIN6921	4
7	1036-10-4030	HFSCS,M10-1.5X30,10.9,ZP,TL,DIN 6921	2
8	--	HFSCS, M12-1.75X30, 10.9, ZP, TL, DIN 6921	1
9	--	W, 1.625, 0.515, 11GA.	1
10	1071-08-0001	NN,M8-1.25,8,ZP,DIN985	2
11	1074-06-0001	FNN,M6-1,8,ZP,DIN6926	4
12	--	STICKER / DÉCALQUE -- CAMSO ATV R4S	1
13	--	STICKER, REAR RIGHT PICTOGRAM / PICTOGRAMME ARRIÈRE DROIT	1
14	--	STICKER WARNING / AUTOCOLLANT AVERTISSEMENT	1
15	--	SKATE / PATIN	2
16	7090-00-0001	S-KIT ATV UTV 2 BEARINGS / S-KIT ATV UTV 2 ROULEMENTS	1



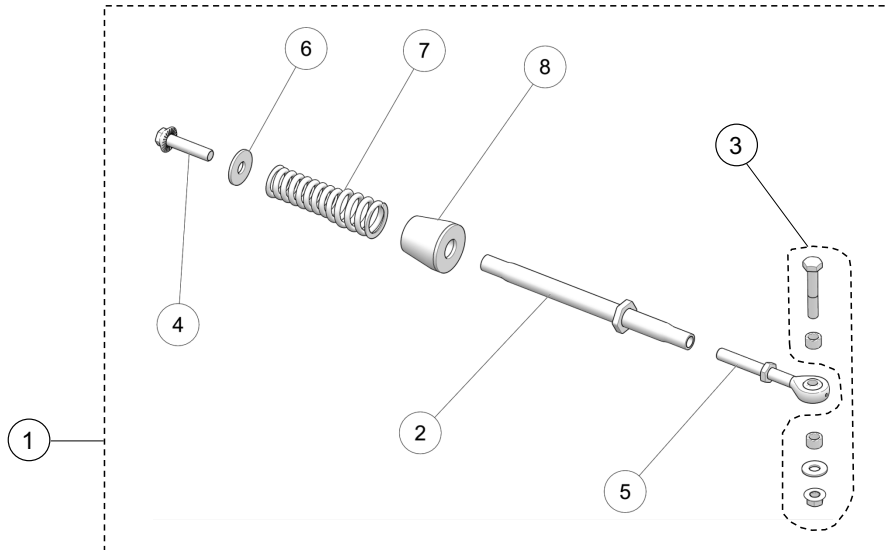
ITEM #	PART #	DESCRIPTION	QTY
		CAMSO ATV R4S MY2020 :: REAR LEFT FRAME	
1	7013-00-3322	S-KIT, RL REAR FRAME - ATV R4S / S-KIT CADRE ARG ATV R4S	1
2	--	RL REAR FRAME / CADRE ARRIÈRE GAUCHE -- ATV R4S	1
3	--	TENSIONER, CAM / CAME, TENDEUR	2
4	1017-00-7150	HUB CAP CAMSO ASS'Y / CAP MOYEU CAMSO ASS.	1
5	1032-08-0012	HSCS,M8-1.25X12,8.8,ZP,DIN912	2
6	1035-06-1030	HFCS,M6-1X30,10.9,ZP,DIN6921	4
7	1036-10-4030	HFCS,M10-1.5X30,10.9,ZP,TL,DIN 6921	2
8	--	HFCS, M12-1.75X30, 10.9, ZP, TL, DIN 6921	1
9	--	W, 1.625, 0.515, 11GA.	1
10	1071-08-0001	NN,M8-1.25,8,ZP,DIN985	2
11	1074-06-0001	FNN,M6-1.8,ZP,DIN6926	4
12	--	STICKER / DÉCALQUE -- CAMSO ATV R4S	1
13	--	STICKER, REAR LEFT PICTOGRAM / PICTOGRAMME ARRIÈRE GAUCHE	1
14	--	STICKER WARNING / AUTOCOLLANT AVERTISSEMENT	1
15	--	SKATE / PATIN	2
16	7090-00-0001	S-KIT ATV UTV 2 BEARINGS / S-KIT ATV UTV 2 ROULEMENTS	1



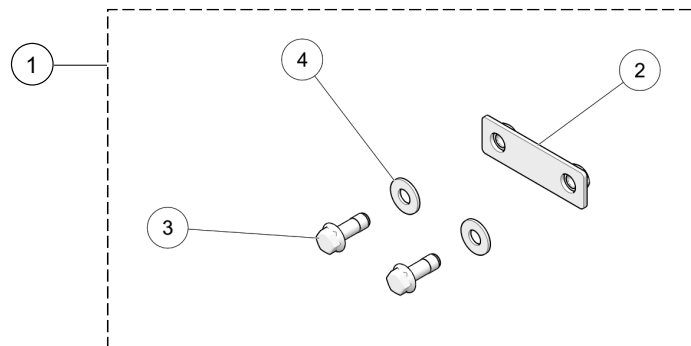
ITEM #	PART #	DESCRIPTION	QTY
		CAMSO ATV R4S MY2020 :: ANTI-ROTATION BRACKET IS	
1	7015-00-3010	S-KIT, ANTI-ROTATION, IS BRACKET / ATTACHE - ANTI-ROTATION SI	1
2	--	ANTI-ROTATION, BRACKET IS / ATTACHE - ANTI-ROTATION SI	1
3	1036-10-4030	HFSCS, M10-1.5X30, 10.9, ZP, TL, DIN 6921	2
4	1060-00-0004	W, 7/16X1.0X0.072, 8, ZP, USS	2



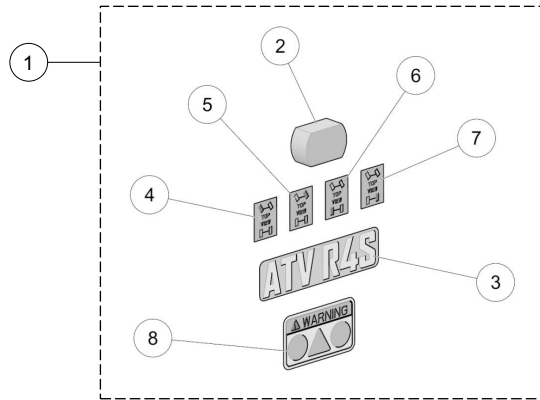
ITEM #	PART #	DESCRIPTION	QTY
		CAMSO ATV R4S MY2020 :: FRONT STABILIZING ROD - ATV	
1	7001-00-7535	S-KIT STABILIZING ROD - ATV / S-KIT BRAS STABILISATEUR - ATV	1
2	--	SHORT ANTI-ROTATION ROD / TIGE ANTI-ROTATION COURTE	1
3	1033-AS-0025	STABILIZING ROD SHORT BOLT KIT / ENS. BOULON COURT BRAS STAB.	1
4	1036-12-D050	BOLT / BOULON - HFSCS, M12-1.75X50, 8.8, ZP, FULL THREAD	1
5	1047-12-1090	X-LONG ROD END / TIGE À CŒIL X-LONGUE	1
6	1060-12-0001	WASHER / RONDELLE - 37.4X13X3, ZP, DIN 9021	1
7	1080-00-0002	STABILIZING ROD SPRING / RESSORT BRAS STABILISATEUR	1
8	1093-00-7050	RUBBER DAMPER / AMORTISSEUR DE CAOUTCHOUC	1



ITEM #	PART #	DESCRIPTION	QTY
		CAMSO ATV R4S MY2020 :: REAR STABILIZING ROD - ATV	
1	7001-00-7226	S-KIT STABILIZING ROD - ATV / S-KIT BRAS STABILISATEUR - ATV	1
2	--	SHORT STABILIZING ROD / BRAS STABILISATEUR, COURT	1
3	1033-AS-0025	STABILIZING ROD SHORT BOLT KIT / ENS. BOULON COURT BRAS STAB.	1
4	1036-12-D050	HFSCS, M12-1.75X50, 8.8, ZP, FULL THREAD	1
5	1047-12-1090	X-LONG ROD END / TIGE À ŒIL X-LONGUE	1
6	1060-12-0001	WASHER / RONDELLE - 37.4 X 13 X 3, ZP, DIN 9021	1
7	1080-00-0002	STABILIZING ROD SPRING / RESSORT BRAS STABILISATEUR - 200 LBS/IN	1
8	1093-00-7050	RUBBER DAMPER / AMORTISSEUR DE CAOUTCHOUC	1



ITEM #	PART #	DESCRIPTION	QTY
		CAMSO ATV-UTV MY2020 :: BACK PLATE	
1	7015-00-7026	S-KIT BACK PLATE / S-KIT PLAQUE DE FIXATION	1
2	--	BACK PLATE / PLAQUE DE FIXATION	1
3	1036-10-4030	HFSCS, M10-1.5X30, 10.9, ZP, TL, DIN 6921	2
4	1060-00-0004	W, 7/16X1.0X0.072, 8, ZP, USS	2



ITEM #	PART #	DESCRIPTION	QTY
		CAMSO ATV R4S MY2020 :: STICKER KIT	
1	7083-00-3084	S-KIT, STICKER ATV R4S - 1 TRACK / COLLANT ATV R4S - 1 CHENILLE	1
2	--	BUBBLE LEVEL / NIVEAU À BULLE	1
3	--	STICKER / COLLANT -- CAMSO ATV R4S	1
4	--	STICKER, FRONT LEFT PICTOGRAM / DÉCALQUE PICTOGRAMME AVG	1
5	--	STICKER, FRONT RIGHT PICTOGRAM / DÉCALQUE PICTOGRAMME AVD	1
6	--	STICKER, REAR LEFT PICTOGRAM / DÉCALQUE PICTOGRAMME ARG	1
7	--	STICKER, REAR RIGHT PICTOGRAM / DÉCALQUE PICTOGRAMME ARD	1
8	--	STICKER WARNING / AUTOCOLLANT AVERTISSEMENT	1