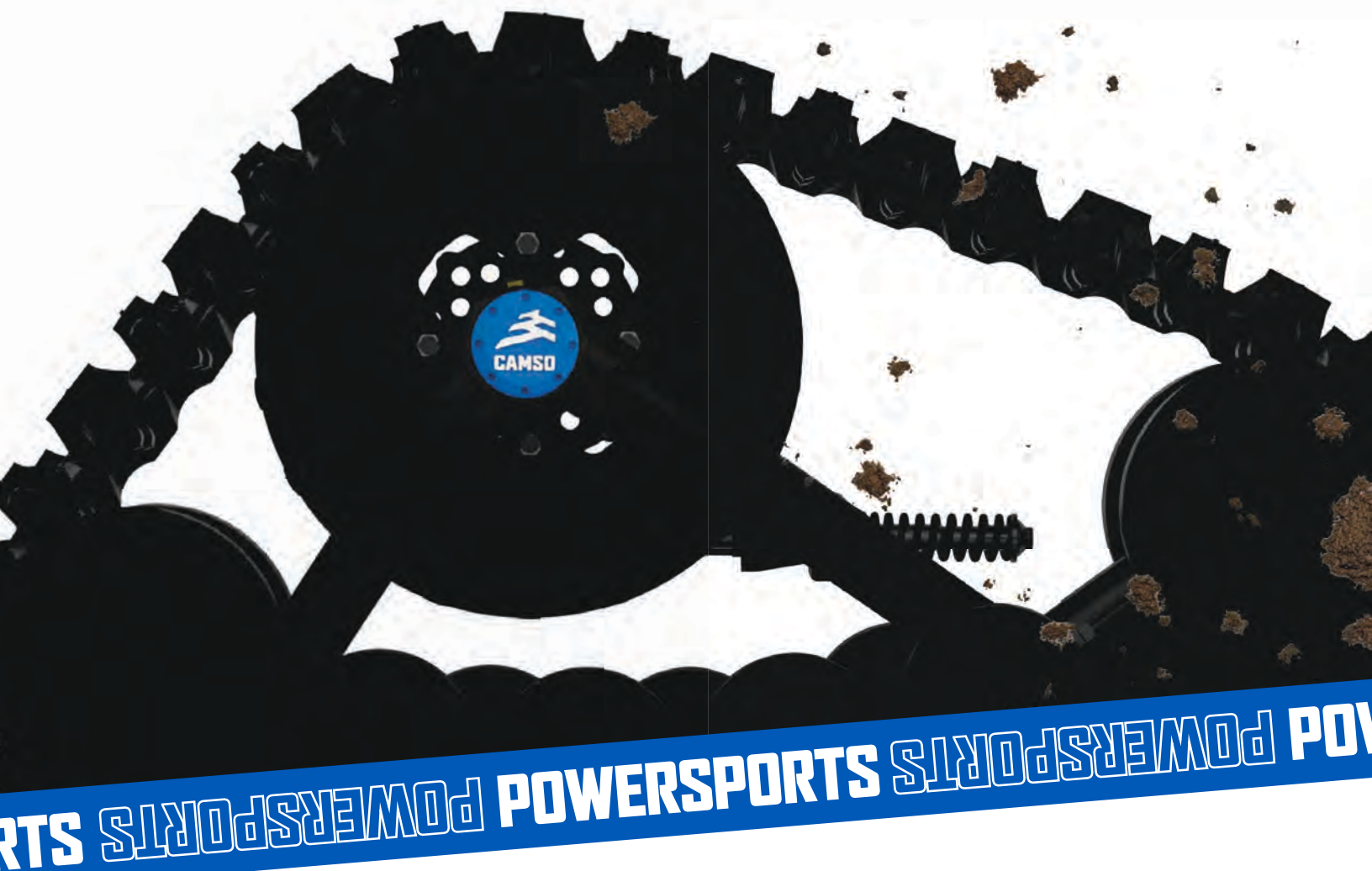


INSTALLATION GUIDELINES GUIDE D'INSTALLATION

CAMSO TRACK SYSTEMS FOR ALL-TERRAIN / SIDE-BY-SIDE VEHICLES
SYSTÈMES DE CHENILLES CAMSO POUR VÉHICULES TOUT-TERRAIN ET CÔTE À CÔTE

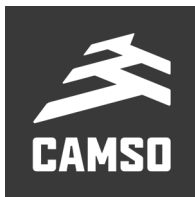


POLARIS POWERSPORTS

POLARIS
5000-05-0864-MAN



VERSION H



⚠ WARNING

Please read carefully each part of this document as well as the *User Manual* prior to assembling, installing and using the Track System.

CAUTION: Longevity of the Camso Track System's components is directly linked to the way the System is used. Sportive driving, rapid direction changes and repeated fast turns (especially on power steering vehicles) are not advised. These driving styles increase the risk of derailing and can cause premature wear and/or major breakdowns on the Track System which will not be covered under normal warranty.

TECHNICAL SUPPORT

If your dealer or distributor is unable to solve a problem related to the System, you may contact the Camso support team from Monday to Friday.



www.camso.co



pws.tracksystem@micelin.com



[@camsopowersports](https://www.facebook.com/camsopowersports)



[@camsopowersports](https://www.instagram.com/camsopowersports)

Camso inc.
4162, rue Burrill - Local A
Shawinigan, QC G9N 0C3
CANADA

Welcome to the Camso family

Thank you for choosing our Track Systems to make your ride a new beast.

Our products are designed to take you further and help you work harder in all terrain, whether you're hunting, ice fishing, caring for your land, reaching your remote cabin, or taking on any outdoor adventure. No matter where or in what conditions, get there and back safely with your Camso track systems.

Ready to benefit from optimal traction, mobility, stability, and flotation?

Let's go make tracks!

REMARKS / CONSTRAINTS

Track systems can create constraints during installation and/or use. Minor interference may result and modification to the vehicle may be necessary.

On this vehicle model, the track system's design results in the following constraints and related recommendations:

- Light interference and minor modifications possible.

PRE-INSTALLATION CHECK OF TRACK SYSTEM SPROCKET RATIO

Scan the QR code to the right and access the *Fitment Guide* to validate the number of teeth on front and rear sprockets specific to your vehicle model.



SYMBOLS AND SIGNAL WORDS

This document uses the following signal words and symbols to emphasize particular information:

WARNING

Indicates a potentially hazardous situation which, if not avoided, could result in death or serious injury.

CAUTION: Indicates a potentially hazardous situation which, if not avoided, may result in damage to vehicle and Track System components.

NOTE: Indicates supplementary information.

WARNINGS

WARNING

Install Track System at an authorized Camso dealer. Refer to the *Warranty* section in the *User manual*.

WARNING

Wear protective gloves and goggles.

WARNING

Immobilize vehicle on a flat and level surface, shift transmission into **Park** and turn engine off.

WARNING

Raise and install vehicle on secure supports (or lifting device).

WARNING

Ensure that the vehicle is immobilized and safe to work on.

WARNING

Beware of hot surfaces that may cause injury.

WARNING

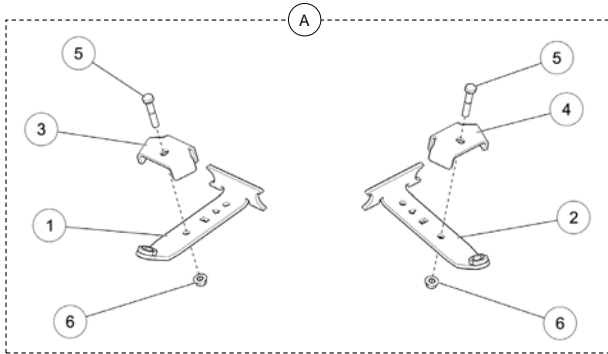
Moving parts - Hands or fingers caught between moving parts of the equipment present a danger to life or limb.

WARNING

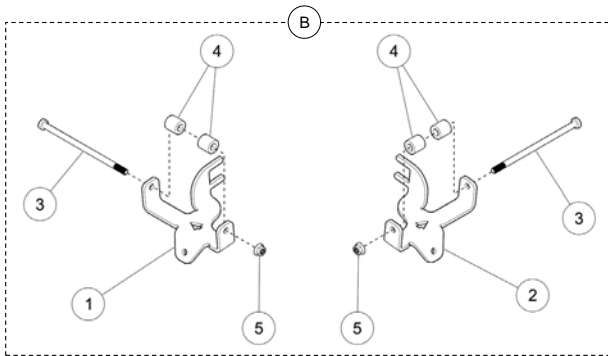
Do not place any part of your body under the vehicle unless it is securely placed on appropriate stands. Severe injuries could occur if the vehicle collapses or moves. Do not use a lifting device as a secure stand.

PARTS LIST

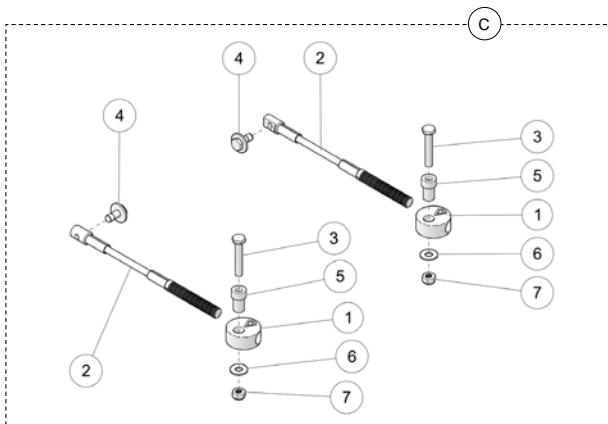
CAUTION: Before beginning the installation, make sure that you have received all the components included in the parts lists below.



ITEM	PART #	DESCRIPTION	QTY
A	1004-05-0580	FRONT BRACKET KIT	1
1	--	ANTI-ROTATION FRONT BRACKET - LH	1
2	--	ANTI-ROTATION FRONT BRACKET - RH	1
3	--	FRONT COVER - LH	1
4	--	FRONT COVER - RH	1
5	1033-10-0055	HEX BOLT - HCS, M10-1.5X55, 8.8, ZP, DIN931	2
6	1074-10-0001	NYLON NUT - FNN, M10-1.5, 8, ZP, DIN6926	2



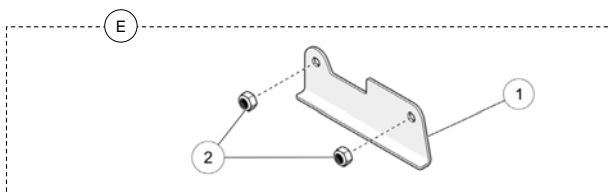
ITEM	PART #	DESCRIPTION	QTY
B	1005-05-0720	REAR BRACKET KIT	1
1	--	ANTI-ROTATION REAR BRACKET - LH	1
2	--	ANTI-ROTATION REAR BRACKET - RH	1
3	1033-10-0200	HEX BOLT - HCS, M10-1.5X200, 8.8, ZP, DIN931	2
4	1050-00-0019	BUSHING - .50 ID X 1.00 OD X 1.00 L	4
5	1074-10-0001	NYLON NUT - FNN, M10-1.5, 8, ZP, DIN6926	2



ITEM	PART #	DESCRIPTION	QTY
C	1003-77-3500	STEERING LIMITER ASSY	1
1	--	THREADED DISK	2
2	1003-77-3560	CABLE ASSY	2
3	1033-10-0060	HEX BOLT - HCS, M10-1.5X60, 8.8, ZP, DIN931	2
4	1033-10-2026	BOLT - HCSW, M10-1.5X25, 8.8, ZP, TL, DIN933	2
5	1050-00-0200	STEP SPACER	2
6	1060-00-0004	WASHER - W, 7/16X1.0X0.072, 8, ZP, USS	2
7	1071-10-0001	NYLON NUT - NN, M10-1.5, ZP, 8, DIN982	2



ITEM	PART #	DESCRIPTION	QTY
D	1072-10-3001	LUG NUT - FSNN, M10-1.25, 8, ZP, DIN6923	16



ITEM	PART #	DESCRIPTION	QTY
E	1081-05-1500	STIFFENER KIT	1
1	1081-05-0100	SUSPENSION STIFFENER	1
2	1071-10-0001	NYLON NUT - NN, M10-1.5, ZP, 8, DIN982	2

TORQUE SPECIFICATIONS

Recommended torque specifications according to bolt size and grade.

DIMENSION	GRADE			
	8.8		10.9	
	Nm	lb-ft	Nm	lb-ft
M6-1.0	10	7		
M8-1.25	25	18	33	24
M10-1.5	50	37	70	52
M12-1.75	90	66	125	92

NOTE: Use a thread locker (Loctite 262 or equivalent) at the specific points of the System indicated in the *User Manual's* exploded views.

INFORMATION

- For most vehicles, directional arrows have been cut out of some components in the anchor bracket kits. Make sure the arrows point toward the front of the vehicle when installing the brackets. See Fig. 1

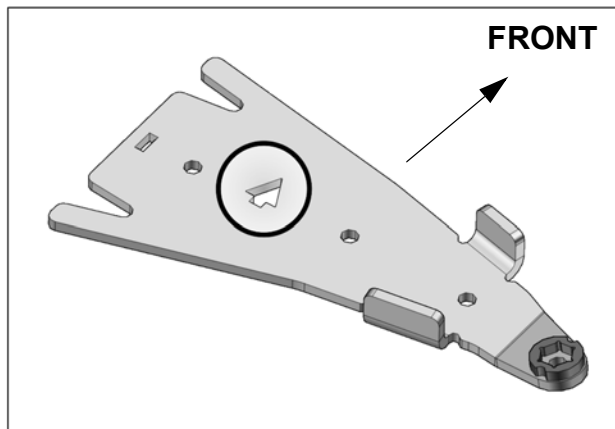


Fig. 1

PREPARATION

- Set each Track System unit near the position indicated by the sticker affixed on the frame.

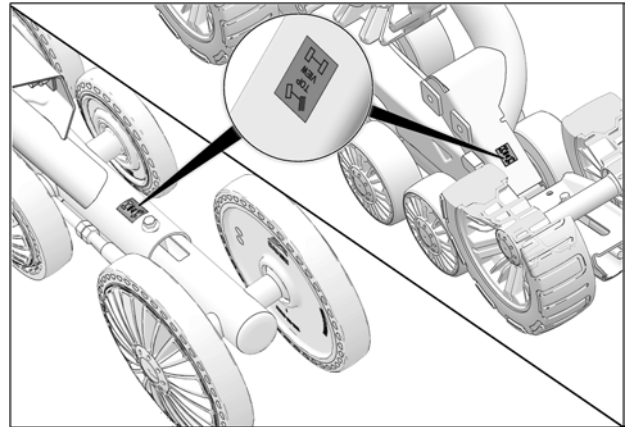


Fig. 2

**** IMPORTANT:** Start by installing the REAR Track Systems first. **

REAR TRACK SYSTEM INSTALLATION

- Remove rear wheels. Make sure that wheel studs and wheel hubs are free of dirt.
- If needed, remove CV joint protectors.
- Remove bolt, washers and spacer bushings from rear stabilizing rod end. See Fig. 3

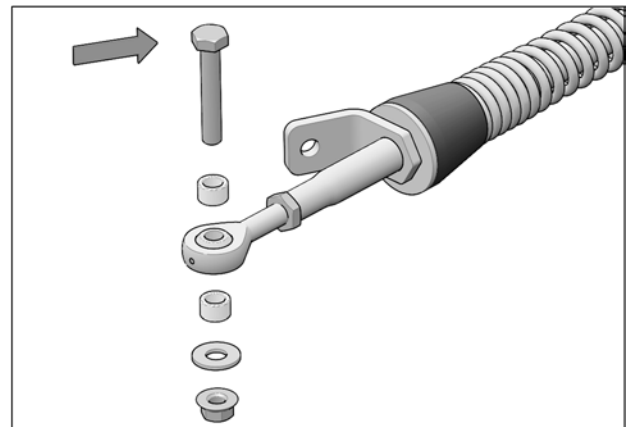


Fig. 3

4. Remove bolt securing the lower suspension arm to the wheel hub. A new M10-1.5x200 mm bolt provided in the installation kit will be used to secure together the anti-rotation anchor bracket, the lower suspension arm and the wheel hub. See Fig. 4

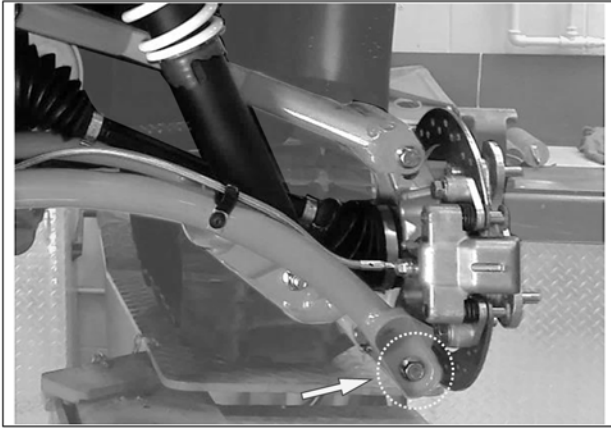


Fig. 4

5. Position anchor bracket (B1-B2) under lower suspension arm. Slip C-shaped end of bracket on suspension arm cross-member. See Fig. 5

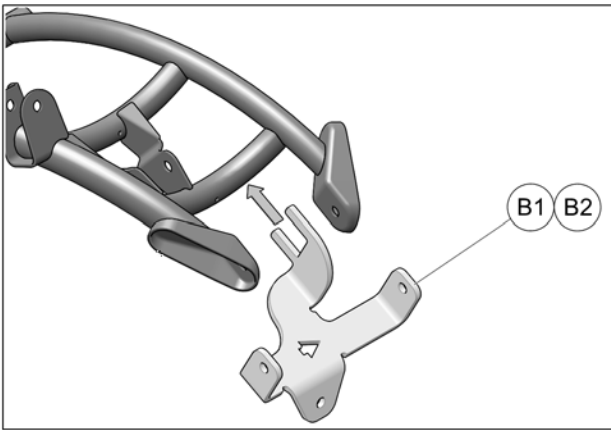


Fig. 5

6. Install spacers (B4) in the position shown below. Rotate anchor bracket up to align all holes. Fig. 6

NOTE: Arrow cutout in anchor bracket must point front of vehicle.

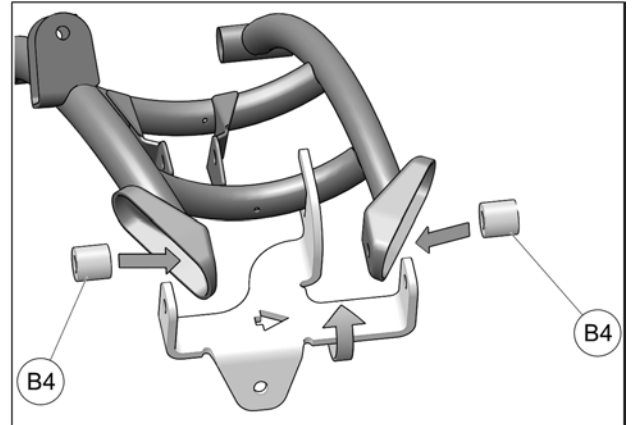


Fig. 6

7. Insert new M10x200mm bolt (B3) through anchor bracket, spacers, suspension arm and wheel hub. Use nut (B5) provided to tighten the assembly to 50 N•m [37 lb•ft] of torque. See Fig. 7

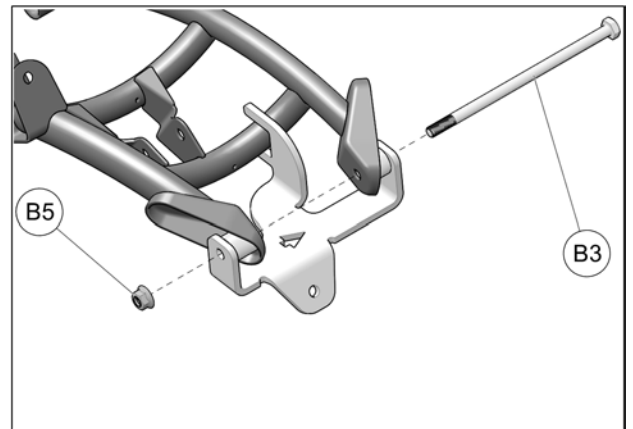


Fig. 7

8. Tighten assembly to 50 N•m [37 lb•ft] of torque. See Fig. 8

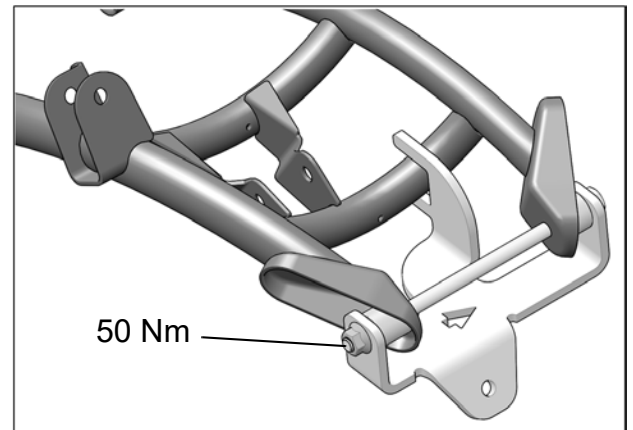


Fig. 8

9. Secure undercarriage to rear hub using the provided M10 lug nuts (D). Use bolt circle $\text{\O}156$ mm. See Fig. 9

CAUTION: If needed, take rubber protector off of hub.

CAUTION: Follow torque specification indicated by vehicle manufacturer when tightening wheel nuts.

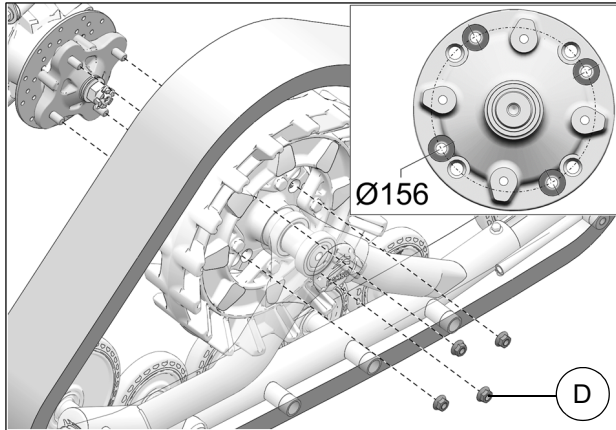


Fig. 9

10. Attach stabilizing rod (2) to anchor bracket (1), using bolt (3), spacer bushings (4), flat washer (5) and nut (6). Torque to $70 \text{ N}\cdot\text{m}$ [$52 \text{ lb}\cdot\text{ft}$]. See Fig. 10

CAUTION: Components must be assembled in the order shown.

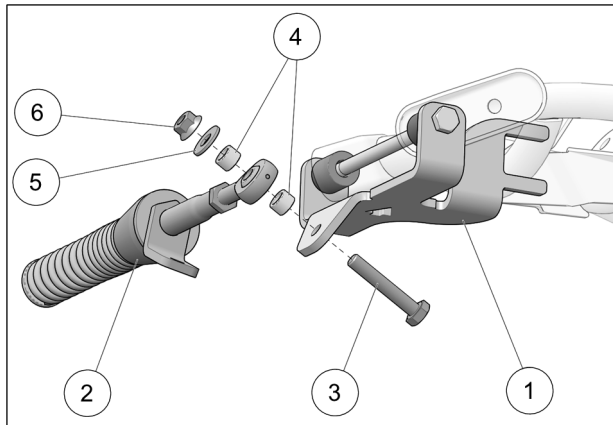


Fig. 10

11. Verify that spring assembly bolt (7) is tightened to the recommended torque specification: $75 \text{ N}\cdot\text{m}$ [$55 \text{ lb}\cdot\text{ft}$]. Refer to Fig. 11

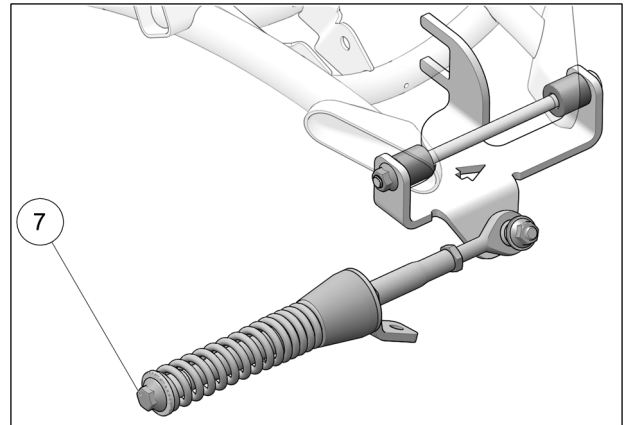


Fig. 11

12. Inspect the rear track systems and ensure that all mounting bolts were correctly tightened during installation.

REAR SUSPENSION STIFFENER

13. Remove the flange nylon nuts from the mounting bolts securing the rear suspension lower arms (near front of differential). Refer to Fig. 12

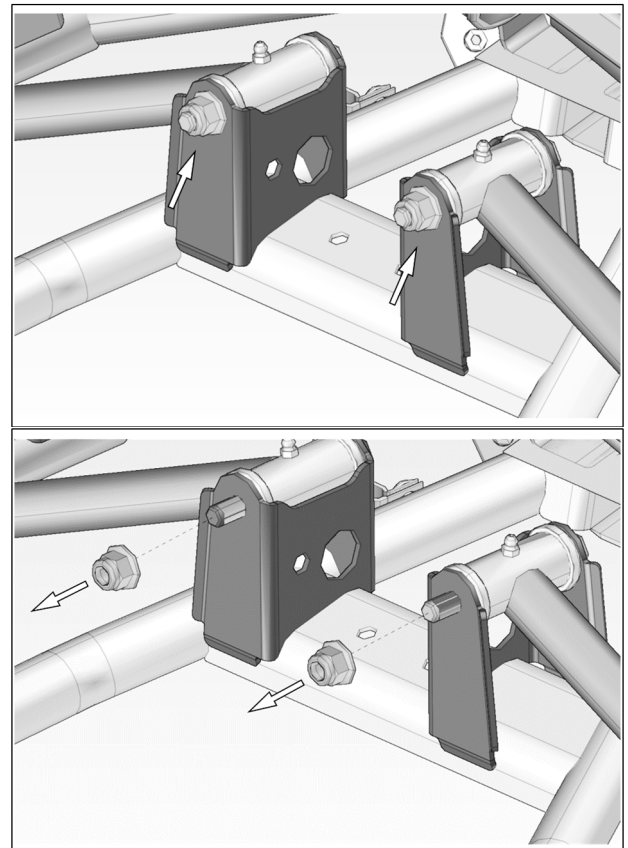


Fig. 12

14. Insert the suspension stiffener plate (E1) on the lower a-arms mounting bolts. Secure the stiffener plate using the nylon nuts (E2) provided. Tighten nuts to 50 N•m [37 lb•ft] of torque. Refer to Fig. 13

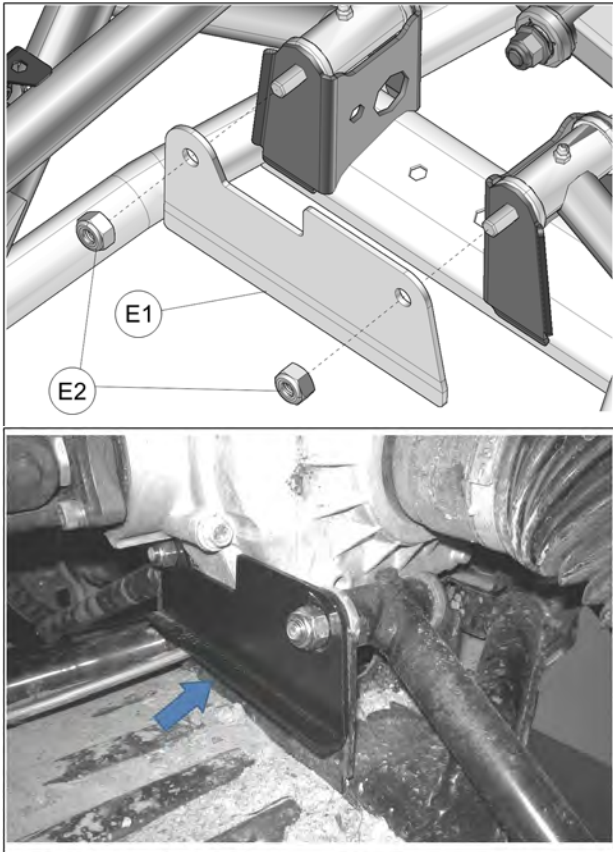


Fig. 13

FRONT TRACK SYSTEM INSTALLATION

1. Remove front wheels. Make sure that wheel studs and wheel hubs are free of dirt.
2. If applicable, remove CV joint protectors.
3. Remove bolts, nuts, washers and bushings from front stabilizing rod ends as shown in Fig. 14

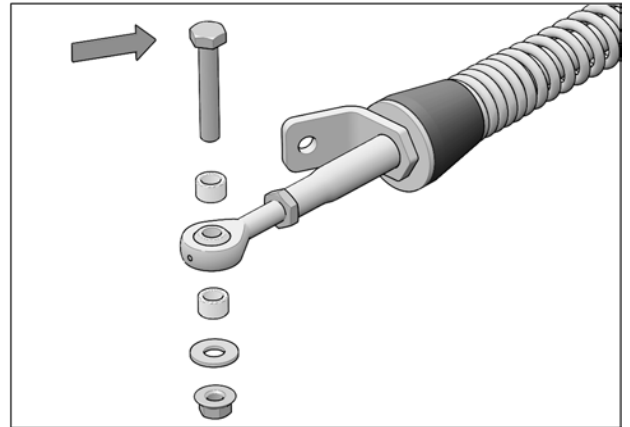


Fig. 14

4. Insert bolt in front anchor brackets (A1-A2) as shown in Fig. 15

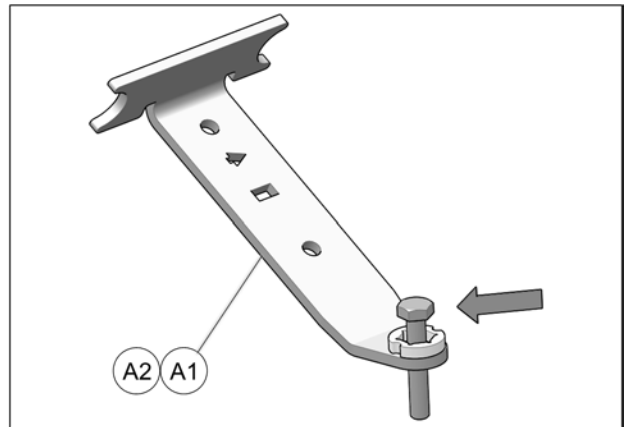


Fig. 15

CAUTION: Make sure that the bolt is inserted in the right direction. See Fig. 16

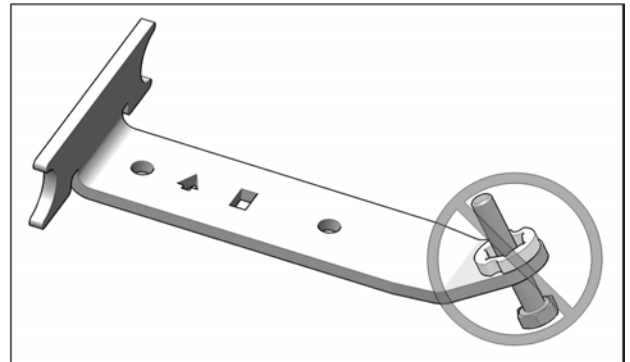


Fig. 16

- Remove lower shock absorber mounting bolt temporarily and pivot the shock absorber away from mounting point. You will then be able to lift the suspension arms to facilitate installation of anchor bracket cover. See Fig. 17

NOTE: Reassemble shock absorber and mounting bolt after installation of anchor bracket kit.

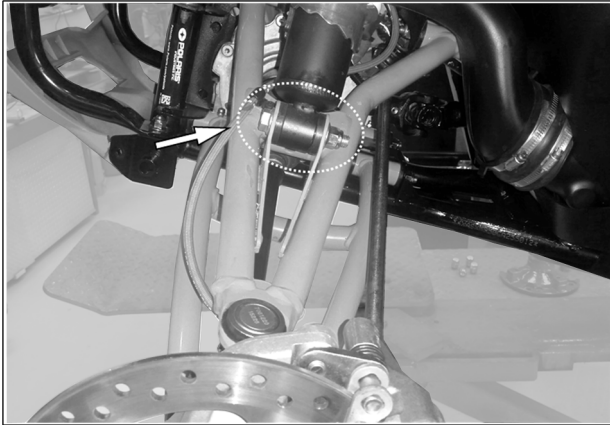


Fig. 17

- Position bottom part of anchor bracket (A1-A2) under lower suspension arm. Position top part (A3-A4) over suspension arm and insert tenon in mortise cut in bottom part. See Fig. 18

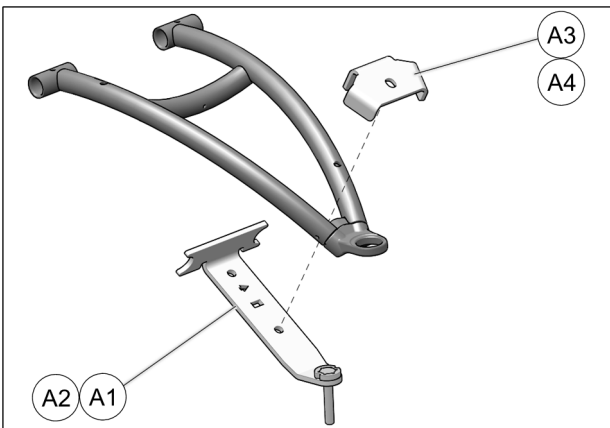


Fig. 18

- Insert the M10x55mm bolt (A5) through the top and secure the two parts together with the nut (A6) provided. Tighten assembly to 50 N•m [37 lb•ft] of torque. See Fig. 19

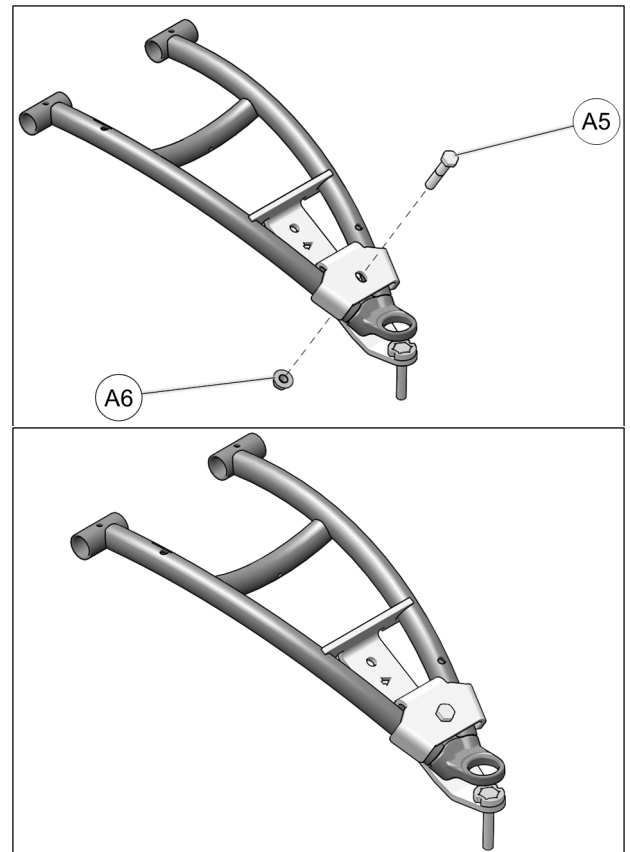


Fig. 19

- Secure undercarriage to front hub using the provided M10 lug nuts (D). Use bolt circle Ø156mm. See Fig. 20

CAUTION: If needed, take rubber protector off of hub.

CAUTION: Follow torque specification indicated by vehicle manufacturer when tightening wheel nuts.

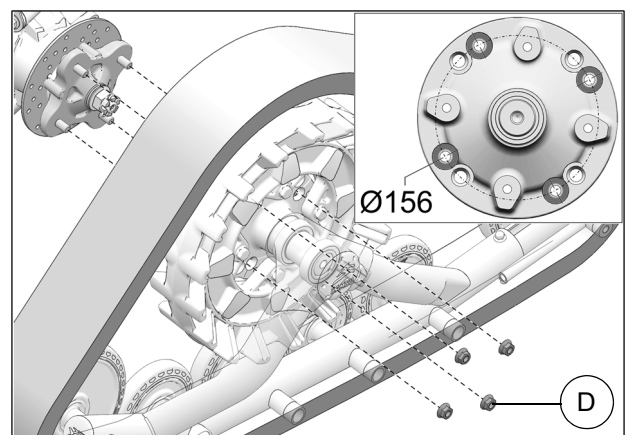


Fig. 20

- Attach the stabilizing rod (2) to the anchor bracket (1), using the two spacers (3), washer (4), and nut (5). Torque to 70 N•m [52 lb•ft]. Refer to Fig. 21

CAUTION: Components must be assembled in the order shown.

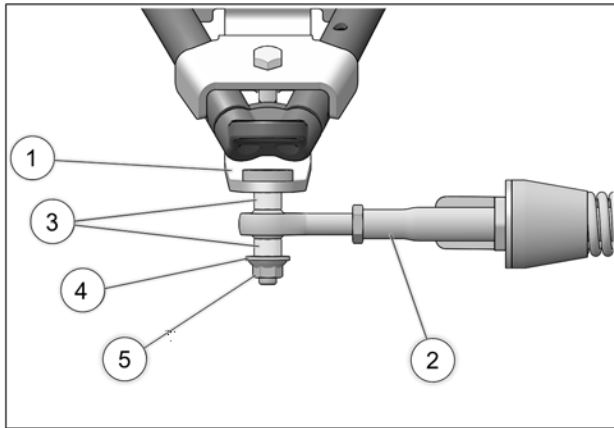


Fig. 21

- Verify that spring assembly bolt (6) is tightened to the recommended torque specification: 75 N•m [55 lb•ft]. Refer to Fig. 22

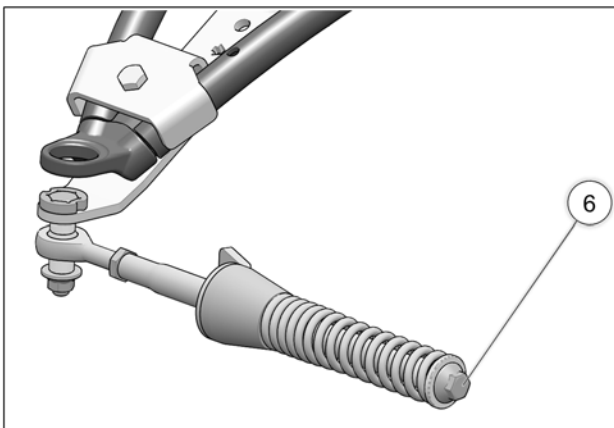


Fig. 22

STEERING LIMITER INSTALLATION

- Assemble steering limiter cables (C2), aluminum disks (C1) and step spacers (C5) together as shown on Fig. 23

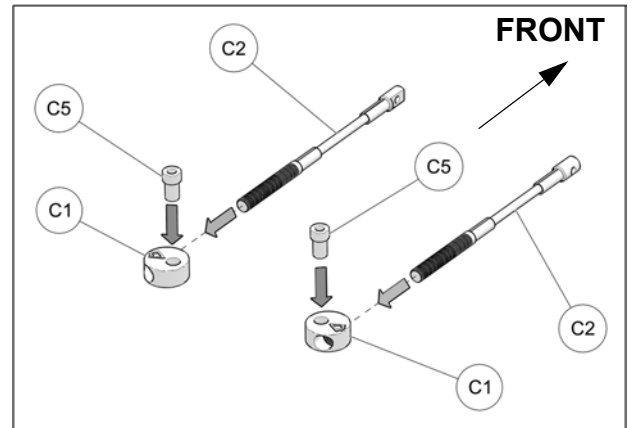


Fig. 23

IMPORTANT

- Apply grease evenly all around step spacer bushing (C5) and in hole of aluminum disk (C1) when assembling these parts together. See Fig. 24

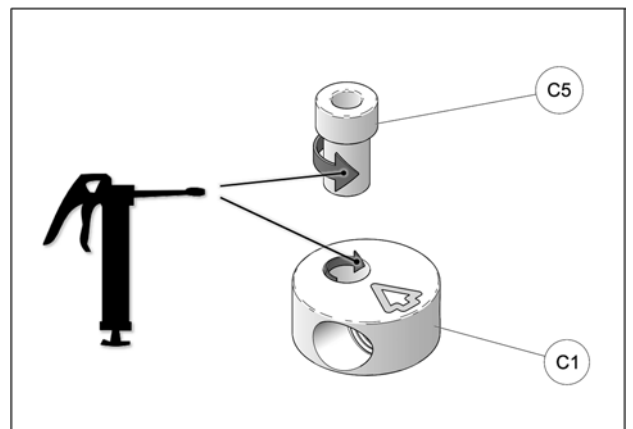


Fig. 24

13. Attach steering limiter cable assembly under anchor bracket using bolt (C3) inserted through bottom, with washer (C6), and nut (C7). Tighten nut to 50 N•m [37 lb•ft]. Refer to Fig. 25

NOTE: Make sure arrow on top of aluminum disk points towards front of vehicle.

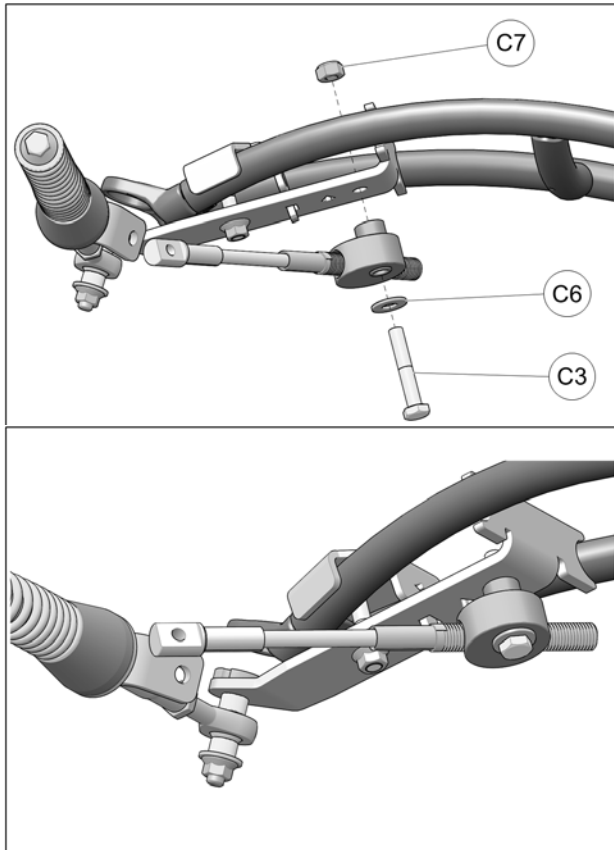


Fig. 25

IMPORTANT

14. Make sure aluminum disk pivot point is installed in front of steering limiter cable. See Fig. 26

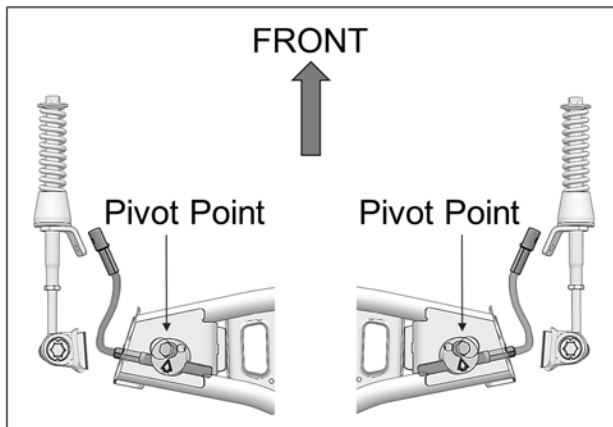


Fig. 26

STEERING LIMITER ADJUSTMENT

WARNING: Before going to the next steps, make sure that stabilizing arms are correctly installed, and that the angle of attack and alignment are correct. Refer to the *User Manual* supplied at purchase.

15. Turn the vehicle's steering wheel to its maximum point of travel on the left. While maintaining pressure on the steering wheel, turn threaded rod to adjust length of cable. See Fig. 27

16. Position cable end hole (1) 19 mm [$\frac{3}{4}$ in.] short of support plate (2) mounting hole. See Fig. 27

WARNING: To prevent potential damage to vehicle components, the **** $\frac{3}{4}$ inch [19 mm] **** gap is **mandatory**.

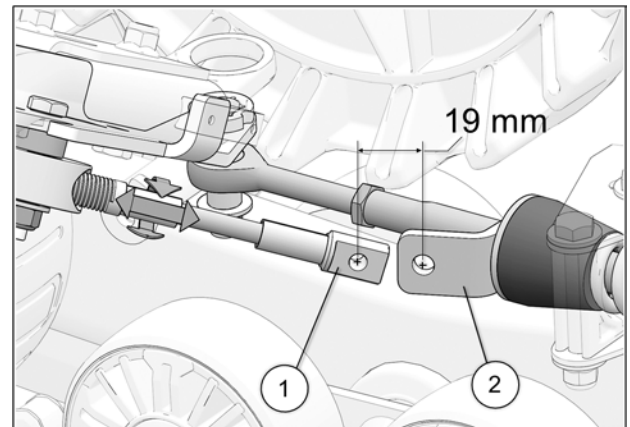


Fig. 27

17. Reverse steering wheel a little to be able to bolt support plate and cable together. Tighten provided bolt (C4) to 35 N•m [24 lb•ft]. See Fig. 28. Repeat steps on right side.

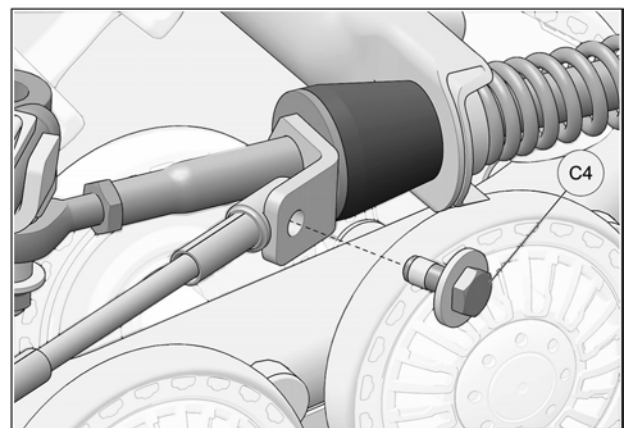


Fig. 28

FINAL INSTALLATION

1. Verify the suspension settings. If the shock absorbers are adjustable, adjust them to the stiffest setting to allow for maximum clearance between the System and the vehicle's fenders. See Fig. 29

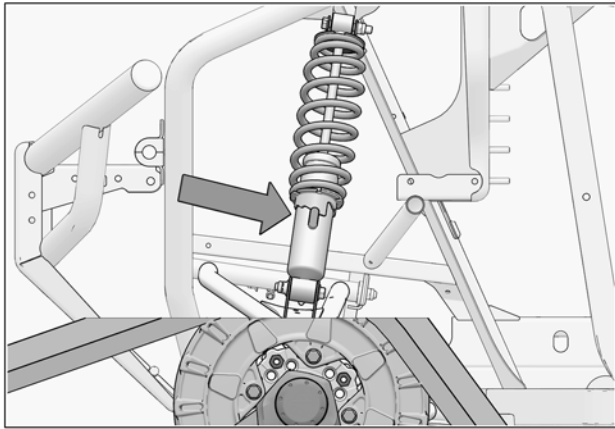


Fig. 29

2. Verify for possible contact between Track System and lower fender corners. See Fig. 30

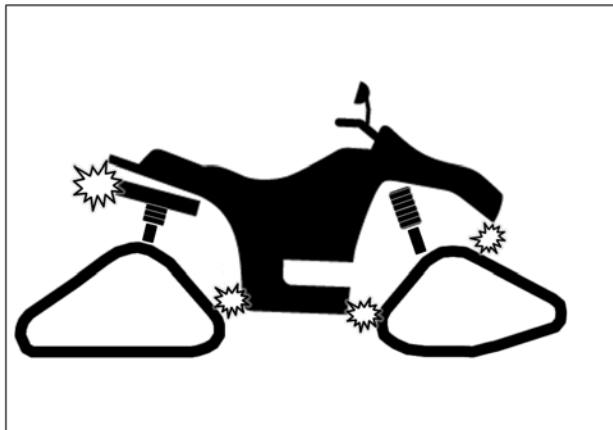


Fig. 30

CAUTION: If there is contact, the fender should be modified (cut) to avoid damage to the vehicle's components and premature wear on rubber track.

3. To prevent any contact between the undercarriage and the mud guards, the rear corners of the mud guards should be trimmed back. This will help avoid damage to the ATV and prevent premature wear on the rubber track. See Fig. 31

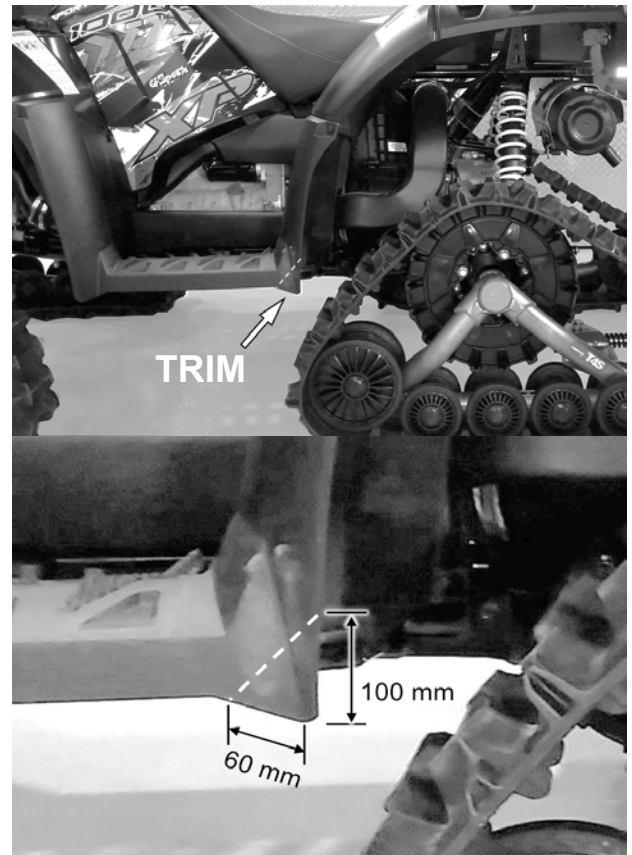


Fig. 31

4. Lower the vehicle to the ground.

ADJUSTMENTS

CAUTION: The Track System is designed to provide the best traction performance and floatability. Adjustments such as alignment, track tension, and angle of attack are necessary for optimal System performance. For more information on these adjustments, refer to the document entitled *ADJUSTMENTS* or to the *USER MANUAL* provided with the installation kit specific to the vehicle.

REMOVAL

CAUTION: Leaving the anti-rotation anchor brackets attached to the suspension arms, after having removed the Track Systems, could cause interference which might damage the vehicle. Remove all Track System anti-rotation mechanism components installed on the vehicle before reinstalling the wheels.

CAUTION: Track Systems mounted on a vehicle increase ground clearance and stability. Be careful after re-installing your wheels; the handling characteristics of the vehicle will differ from those produced by Track Systems.

STORAGE

CAUTION: Contaminants can alter and corrode the moving parts of the Track System during storage. It is strongly recommended to perform the prescribed maintenance before storing the Track System.

Dealer or distributor phone number:

Serial number:

Date of purchase:

Date d'achat:

No. de série:

Tél. du concessionnaire / distributeur:

ATTENTION: Les contaminants peuvent altérer et corrompre les pièces mobiles des systèmes de traction pendant le remisage. Il est fortement recommandé d'effectuer l'entretien prescrit avant de remettre les systèmes de traction.

REMISAGE

ATTENTION: Les systèmes de traction augmentent la garde au sol et accroissent la stabilité du véhicule. Faire preuve de prudence lors du retour aux roues d'origine du véhicule; les caractéristiques de conduite seront différentes de celles associées avec les systèmes de traction.

ATTENTION: Si les ancrages anti-rotation sont laissés aux bras de suspension lors du retrait des systèmes de traction, il peut en résulter des interférences qui peuvent endommager le véhicule. Retirer les composantes du système anti-rotation lors de la réinstallation des roues.

DÉMONTAGE

ATTENTION: Le système de traction a été conçu pour offrir les meilleures performances en termes d'alignement, tension des chenilles et angle d'attaque sont nécessaires pour obtenir les performances optimales. Pour plus de renseignements sur ces ajustements, voir le document **RÉGLAGES** ou le **MANUEL DE L'UTILISATEUR** fournis avec l'ensemble d'installation du véhicule.

AJUSTEMENTS

FINALISER L'INSTALLATION

1. Vérifier l'ajustement de la suspension; si les amortisseurs sont réglables, ils doivent être réglés au niveau le plus ferme pour permettre un maximum de dégagement entre les systèmes et les ailes du véhicule. Voir la Fig. 29

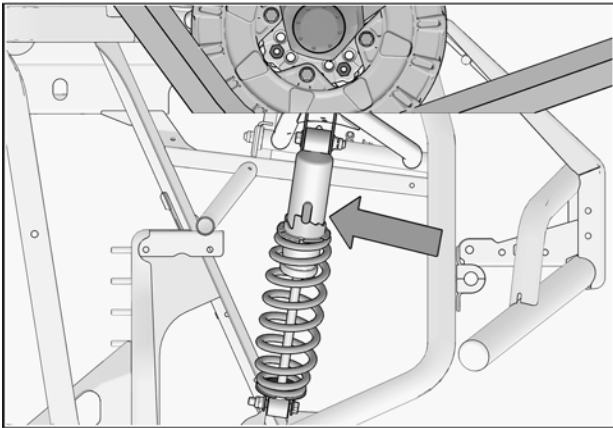


Fig. 29

2. Vérifier s'il y a possibilité de contact entre le système de traction et les coins inférieurs des ailes. Voir la Fig. 30

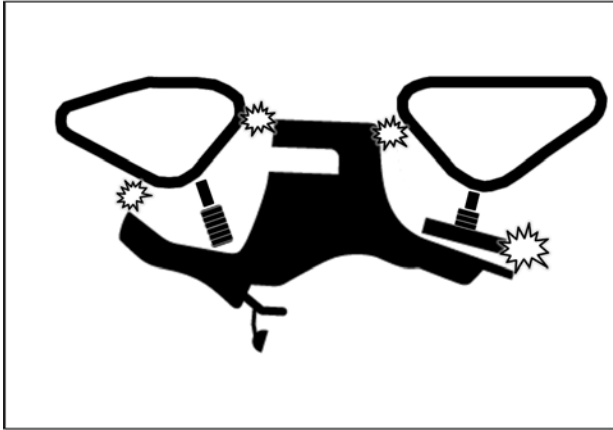


Fig. 30

ATTENTION: S'il y a contact, modifier (découper) les ailes pour éviter des dommages aux composants du véhicule et toute usure prématurée des chenilles.

3.

Pour éviter tout contact possible entre le système de traction et les gardes-boue, couper les coins inférieurs arrière des gardes-boue. Ceci permettra d'éviter des dommages au VTT et l'usure prématurée des chenilles. Voir la Fig. 31

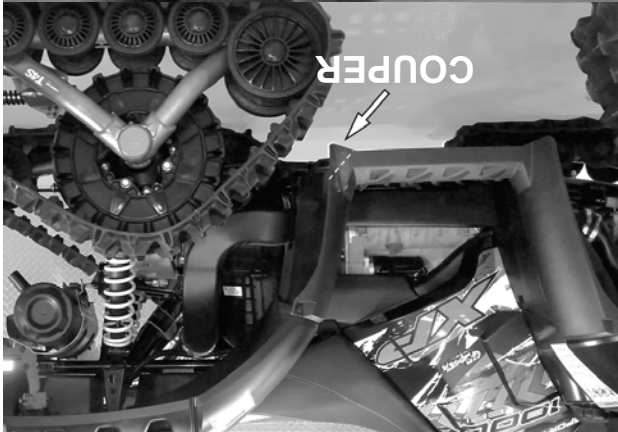


Fig. 31

4. Abaisser le véhicule au sol.



LIMITEURS DE CONDUITE - AJUSTEMENT

AVERTISSEMENT: Avant de passer aux étapes suivantes, les bras stabilisateurs doivent être correctement installés et les ajustements de l'angle d'attaque et de l'alignement doivent être complétés. Voir le *Manuel de l'utilisateur* fourni lors de l'achat.

15. Tourner le volant du véhicule au maximum de la course du côté gauche. En maintenant une pression au volant, ajuster le câble (en vissant ou dévissant pour ajuster la longueur). Voir la Fig. 27

16. Obtenir une distance de 19 mm [$\frac{3}{4}$ po.] du centre de l'extrémité du câble (1) au centre de l'extrémité du support de fixation (2). Voir la Fig. 27

AVERTISSEMENT: Pour éviter toute possibilité d'endommager des composantes du véhicule, la distance ** 19 mm [$\frac{3}{4}$ po.] doit être obligatoirement respectée.

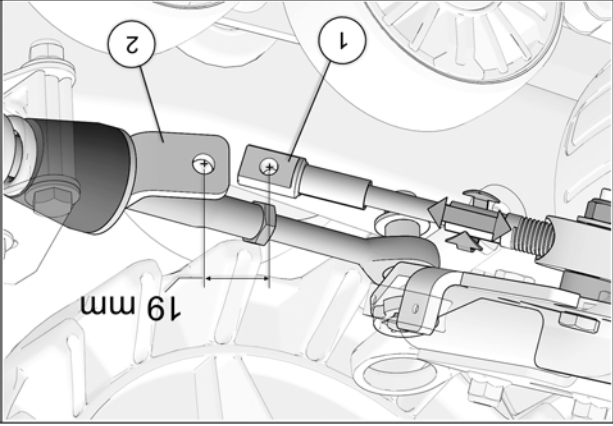


Fig. 27

17. Tourner légèrement le volant dans le sens contraire jusqu'à ce que le câble puisse être fixé à la plaque de support en utilisant le boulon (C4) fourni. Serrer à un couple de 35 N•m [24 lb•pi]. Voir la Fig. 28. Effectuer le même exercice du côté droit.

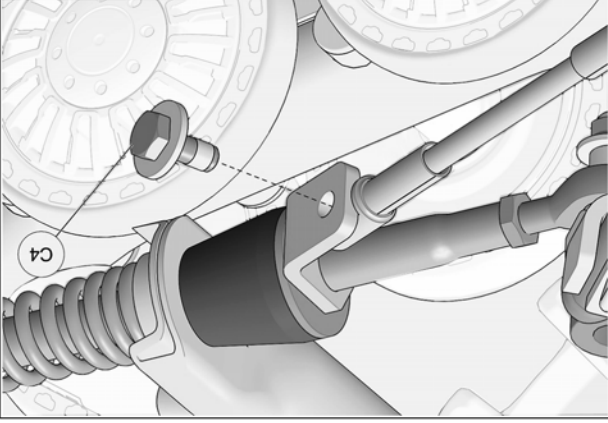


Fig. 28

NOTE: La flèche sur le disque en aluminium doit pointer vers l'avant du véhicule.

13. Positionner le disque du câble assemblé du limiteur de conduite sur l'ancrage, l'érou (C3) et la rondelle (C6) par le dessous, l'érou (C7) par le dessus pour fixer le limiteur de conduite en place. Serrer l'érou à un couple de 50 N•m [37 lb•pi]. Voir la Fig. 25

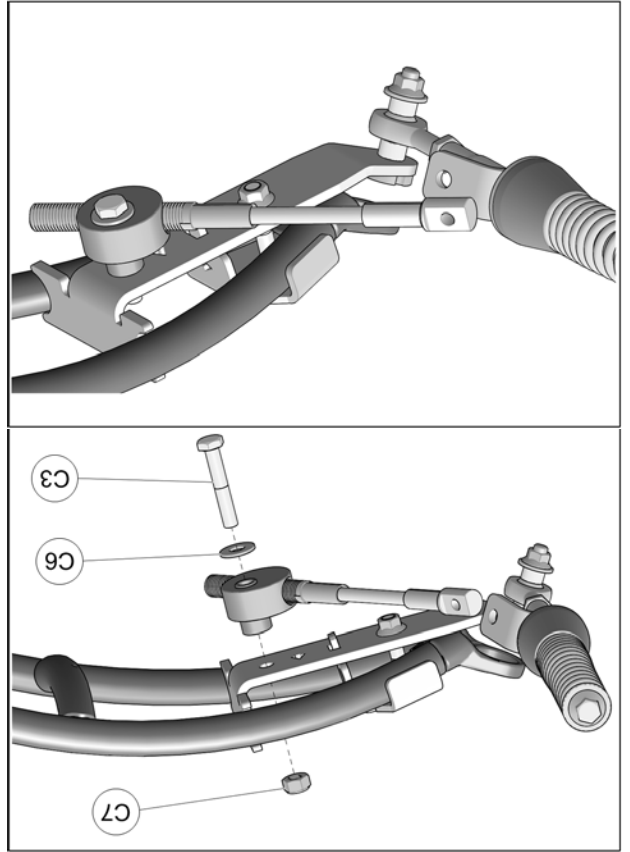


Fig. 25

14. À l'assemblage, assurez-vous que le point de pivot du disque en aluminium soit positionné en avant du câble du limiteur de conduite. Voir la Fig. 26

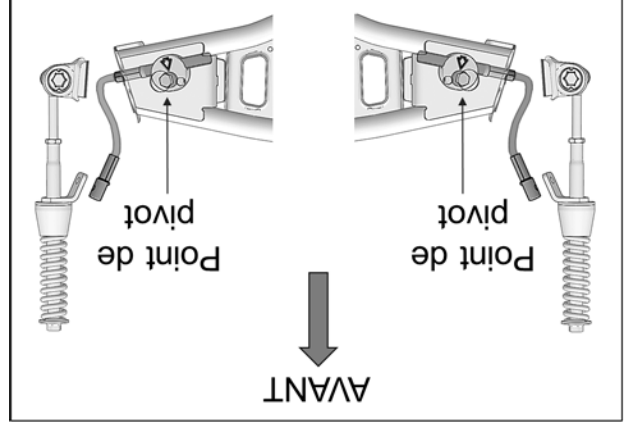
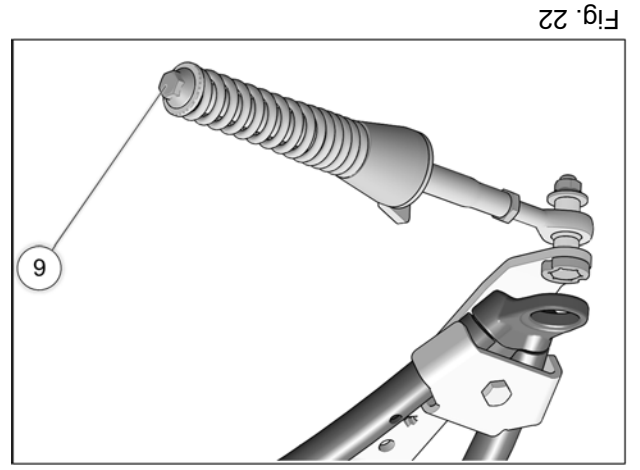
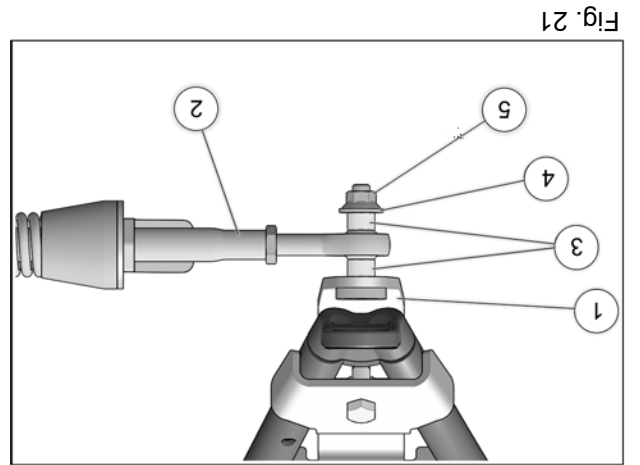


Fig. 26

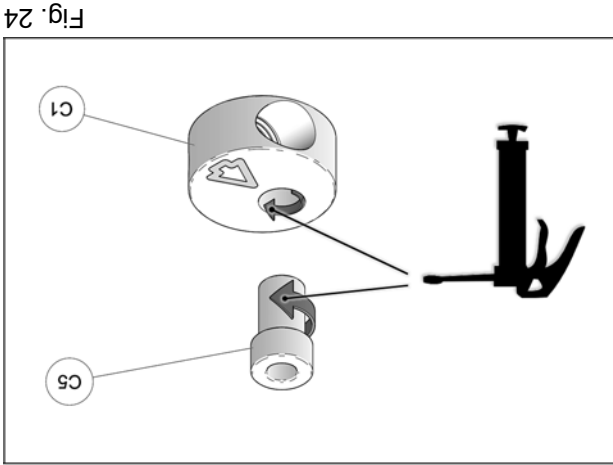
IMPORTANT



10. Vérifier que le boulon du ressort (6) est serré au couple recommandé : 75 N•m [55 lb•pi]. Fig. 22

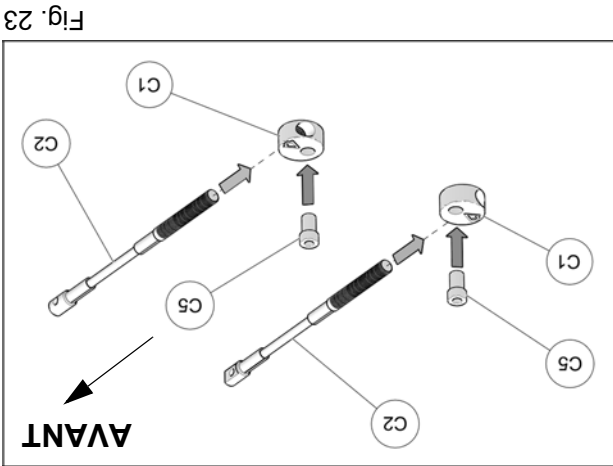


9. Fixer le bras stabilisateur (2) à l'ancrage de suspension (1) à l'aide des deux espaceurs (3), de la rondelle (4) et de l'écrou autobloquant (5). Serrer à un couple de 70 N•m [52 lb•pi]. Voir la Fig. 21 dans l'ordre indiqué.



12. Les bagues espaceurs (C5) doivent être graissées. Appliquer une couche de graisse uniforme sur toute la circonférence de la bague espaceur et dans le logement du disque en aluminium (C1). Fig. 24

IMPORTANT



11. Assembler les câbles des limiteurs de conduite espaceurs (C5) tel que montré à la Fig. 23

LIMITEURS DE CONDUITE - INSTALLATION

5. Retirer temporairement le boulon de fixation inférieur de l'amortisseur et dégager l'amortisseur du point de fixation. Cela vous permettra de soulever les bras de suspension afin de pouvoir installer le couvert de l'ancrage. Voir la Fig. 17

NOTE: Réassembler l'amortisseur et le boulon après avoir installé l'ancrage antitrottement.



Fig. 17

6. Positionner la partie inférieure de l'ancrage anti-rotation (A1-A2) sous le bras de suspension inférieur. Positionner la partie supérieure (A3-A4) au-dessus du bras de suspension de façon à ce que le tenon de la partie pliée s'aligne dans l'ouverture de la partie inférieure. Voir la Fig. 18

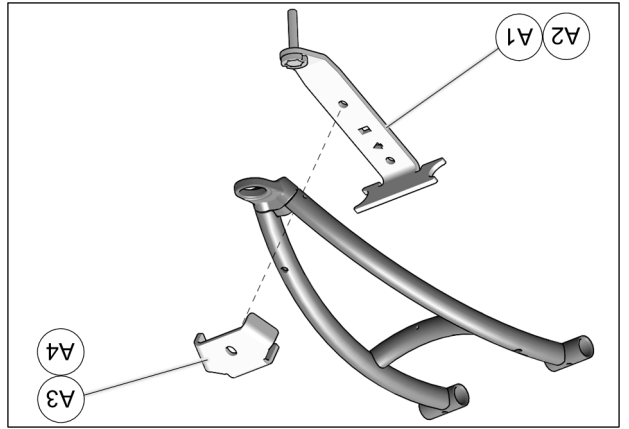
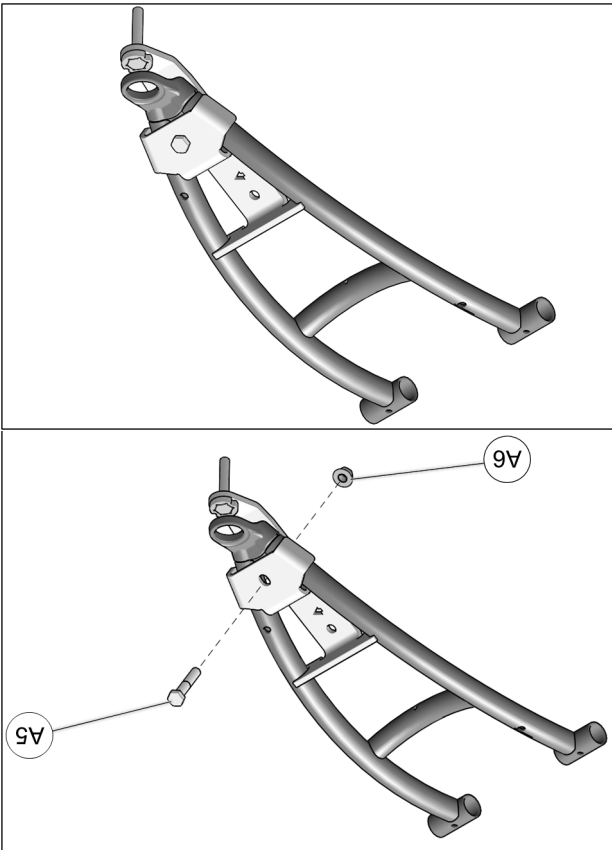


Fig. 18

7. Insérer le boulon M10x55mm (A5) par le dessus de l'ancrage. Assembler les deux parties avec l'écrou (A6) fourni. Serrer l'assemblage à un couple de 50 N•m [37 lb•pi]. Voir la Fig. 19

Fig. 19



8. Fixer le système de traction au moyeu de roue avant. Utiliser le cercle de perçage de Ø156mm et les écrous de roue M10 (D) fournis. Voir la Fig. 20

ATTENTION: Retirer le protecteur en caoutchouc du moyeu, s'il y a lieu.
ATTENTION: Serrer les écrous de roue au couple de serrage indiqué par le fabricant du véhicule.

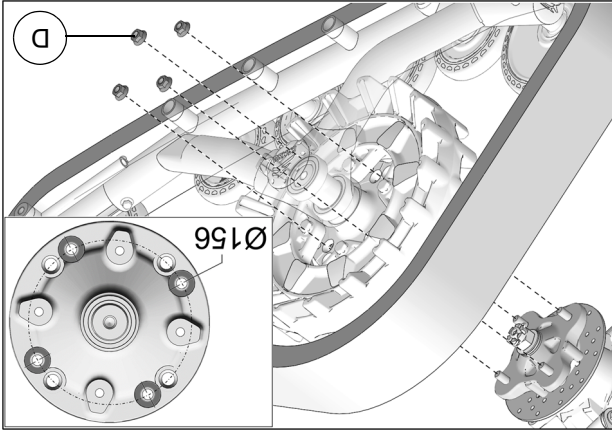


Fig. 20

SYSTÈMES AVANT - INSTALLATION

1. Enlever les roues avant. S'assurer que les goujons et les moyeux de roue sont exempts de saleté.
2. Retirer les protecteurs de joint homocinétique, si nécessaire.
3. Retirer les boulons, rondelles, espaceurs et écrous installés aux rotules des bras stabilisateurs des systèmes avant. Voir la Fig. 14

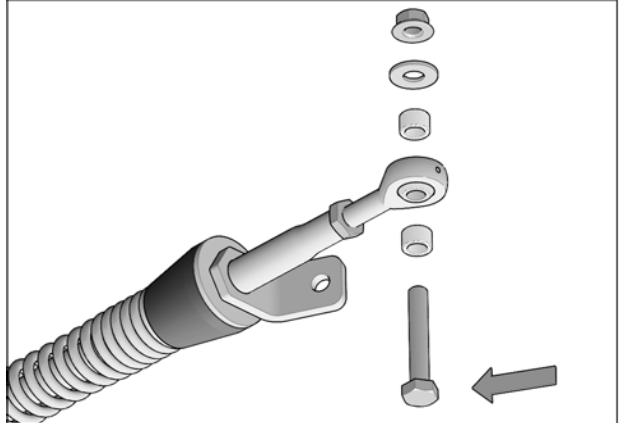


Fig. 14

4. Insérer un boulon à l'extrémité de chacun des ancrages de suspension avant (A1-A2). Fig. 15

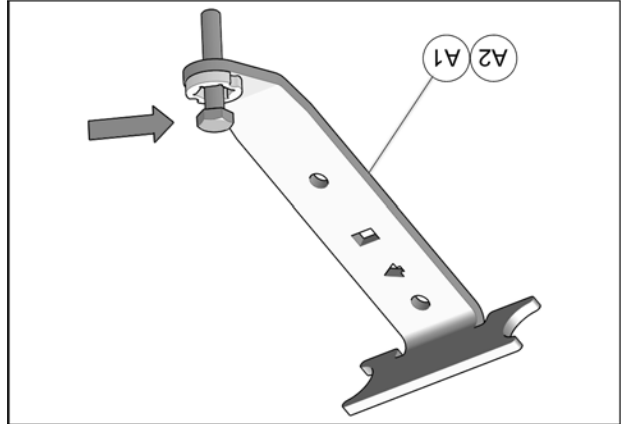


Fig. 15

ATTENTION: Assurez-vous d'insérer le boulon dans le bon sens. Voir la Fig. 16

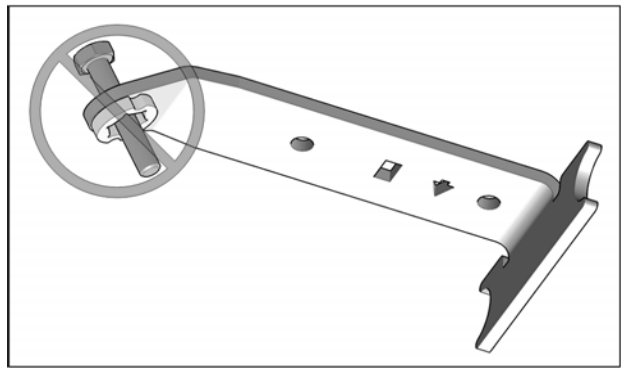


Fig. 16

14. Insérer le renfort de suspension (E1) aux boulons fournis. Serrer les écrous à un couple de 50 N•m [37 lb•pi]. Voir la Fig. 13

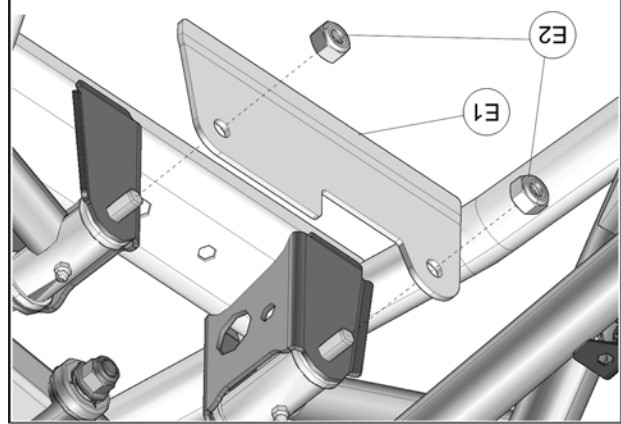
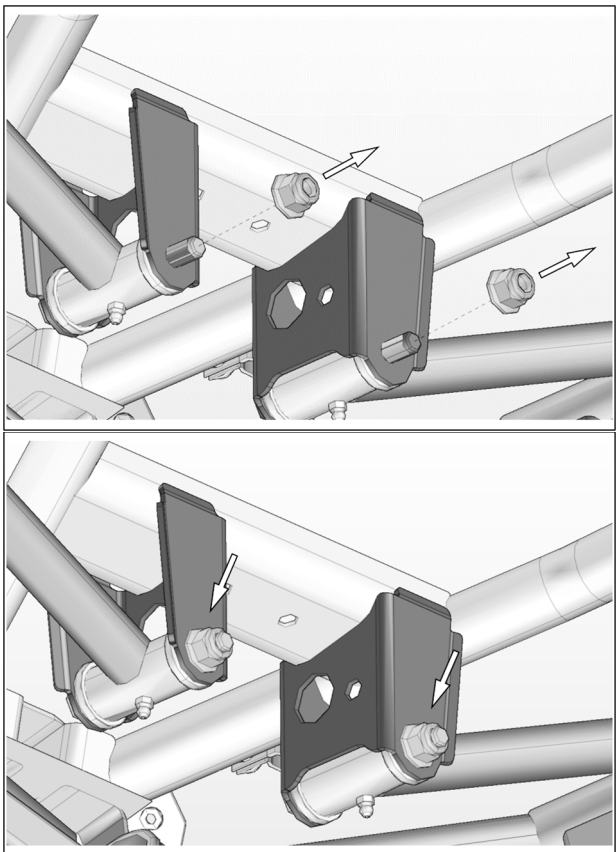


Fig. 13

Fig. 12

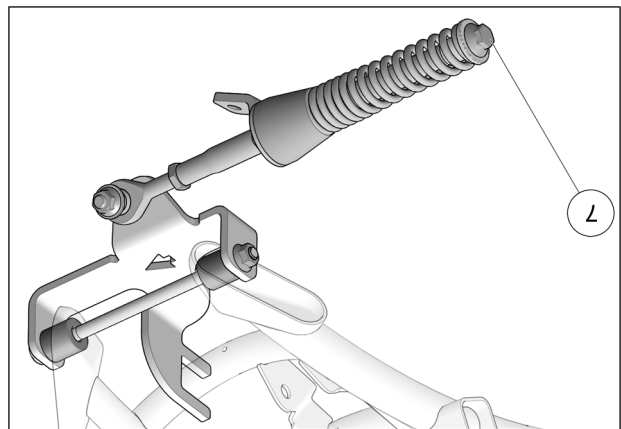


13. Retirer les écrous nylon des boulons de fixation des bras de suspension inférieurs arrière, situés à l'avant du différentiel. Voir la Fig. 12

RENFORT DE SUSPENSION ARRIÈRE

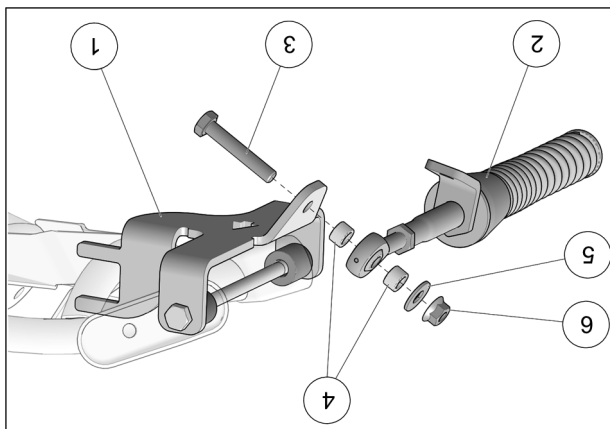
12. Inspecter les systèmes de traction arrière et s'assurer que tous les boulons ont été serrés correctement lors de l'installation.

Fig. 11



11. Vérifier que le boulon du ressort (7) est serré au couple recommandé : 75 N•m [55 lb•pi]. Fig. 11

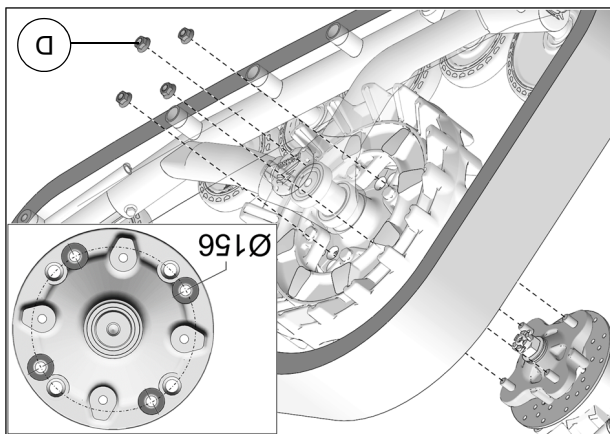
Fig. 10



ATTENTION: Assurez-vous d'assembler les pièces dans l'ordre indiqué.

10. Fixer le bras stabilisateur (2) à l'ancrage de suspension (1) à l'aide du boulon (3) des espacers (4), de la rondelle (5) et de l'écrou autobloquant (6). Serrer à un couple de 70 N•m [52 lb•pi]. Voir la Fig. 10

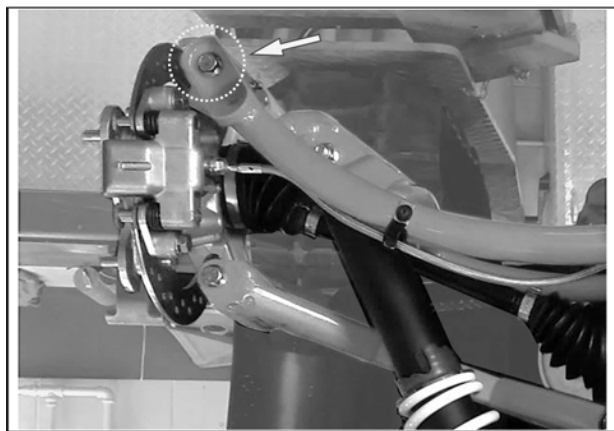
Fig. 9



ATTENTION: Serrer les écrous de roue au couple de serrage indiqué par le fabricant du véhicule.

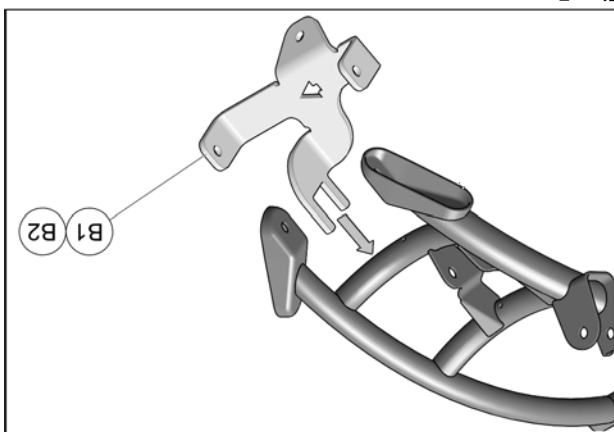
ATTENTION: Retirer le protecteur en caoutchouc du moyeu, s'il y a lieu.

9. Fixer le système de traction au moyeu de roue arrière. Utiliser le cercle de perçage de $\text{Ø}156\text{mm}$ et les écrous de roue M10 (D) fournis. Voir la Fig. 9



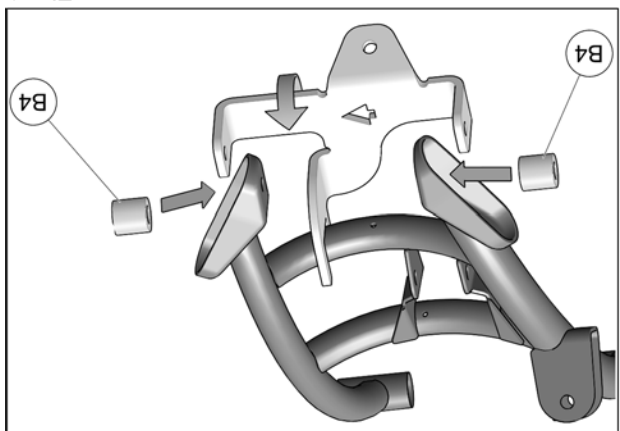
4. Retirer le boulon de fixation du bras de suspension inférieur au moyen de roue. Un nouveau boulon M10-1,5x200mm, fourni dans l'ensemble d'installation, sera utilisé pour relier l'ancrage anti-rotation, le bras de suspension inférieur et le moyen de roue. Voir la Fig. 4

Fig. 4



5. Positionner l'ancrage anti-rotation (B1-B2) sous le bras de suspension arrière. Glisser l'ouverture en «C» au tube transversal du bras de suspension. Voir la Fig. 5

Fig. 5



6. Installer les espacers (B4) aux positions montrées ci-dessous et pivoter l'ancrage vers le haut pour aligner tous les trous. Voir la Fig. 6
 NOTE: La flèche de l'ancrage doit pointer vers l'avant du véhicule

Fig. 6

7. Insérer le nouveau boulon M10x200mm (B3) à travers l'ancrage, les espacers, le bras de suspension et le moyen de roue. Assembler les parties à l'aide de l'écreu (B5) fourni. Voir la Fig. 7

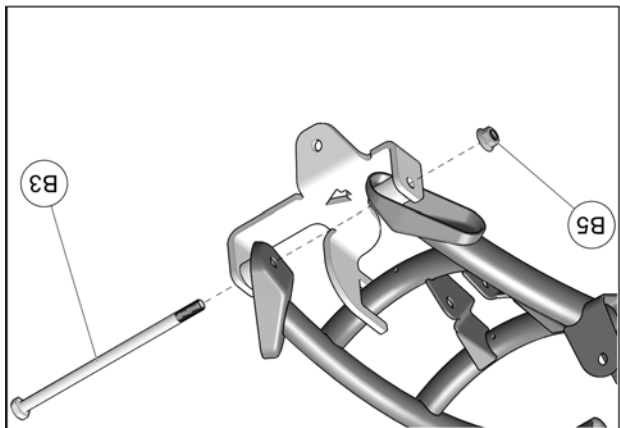


Fig. 7

8. Serrer l'assemblage à un couple de 50 N•m [37 lb•pi]. Voir la Fig. 8

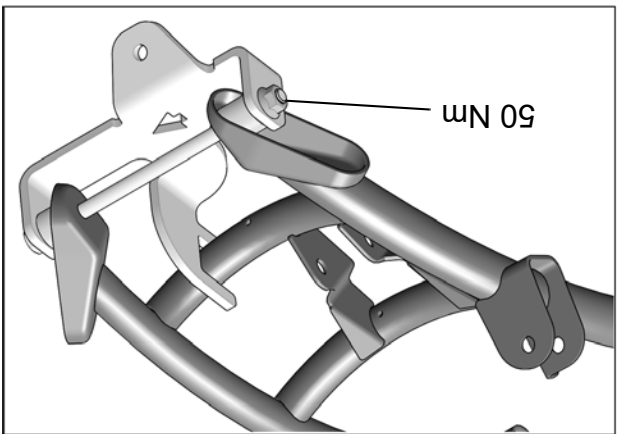


Fig. 8

COUPLES DE SERRAGE

Couples de serrage recommandés selon les dimensions et les grades des boulons.

GRADE	DIMENSION	
	Nm	lb-pi
M6-1.0	10	7
M8-1.25	25	18
M10-1.5	50	37
M12-1.75	90	66
	Nm	lb-pi
	8.8	10.9

NOTE: Utiliser une pâte de blocage de fillet de type Loctite 262, ou l'équivalent, aux endroits indiqués aux vues explosées du Manuel de l'utilisateur.

INFORMATION

1. Des flèches indiquant l'avant du véhicule sont découpées dans certaines composantes des ancrages. S'assurer que ces flèches pointent vers l'avant du véhicule à l'assemblage de celles-ci. Fig. 1

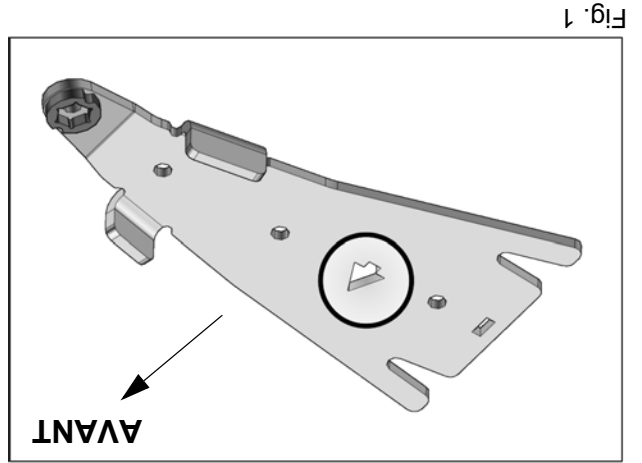


Fig. 1

PRÉPARATION

1. Placer chaque système de traction près de sa position d'installation indiquée sur l'étiquette apposée au châssis.

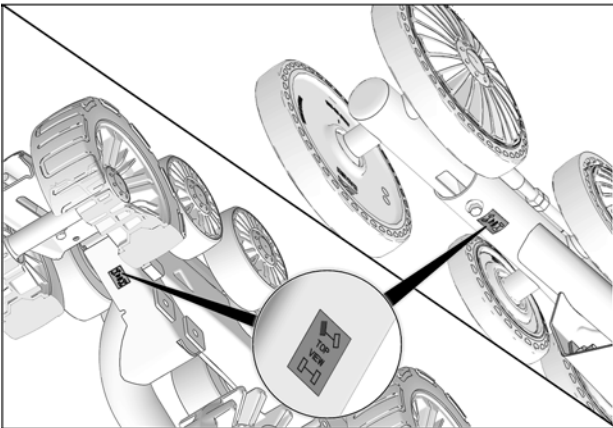


Fig. 2

**** IMPORTANT:** Débuter par l'installation des systèmes de chenille ARRIÈRE. **

SYSTÈMES ARRIÈRE - INSTALLATION

1. Enlever les roues arrière. S'assurer que les goujons et les moyeux de roue sont exempts de saleté.
 2. Retirer les protecteurs de joint homocinétique, si nécessaire.
 3. Retirer les boulons, rondelles et espaces des rotules des bras stabilisateurs des systèmes arrière. Fig. 3

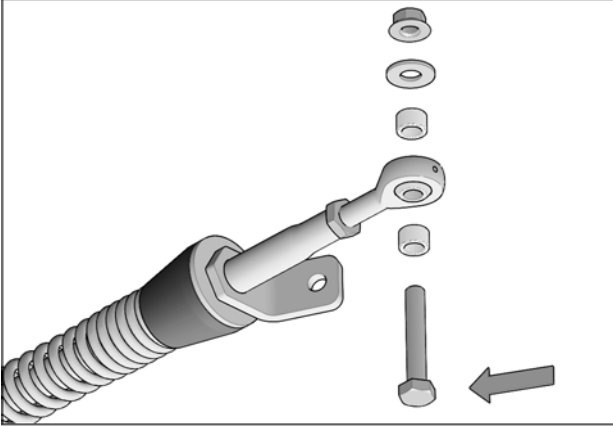
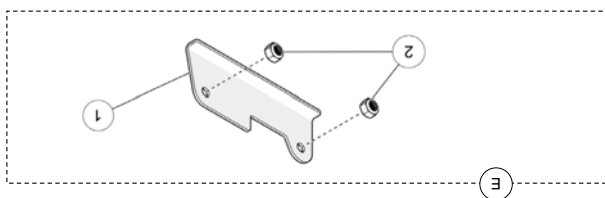


Fig. 3

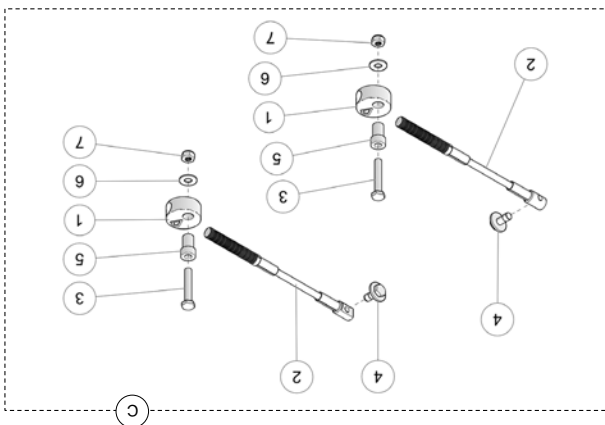
ITEM	# PIÈCE	DESCRIPTION	QTE
E	1081-05-1500	ENSEMBLE DE RENFORT	1
1	1081-05-0100	RENFORT SUSPENSION	1
2	1071-10-0001	ÉCROU NYLON - NN, M10-1.5, ZP, 8, DIN982	2



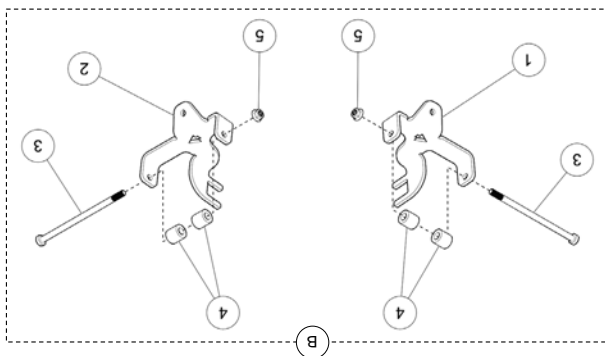
ITEM	# PIÈCE	DESCRIPTION	QTE
D	1072-10-3001	ÉCROU DE ROUE - FSN, M10-1.25, 8, ZP, DIN6923	16



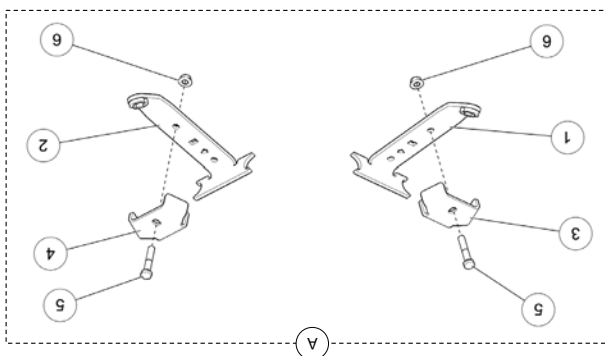
ITEM	# PIÈCE	DESCRIPTION	QTE
C	1003-77-3500	CÂBLE LIMITEUR DE CONDUITE ASSEMBLÉ	1
1	--	RONDELLE FILETÉE	2
2	1003-77-3560	CÂBLE ASSEMBLÉ	2
3	1033-10-0060	BOULON - HCS, M10-1.5X60, 8.8, ZP, DIN931	2
4	1033-10-2026	BOULON-HCSW, M10-1.5X25.8,8,ZP,TL,DIN933	2
5	1050-00-0200	ESPACEUR	2
6	1060-00-0004	RONDELLE - W, 7/16X1.0X0.072, 8, ZP, USS	2
7	1071-10-0001	ÉCROU NYLON - NN, M10-1.5, ZP, 8, DIN982	2



ITEM	# PIÈCE	DESCRIPTION	QTE
B	1005-05-0720	ENSEMBLE ANCRAGE ARRIÈRE	1
1	--	ANCRAGE ANTI-ROTATION ARRIÈRE - GA	1
2	--	ANCRAGE ANTI-ROTATION ARRIÈRE - DR	1
3	1033-10-0200	BOULON - HCS, M10-1.5X200, 8.8, ZP, DIN931	2
4	1050-00-0019	ESPACEUR - 50 ID X 1.00 OD X 1.00 L	4
5	1074-10-0001	ÉCR NYLON - FNN, M10-1.5, ZP, 8, DIN6926	2



ITEM	# PIÈCE	DESCRIPTION	QTE
A	1004-05-0580	ENSEMBLE ANCRAGE AVANT	1
1	--	ANCRAGE ANTI-ROTATION AVANT - GA	1
2	--	ANCRAGE ANTI-ROTATION AVANT - DR	1
3	--	COUVERT ANCRAGE - GA	1
4	--	COUVERT ANCRAGE - DR	1
5	1033-10-0055	BOULON-HCS, M10-1.5X55, 8.8, ZP, DIN931	2
6	1074-10-0001	ÉCROU NYLON - FNN, M10-1.5, 8, ZP, DIN6926	2



ATTENTION: Avant de débuter l'installation, assurez-vous d'avoir reçu toutes les composantes incluses dans les listes de pièces de cet ensemble.

LISTES DE PIÈCES

Bienvenue dans la famille Camso

Merci d'avoir choisi nos systèmes de chenilles pour faire de ton véhicule une bête féroce. Nos produits sont conçus pour t'amener plus loin et te permettre de travailler plus fort sur tous les terrains, que tu sois à la chasse, à la pêche sur glace, en train d'entretenir ton terrain, en route vers ton chalet isolé ou à la quête d'une aventure en plein air. Peu importe où et dans quelles conditions, tu pourras t'y rendre et revenir en toute sécurité avec tes systèmes de chenilles Camso.

Prêt à bénéficier d'une traction, d'une mobilité, d'une stabilité et d'une flottaison optimales? Allez, fais tes traces!

REMARQUES / CONTRAINTES

Un système de chenilles peut générer des contraintes lors de l'installation ou de l'utilisation. Il y a possibilité de légère interférence ou de modification mineure à apporter au véhicule.

Pour ce modèle de véhicule, le design occasionne les contraintes et recommandations suivantes:

- Légères interférences et modifications mineures possibles.

VALIDATION DES RATIOS DES SYSTÈMES AVANT INSTALLATION.

Scanner le code QR à droite pour accéder au *guide d'application* et valider les nombres de dents avant et arrière des barbotins associés au modèle de votre véhicule.



SYMBOLES ET MOTS INDICATEURS

On utilise, dans ce document, les symboles et mots indicateurs suivants afin de souligner des renseignements en particulier:

AVERTISSEMENT

Indique une situation possiblement dangereuse qui, si on ne parvient pas à l'éviter, pourrait entraîner la mort ou des blessures graves.

ATTENTION: Indique une situation possiblement dangereuse qui, si on ne parvient pas à l'éviter, pourrait entraîner des dommages au véhicule et aux systèmes de chenille.

NOTE: Apporte des renseignements supplémentaires.

AVERTISSEMENTS

AVERTISSEMENT

Installer le système chez un concessionnaire Camso autorisé. Voir la section *Garantie* du *Manuel de l'utilisateur*.

AVERTISSEMENT

Porter des gants et des verres protecteurs.

AVERTISSEMENT

Immobiliser le véhicule sur une surface plane et au niveau, mettre la transmission à **Park** et couper le moteur.

AVERTISSEMENT

Soulever et installer le véhicule sur des supports (ou dispositif de levage) sécuritaires.

AVERTISSEMENT

S'assurer que le véhicule est bien immobile et qu'on peut y travailler en sécurité.

AVERTISSEMENT

Attention aux surfaces chaudes qui pourraient causer des brûlures.


AVERTISSEMENT

Pièces mobiles - Garder les mains ou les doigts loin des pièces en mouvement afin d'éviter les risques de blessures graves ou de mort.

AVERTISSEMENT

Ne jamais exposer des parties du corps sous le véhicule à moins que celui-ci ne repose sur des supports appropriés. Si le véhicule devait verser ou se déplacer, cela pourrait occasionner des blessures graves. Ne pas utiliser un dispositif de levage comme support permanent.

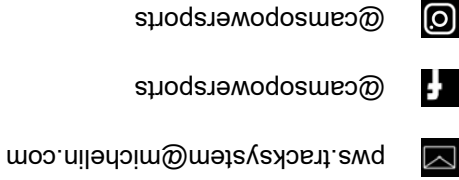


AVERTISSEMENT  Veuillez lire attentivement ce document en entier, ainsi que le manuel de l'utilisateur avant d'assembler, d'installer et d'utiliser le système de traction.

ATTENTION: La durée de vie des composantes d'un système de traction Camso est directement liée à la manière d'utiliser le système. La conduite sportive, les changements de direction brusques ou les virages rapides et à répétition (plus spécifiquement aux véhicules à direction assistée) ne sont pas recommandés. Ces types de conduite augmentent les risques de déraillement des chenilles et peuvent causer une usure prématurée et des bris majeurs au système qui ne seront pas couverts par la garantie.

SOUTIEN TECHNIQUE

En cas de problème, contacter d'abord votre concessionnaire ou distributeur. Advenant qu'il ne soit pas en mesure de résoudre un problème lié au système, vous pouvez communiquer avec l'équipe de soutien de Camso du lundi au vendredi.



Camso Inc.
4162, rue Burrill - Local A
Shawinigan, QC G9N 0C3
CANADA

POLARIS
5000-05-0864-MAN



POWERSPORTS POWERSPORTS POWERSPORTS POWERSPORTS



CAMSO TRACK SYSTEMS FOR ALL-TERRAIN / SIDE-BY-SIDE VEHICLES
SYSTÈMES DE CHENILLES CAMSO POUR VÉHICULES TOUT-TERRAIN ET CÔTE À CÔTE

INSTALLATION GUIDELINES GUIDE D'INSTALLATION