

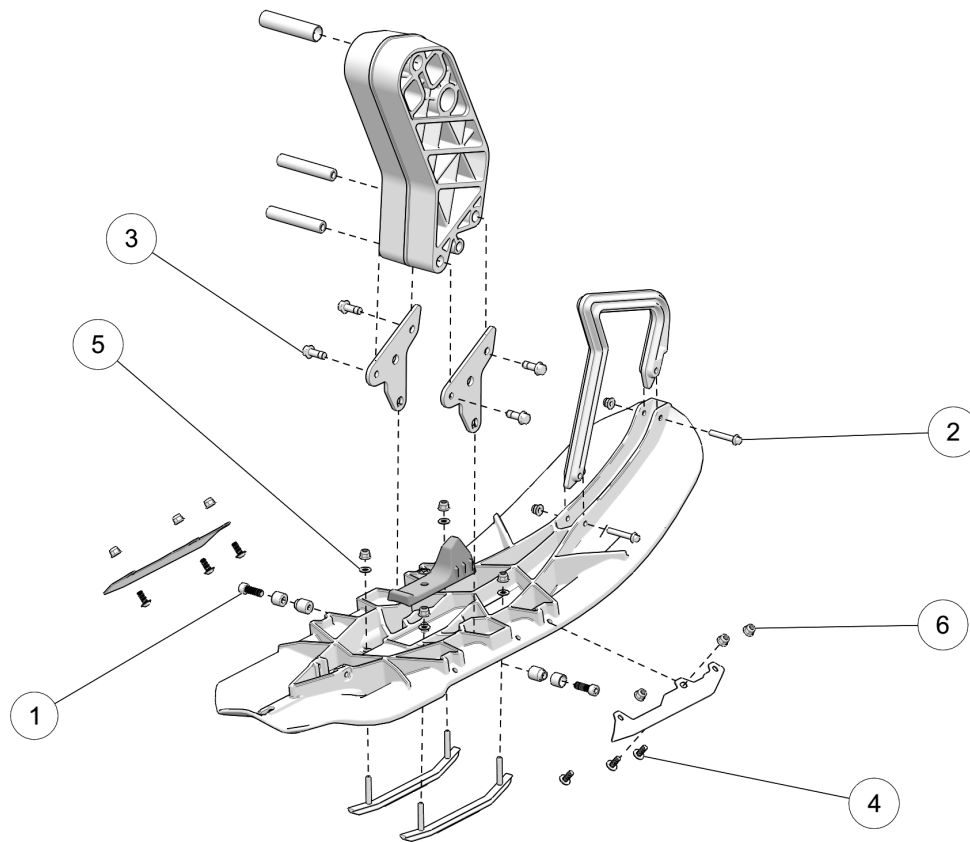
CAMSO DTS 129

Système de conversion à chenilles
pour moto hors route

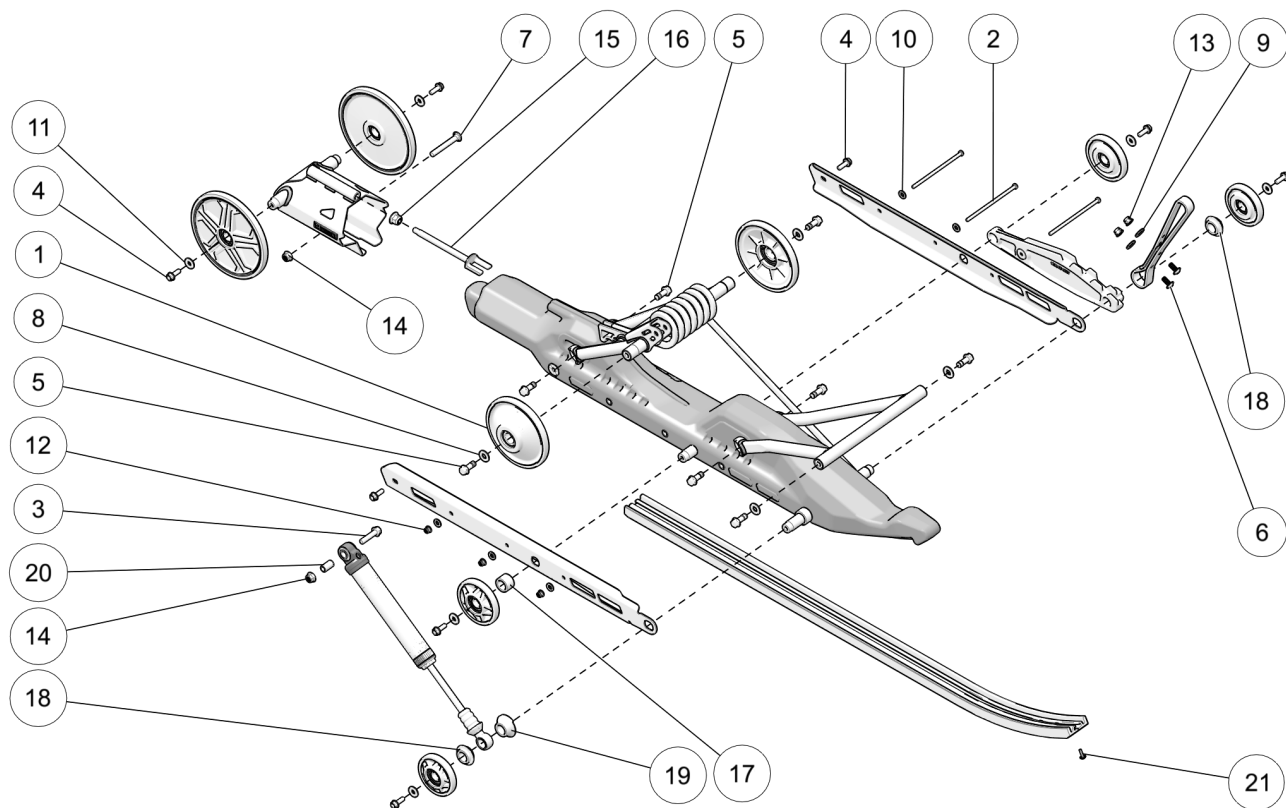
VERSION A

LISTE DE PIÈCES 2020

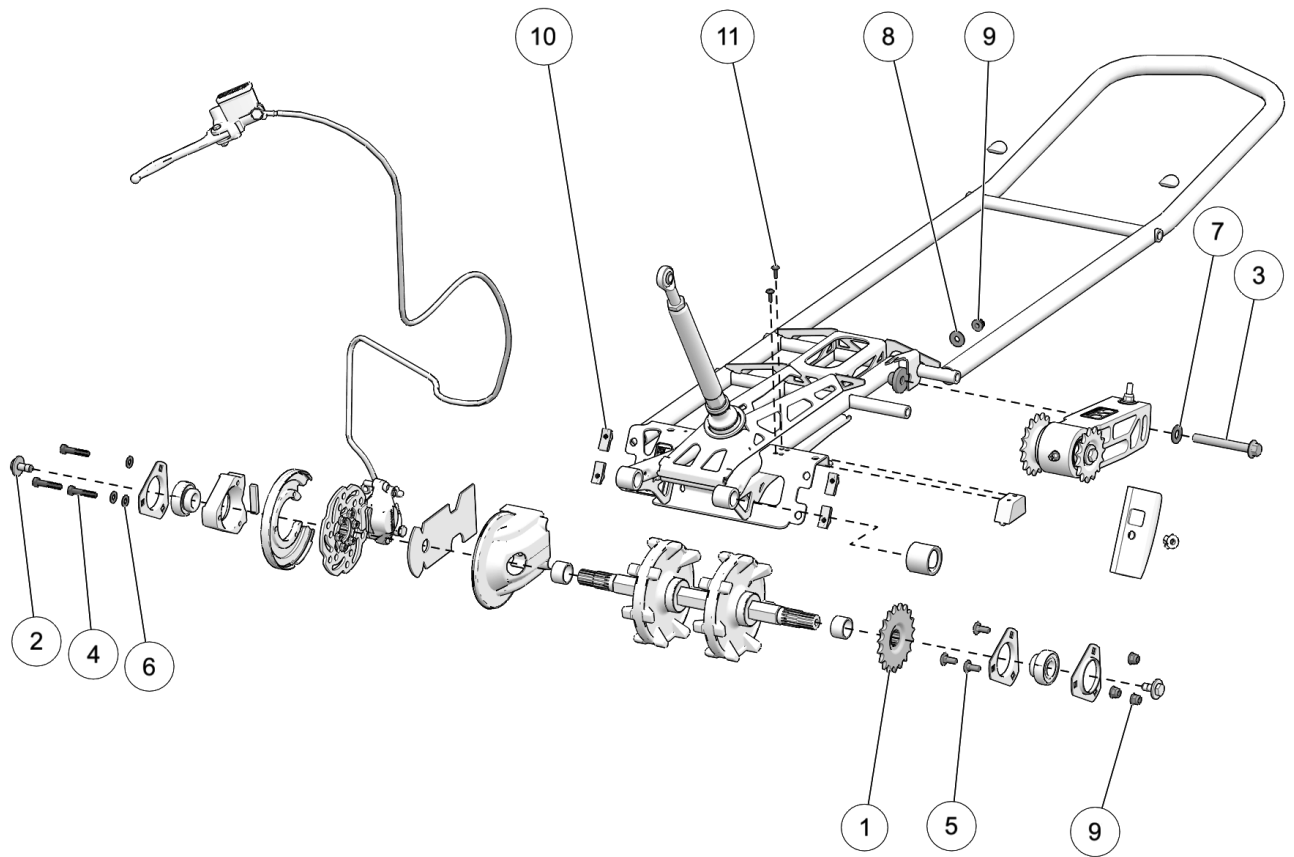




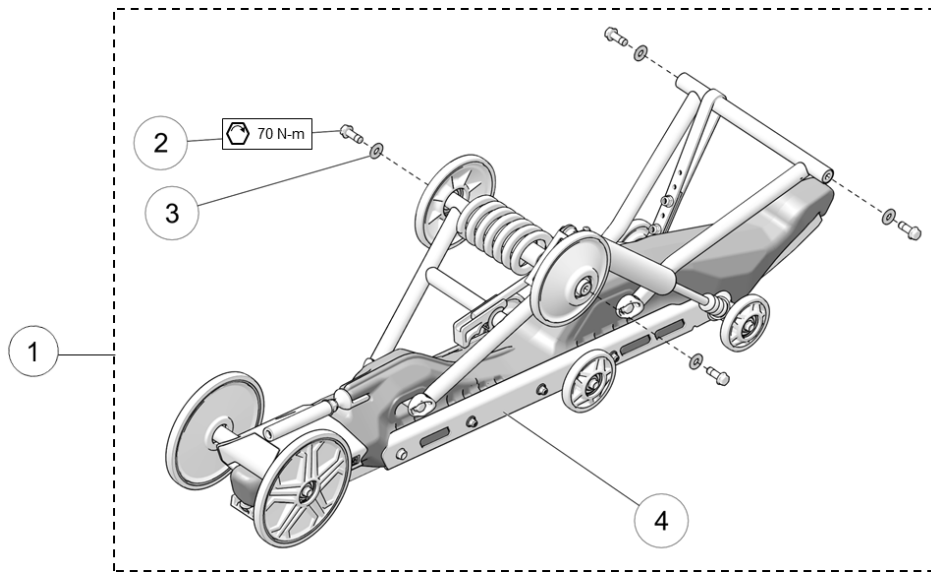
ITEM	PART #	DESCRIPTION	QTY
CAMSO DTS 129 MY2020 :: FRONT SKI ASSEMBLY			
1	1032-10-H030	HSCS, M10-1.5X30, 12.9, ZP, TL, DIN 912	2
2	1035-08-C050	HFCS, M8-1.25X50, 10.9, ZP, IFI536	2
3	1036-10-4030	HFSCS, M10-1.5X30, 10.9, ZP, TL, DIN 6921	4
4	1038-08-K020	HSFBS, M8-1.25X20, SS, 18-8	6
5	1060-00-0001	W, 11/16X11/32X0.060, 8, ZP, SAE	4
6	1074-08-0001	FNN, M8-1.25, 8, ZP, DIN6926	12



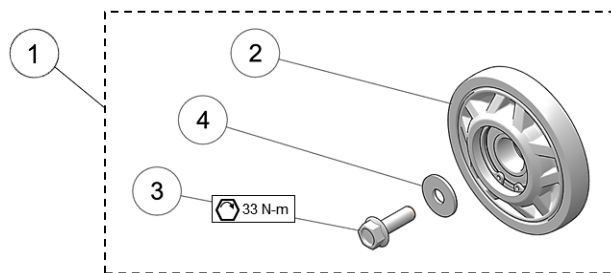
ITEM	PART #	DESCRIPTION	QTY
CAMSO DTS 129 MY2020 :: REAR SUSPENSION			
1	1016-00-9162	IDLER WHEEL 162MM / ROUE INTERMÉDIAIRE 162MM	2
2	1033-06-0150	HCS, M6-1.0X150, 8.8, ZP, ISO4014	3
3	1035-10-1045	HFCS, M10-1.5X45, 10.9, ZP, DIN6921	1
4	1036-08-0025	HFSCS, M8-1.25X25, 8.8, ZP, DIN6921	8
5	1036-10-4030	HFSCS, M10-1.5X30, 10.9, ZP, TL, DIN6921	8
6	1038-08-K020	HSFBS, M8-1.25X20, SS, 18-8	2
7	1046-10-0080	CB, M10-1.5X80, 8.8, ZP, DIN603	1
8	1060-00-0004	W, 7/16X1.0X0.072, 8, ZP, USS	4
9	1060-00-0516	W, 3/8X7/8X0.09, 8, ZP, USS	2
10	1060-06-0001	W, 6.4X20X1.5, ZP, DIN9021	6
11	1060-08-0001	W, 24X8.4X2, ZP, DIN9021	6
12	1074-06-0001	FNN, M6-1, 8, ZP, DIN6926	3
13	1074-08-0001	FNN, M8-1.5, 8, ZP, DIN6926	2
14	1074-10-0001	FNN, M10-1.5, 8, ZP, DIN6926	2
15	1074-12-0001	FNN, M12-1.75, 8, ZP, DIN6926	1
16	1082-00-9032	TENSIONER ROD ASS'Y / TIGE TENSIONNEUR ASSEMBLÉ	1
17	1087-00-9023	WHEEL SPACER / ESPACEUR ROUE	1
18	1087-00-9040	SHOCK BUSHING / DOUILLE AMORTISSEUR	2
19	1087-00-9046	SHOCK BUSHING / DOUILLE AMORTISSEUR	1
20	1089-00-9026	SHOCK, SLEEVE / AMORTISSEUR, DOUILLE	1
21	1430-06-X016	RWHS, 6X16, TX, ZP	1



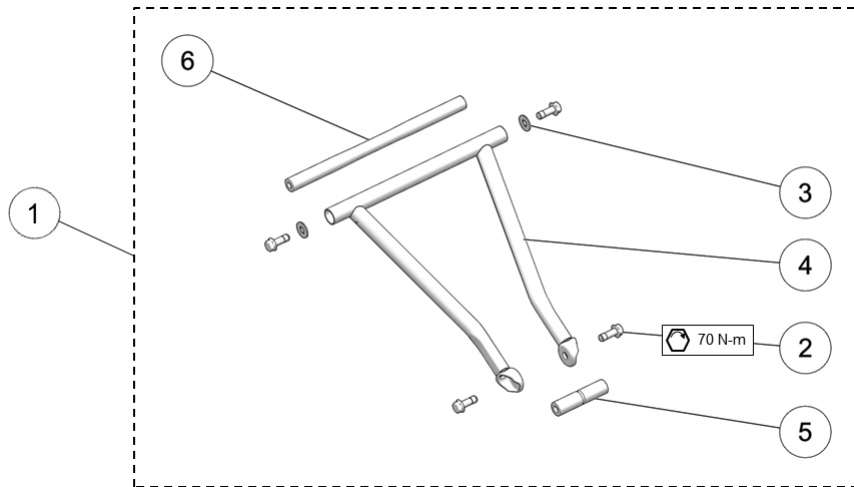
ITEM	PART #	DESCRIPTION	QTY
CAMSO DTS 129 MY2020 :: FRAME ASSEMBLY			
1	1009-00-9019	SPROCKET, 520, 19 TEETH / BARBOTIN, 520, 19 DENTS	1
2	1033-10-2026	HCSW, M10-1.5X25, 8.8, ZP, TL, DIN933	2
3	1035-12-1100	HFCS, M12-1.75X100, 10.9, ZP, DIN6921	1
4	1033-08-1040	HCS, M8-1.25X40, 10.9, ZP, DIN931	3
5	1046-08-0020	CB, M8-1.25X20, 8.8, ZP	3
6	1060-00-0001	W, 11/16 X 11/32 X 0.060, 8, ZP, SAE	3
7	1060-00-0006	W, 1/2X1.06X.095, 8, ZP, SAE	1
8	1060-08-0001	W, 24X8.4X2, ZP, DIN9021	1
9	1074-08-0001	FNN, M8-1.25, 8, ZP, DIN6926	4
10	1178-08-0001	CLN, M8-1.25, BP	4
11	1430-06-X016	RWHS, 6X16, TX, ZP	2



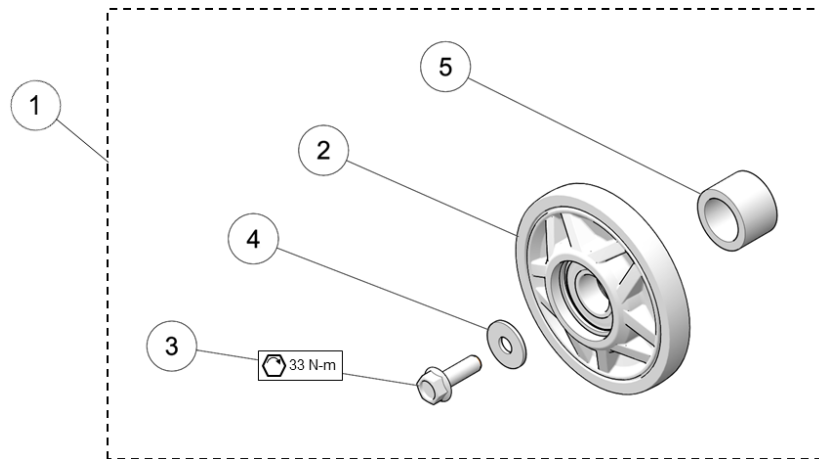
ITEM	PART #	DESCRIPTION	QTY
		CAMSO DTS 129 MY2020 :: REAR SUSPENSION ASSEMBLY	
1	7087-00-9124	S-KIT, SUSPENSION ASSY/ SUSPENSION ASSEMBLÉE	1
2	1036-10-4030	HFSCS, M10-1.5X30, 10.9, ZP, TL, DIN 6921	4
3	1060-00-0004	W, 7/16X1.0X0.072, 8, ZP, USS	4
4	--	REAR SUSPENSION, SUB ASSY / SOUS-ENS, SUSP. ARRIÈRE	1



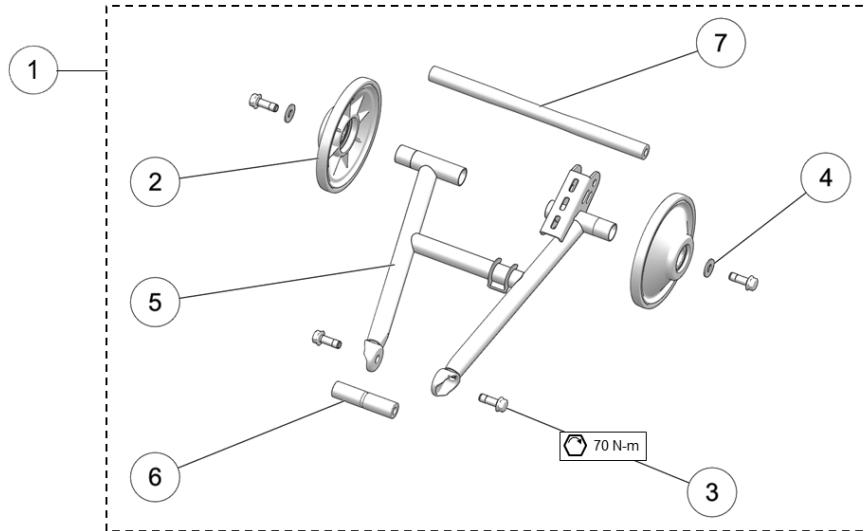
ITEM	PART #	DESCRIPTION	QTY
		CAMSO DTS 129 MY2020 :: 94MM WHEEL ASSEMBLY	
1	7016-00-9094	S-KIT, WHEEL 94MM / ROUE 94MM	1
2	--	WHEEL 94MM / ROUE 94MM	1
3	1036-08-0025	HFSCS, M8-1.25X25, 8.8, ZP, DIN6921	1
4	1060-08-0001	W, 24X8.4X2, ZP, DIN9021	1



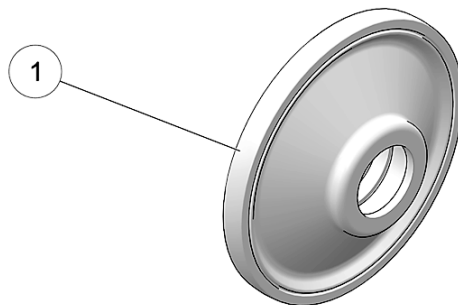
ITEM	PART #	DESCRIPTION	QTY
CAMSO DTS 129 MY2020 :: FRONT SUSPENSION ARM			
1	7087-00-9360	S-KIT, FRONT SUSPENSION ARM / BRAS SUSPENSION AVANT	1
2	1036-10-4030	HFSCS, M10-1.5X30, 10.9, ZP, TL, DIN 6921	4
3	1060-00-0004	W, 7/16X1.0X0.072, 8, ZP, USS	2
4	--	FRONT SUSPENSION A-ARM / BRAS SUSPENSION AVANT	1
5	4000-00-9091	A-ARM SHAFT / ARBRE, BRAS SUSPENSION	1
6	4000-00-9327	SUSPENSION A-ARM, SHAFT / BRAS SUSPENSION, ARBRE	1



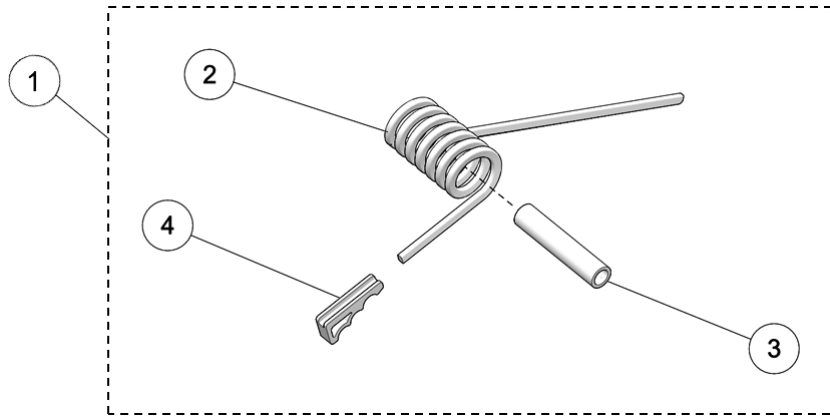
ITEM	PART #	DESCRIPTION	QTY
CAMSO DTS 129 MY2020 :: 104MM WHEEL ASSEMBLY			
1	7016-00-9104	S-KIT, WHEEL 104MM / ROUE 104MM	1
2	--	WHEEL 104MM / ROUE 104MM	1
3	1036-08-0025	HFSCS, M8-1.25X25, 8.8, ZP, DIN6921	1
4	1060-08-0001	W, 24X8.4X2, ZP, DIN9021	1
5	1087-00-9023	WHEEL SPACER / ESPACEUR DE ROUE	1



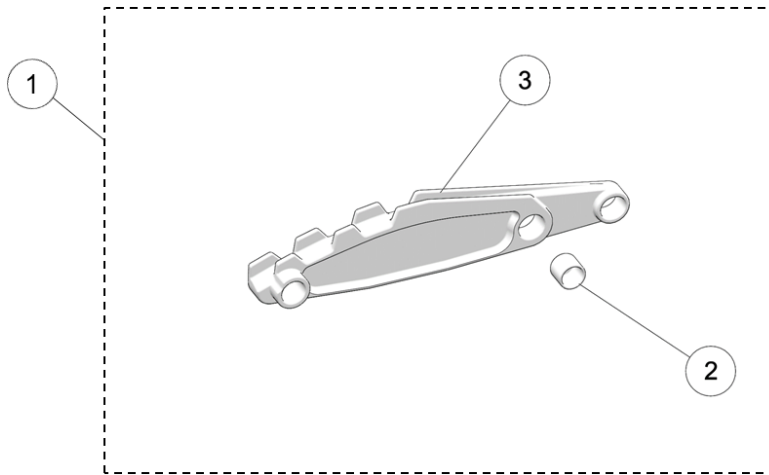
ITEM	PART #	DESCRIPTION	QTY
CAMSO DTS 129 MY2020 :: REAR SUSPENSION ARM			
1	7087-00-9295	S-KIT, REAR SUSPENSION ARM / BRAS SUSPENSION ARRIERE	1
2	1016-00-9162	IDLER WHEEL, 162MM / ROUE INTERMÉDIAIRE, 162MM	2
3	1036-10-4030	HFSCS, M10-1.5X30, 10.9, ZP, TL, DIN 6921	4
4	1060-00-0004	W, 7/16X1.0X0.072, 8, ZP, USS	2
5	--	REAR SUSPENSION A-ARM / BRAS SUSPENSION ARRIÈRE	1
6	4000-00-9091	A-ARM SHAFT / ARBRE, BRAS SUSPENSION	1
7	4000-00-9327	SUSPENSION A-ARM, SHAFT / BRAS SUSPENSION, ARBRE	1



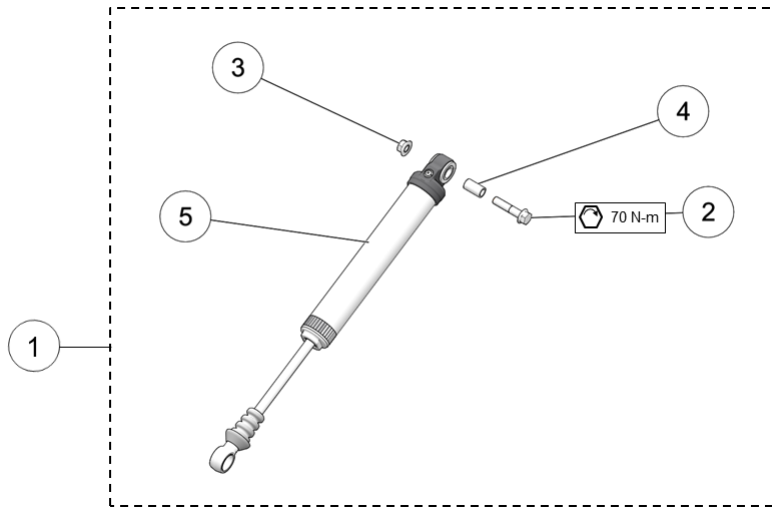
ITEM	PART #	DESCRIPTION	QTY
CAMSO DTS 129 MY2020 :: 162MM IDLER WHEEL			
1	1016-00-9162	IDLER WHEEL 162MM / ROUE INTERMÉDIAIRE 162MM	1



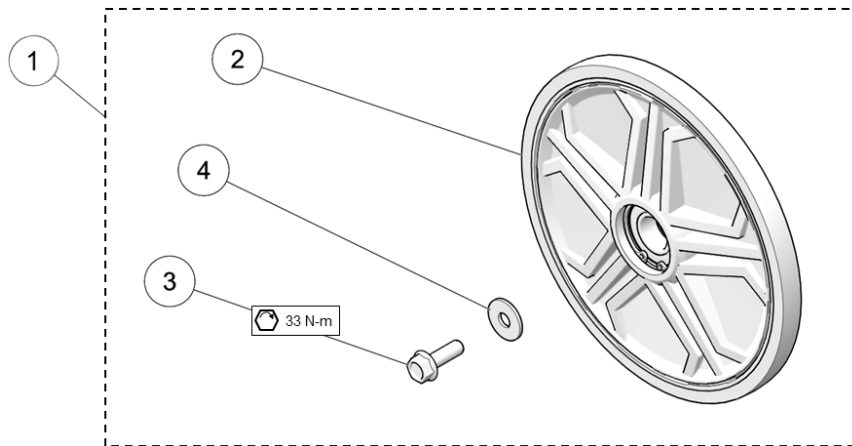
ITEM	PART #	DESCRIPTION	QTY
CAMSO DTS 129 MY2020 :: TORSION SPRING			
1	7080-00-9018	S-KIT, TORSION SPRING / RESSORT DE TORSION	1
2	--	TORSION SPRING - 100 DEG. / RESSORT DE TORSION - 100 DEG.	1
3	1087-00-9154	SLEEVE / MANCHON	1
4	1092-00-9033	SPRING CAM / CAME, RESSORT	1



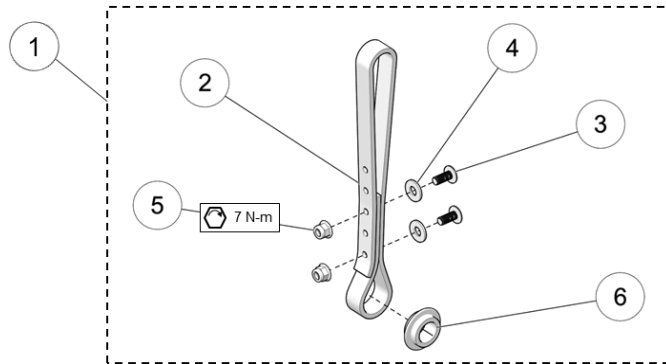
ITEM	PART #	DESCRIPTION	QTY
CAMSO DTS 129 MY2020 :: RISING RATE CAM			
1	7092-00-9037	S-KIT, RISING RATE CAM / CAME PROGRESSIVE	1
2	--	CAM BUSHING / CAME, DOUILLE	1
3	--	SPRING CAM / CAME, RESSORT	1



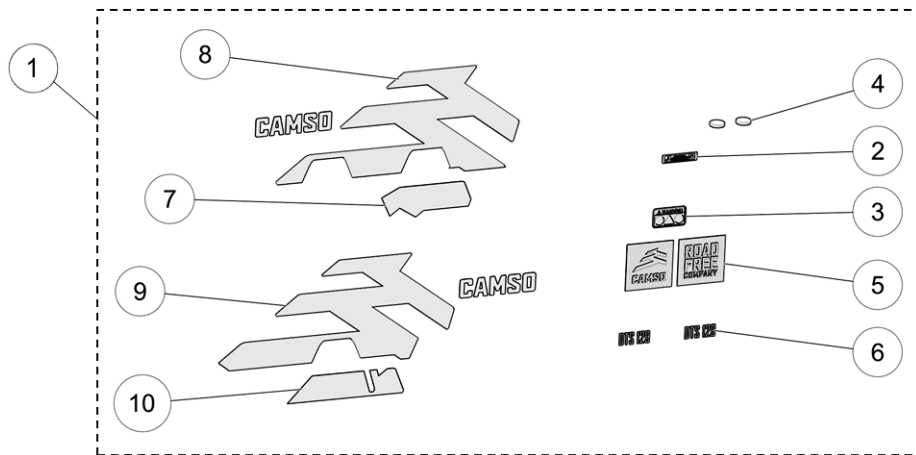
ITEM	PART #	DESCRIPTION	QTY
CAMSO DTS 129 MY2020 :: SHOCK ABSORBER			
1	7089-00-9601	S-KIT, SHOCK ABSORBER / AMORTISSEUR	1
2	1035-10-1045	HFCS, M10-1.5X45, 10.9, ZP, DIN6921	1
3	1074-10-0001	FNN, M10-1.5, 8, ZP, DIN6926	1
4	1089-00-9026	SHOCK, SLEEVE / AMORTISSEUR, DOUILLE	1
5	--	SHOCK ABSORBER / AMORTISSEUR SUSPENSION	1



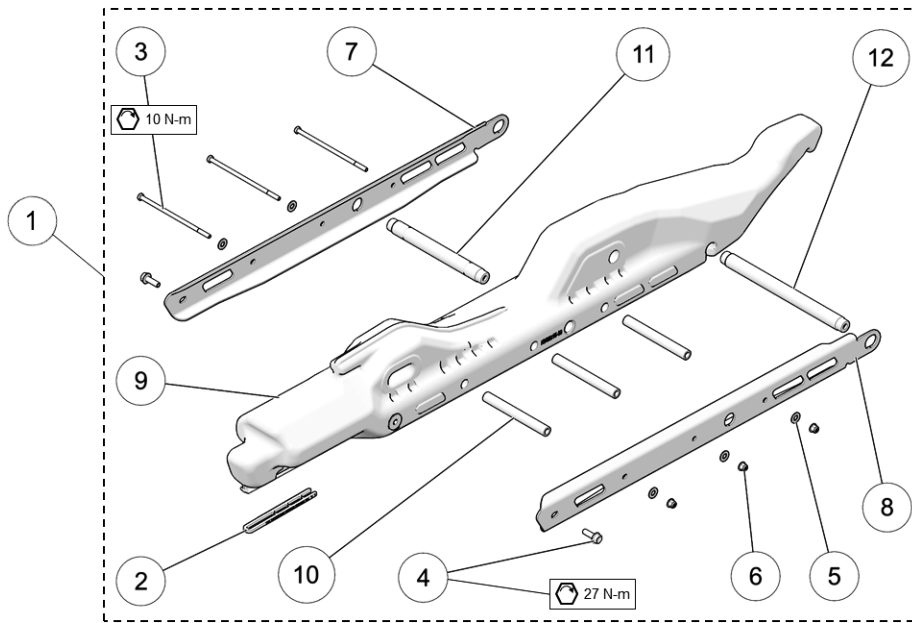
ITEM	PART #	DESCRIPTION	QTY
CAMSO DTS 129 MY2020 :: 200MM WHEEL ASSEMBLY			
1	7016-00-9200	S-KIT, WHEEL 200MM / ROUE 200MM	1
2	--	WHEEL 200MM / ROUE 200MM	1
3	1036-08-0025	HFSCS, M8-1.25X25, 8.8, ZP, DIN6921	1
4	1060-08-0001	W, 24X8.4X2, ZP, DIN9021	1



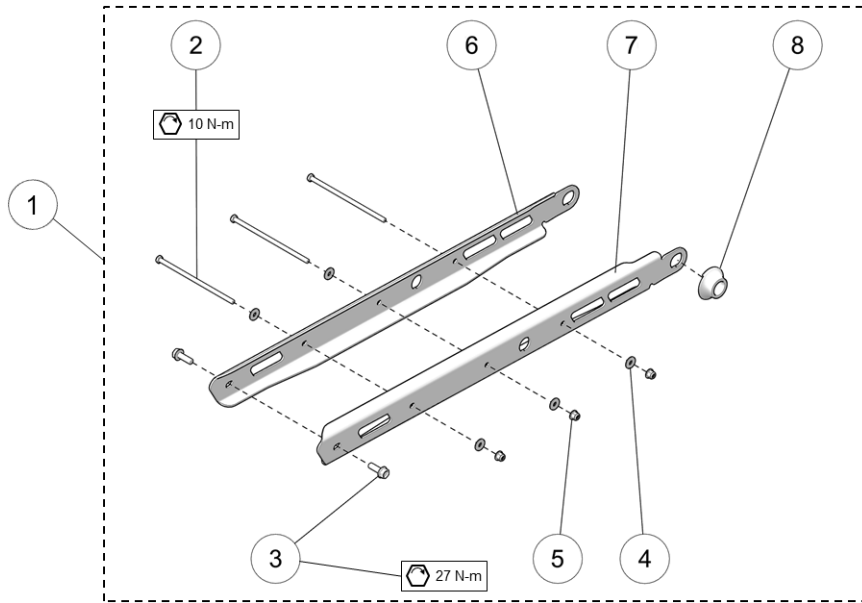
ITEM	PART #	DESCRIPTION	QTY
CAMSO DTS 129 MY2020 :: SUSPENSION LIMITER STRAP			
1	7003-00-9003	S-KIT, SUSPENSION LIMITER STRAP / COURROIE D'ARRÊT, SUSP.	1
2	--	STRAP / COURROIE	1
3	1038-08-K020	HSFBS, M8-1.25X20, SS, 18-8	2
4	1060-00-0516	W, 3/8X7/8X0.09, 8, ZP, USS	2
5	1074-08-0001	FNN, M8-1.25, 8, ZP, DIN6926	2
6	1087-00-9040	SHOCK BUSHING / DOUILLE AMORTISSEUR	1



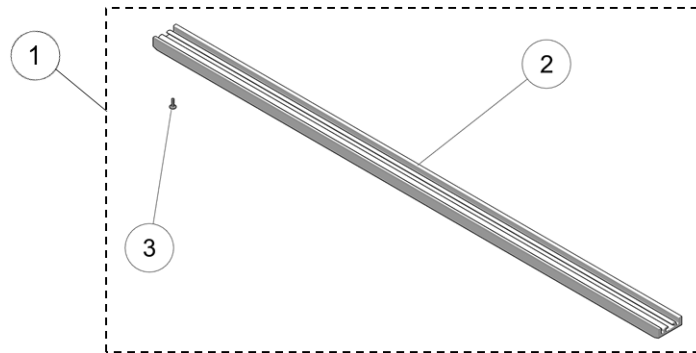
ITEM	PART #	DESCRIPTION	QTY
CAMSO DTS 129 MY2020 :: STICKER KIT			
1	7083-00-9101	S-KIT, STICKER DTS / COLLANT DTS	1
2	--	STICKER - LOOSEN PRIOR / DÉCALQUE DESSERRER AVANT	1
3	--	STICKER WARNING / AUTOCOLLANT AVERTISSEMENT	1
4	--	STICKER DAMPER - SKIN COVER / DÉCALQUE AMORTISSEUR	2
5	--	STICKER, CAMSO ROAD FREE / DÉCALQUE CAMSO ROAD FREE	1
6	--	STICKER, DTS 129 / COLLANT, DTS 129	1
7	--	STICKER, LOGO EXT. PANEL-LH / COLLANT, LOGO EXT PANNEAU GA	1
8	--	STICKER, CAMSO LOGO - LH / COLLANT, CAMSO LOGO - GA	1
9	--	STICKER, CAMSO LOGO - RH / COLLANT, CAMSO LOGO - DR	1
10	--	STICKER, LOGO EXT. PANEL-RH / COLLANT, LOGO EXT PANNEAU DR	1



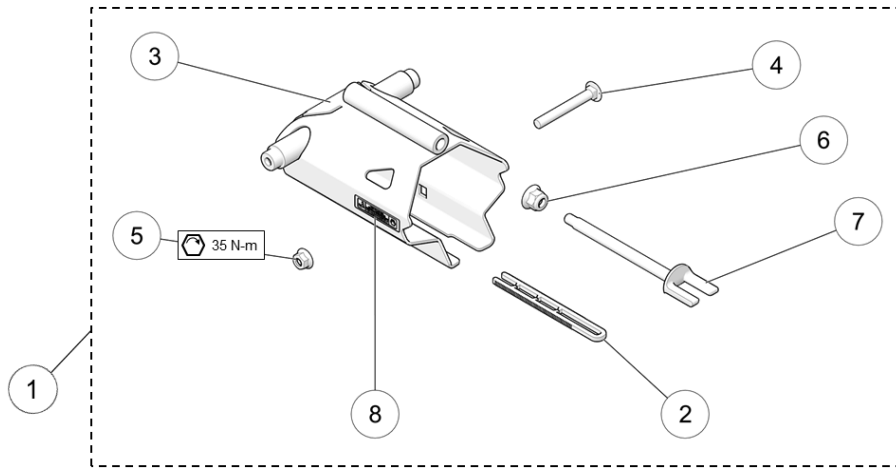
ITEM	PART #	DESCRIPTION	QTY
CAMSO DTS 129 MY2020 :: SUSPENSION RAIL			
1	7087-00-9180	S-KIT, SUSPENSION RAIL ASSY / RAIL SUSPENSION ASS.	1
2	1014-00-9007	TENSIONER LOCK / VERROU DE TENDEUR	1
3	1033-06-0150	HCS, M6-1.0X150, 8.8, ZP, ISO4014	3
4	1036-08-0025	HFSCS, M8-1.25X25, 8.8, ZP, DIN6921	2
5	1060-06-0001	W, 6.4X20X1.5, ZP, DIN9021	5
6	1074-06-0001	FNN, M6-1, 8, ZP, DIN6926	3
7	--	SUSPENSION, RAIL STIFFENER - LH / RENFORT RAIL - GA	1
8	--	SUSPENSION, RAIL STIFFENER - RH / RENFORT RAIL - DR	1
9	--	SUSPENSION, RAIL & RIVET NUTS / RAIL & ÉCROUS À SERTIR	1
10	--	BASE SHAFT / ARBRE BASE	3
11	4000-00-9207	IDLER SHORT SHAFT / ARBRE RENVOI COURT	1
12	4000-00-9266	IDLER LONG SHAFT / ARBRE RENVOI LONG	1



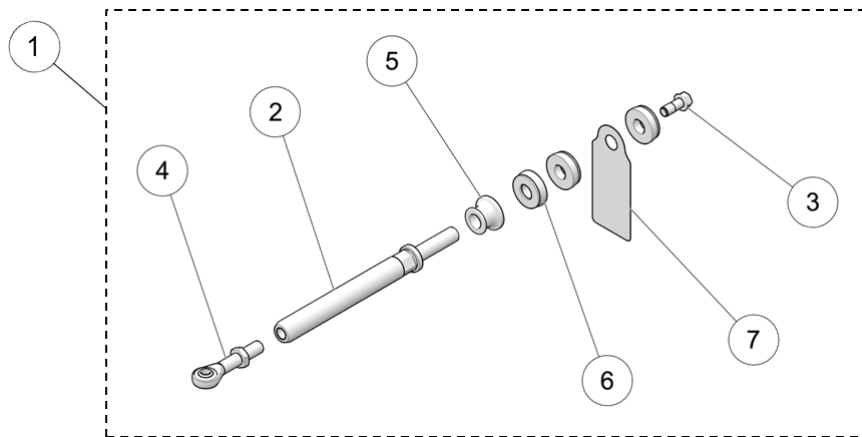
ITEM	PART #	DESCRIPTION	QTY
CAMSO DTS 129 MY2020 :: RAIL STIFFENER KIT			
1	7087-00-9012	S-KIT, RAIL STIFFENER / S-KIT, RENFORT RAIL	1
2	1033-06-0150	HCS, M6-1.0X150, 8.8, ZP, ISO4014	3
3	1036-08-0025	HFSCS, M8-1.25X25, 8.8, ZP, DIN6921	2
4	1060-06-0001	W, 6.4X20X1.5, ZP, DIN9021	5
5	1074-06-0001	FNN, M6-1, 8, ZP, DIN6926	3
6	--	SUSPENSION, RAIL STIFFENER - LH / RENFORT RAIL - GA	1
7	--	SUSPENSION, RAIL STIFFENER - RH / RENFORT RAIL - DR	1
8	1087-00-9046	SHOCK BUSHING / DOUILLE AMORTISSEUR	1



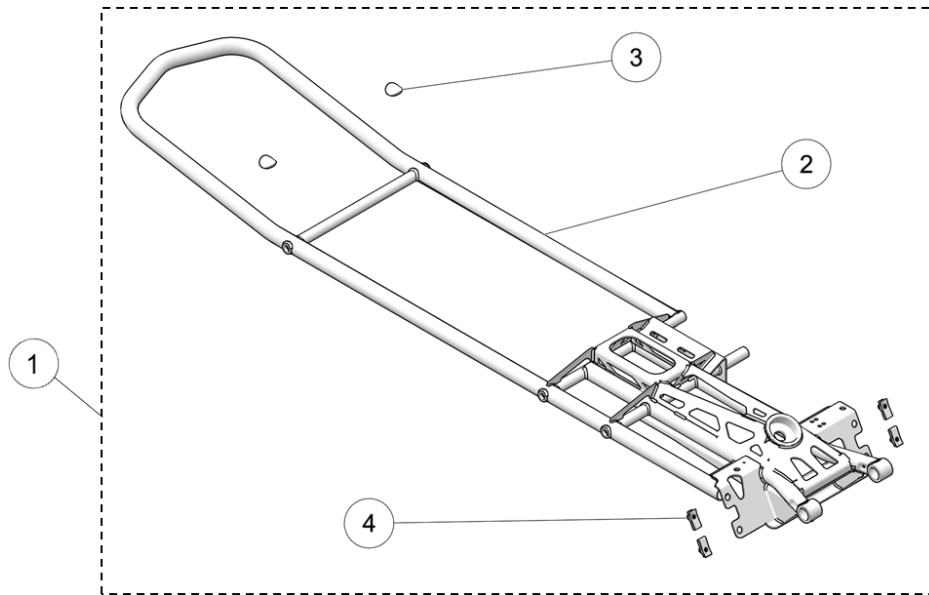
ITEM	PART #	DESCRIPTION	QTY
CAMSO DTS 129 MY2020 :: TRACK SLIDE			
1	7085-00-9321	S-KIT, TRACK SLIDE / S-KIT, GLISSIÈRE CHENILLE	1
2	--	SLIDE, 129 / GLISSIÈRE, 129	1
3	1430-06-X016	RWHS, 6X16, TX, ZP	1



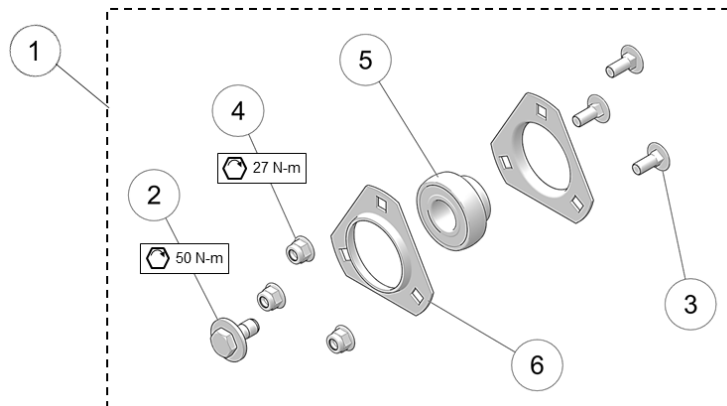
ITEM	PART #	DESCRIPTION	QTY
		CAMSO DTS 129 MY2020 :: TRACK TENSIONER	
1	7014-00-9245	S-KIT, TRACK TENSIONER / TENDEUR DE CHENILLE	1
2	1014-00-9007	TENSIONER LOCK / VERROU DE TENDEUR	1
3	--	TENSIONER, ASSY / TENDEUR, ASSEMBLÉ	1
4	1046-10-0080	CB, M10-1.5X80, 8.8, ZP, DIN603	1
5	1074-10-0001	FNN, M10-1.5, 8, ZP, DIN6926	1
6	1074-12-0001	FNN, M12-1.75, 8, ZP, DIN6926	1
7	1082-00-9032	TENSIONER FORK / TENDEUR, FOURCHETTE	1
8	--	STICKER - LOOSEN PRIOR / DÉCALQUE, DESSERRER AVANT	1



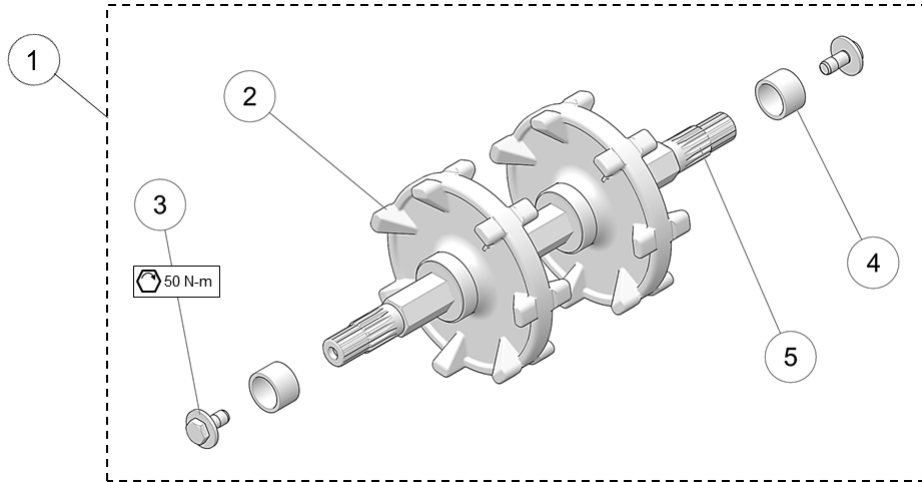
ITEM	PART #	DESCRIPTION	QTY
		CAMSO DTS 129 MY2020 :: ANTI-ROTATION ROD	
1	7001-00-9240	ANTI-ROTATION ROD ASSY / TUBE ANTI-ROTATION ASSEMBLÉ	1
2	--	ANTI-ROTATION ROD / TIGE ANTI-ROTATION	1
3	1036-12-4030	HFSCS, M12-1.75X30, 10.9, ZP, TL, DIN 6921	1
4	1047-16-1065	ROD END, M16-1.5X65, ASSY / TIGE EMBOUT, M16-1.5X65, ASS	1
5	1051-00-9030	SPACER, ANTI-ROTATION / ESPACEUR ANTI-ROTATION	1
6	1093-00-9060	RUBBER DAMPER / AMORTISSEUR DE CAOUTCHOUC	3
7	--	TAG - STRUT ROD DTS 129 / ÉTIQUETTE - BRAS COUPLAGE DTS 129	1



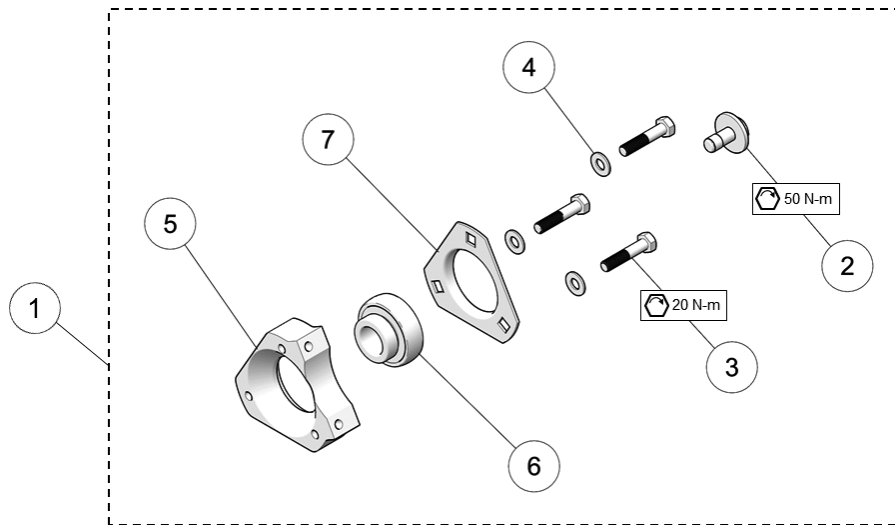
ITEM	PART #	DESCRIPTION	QTY
CAMSO DTS 129 MY2020 :: MAIN FRAME			
1	7018-00-9270	S-KIT, MAIN FRAME / S-KIT, CHÂSSIS	1
2	--	FRAME - DTS / CHÂSSIS - DTS	1
3	--	STICKER DAMPER - SKIN COVER / DÉCALQUE AMORTISSEUR	2
4	1179-08-0001	CLN, M8-1.25, BP	4



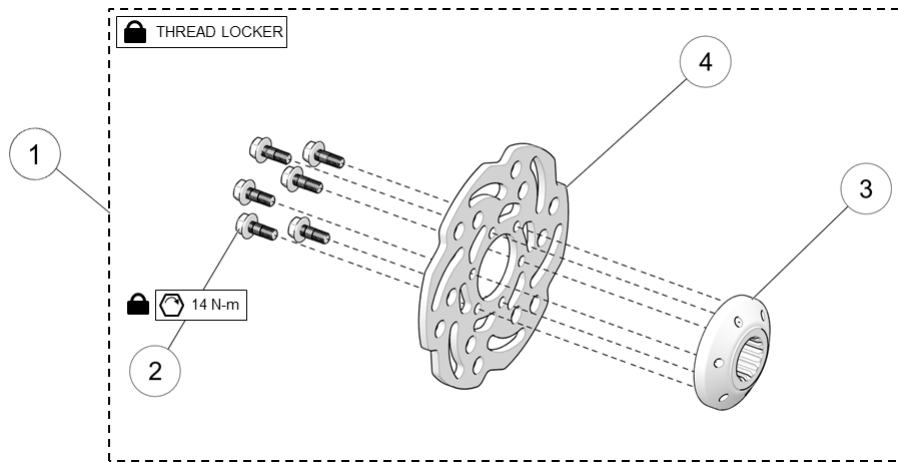
ITEM	PART #	DESCRIPTION	QTY
CAMSO DTS 129 MY2020 :: DRIVE SIDE BEARING ASS'Y			
1	7090-00-9205	S-KIT, BEARING DRIVE SIDE / ROULEMENT, CÔTÉ ENTRAÎNEMENT	1
2	1033-10-2026	HCSW, M10-1.5X25, 8.8, ZP, TL, DIN933	1
3	1046-08-0020	CB, M8-1.25X20, 8.8, ZP	3
4	1074-08-0001	FNN, M8-1.25, 8, ZP, DIN6926	3
5	--	BEARING / ROULEMENT -- AS205-014	1
6	--	BEARING FLANGE / BRIDE DE SOUTIEN ROULEMENT -- PFT205	2



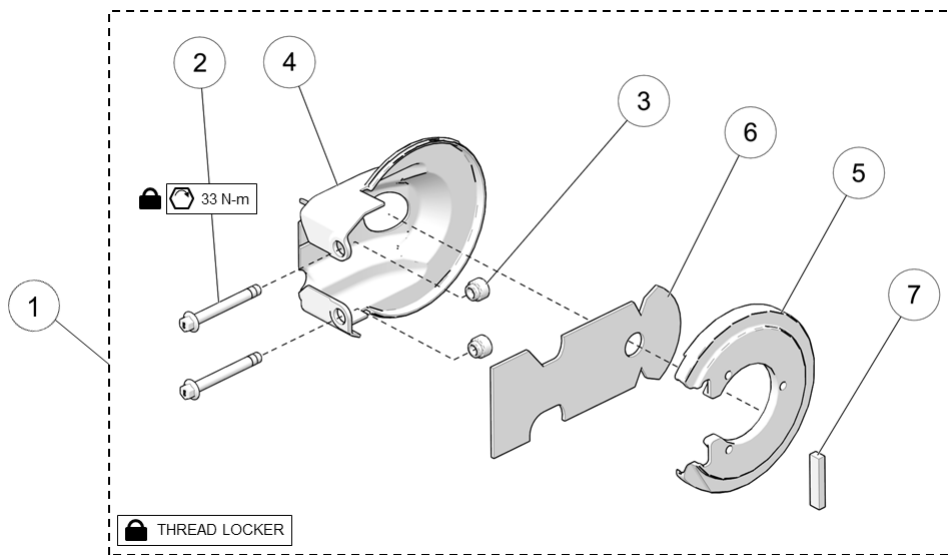
ITEM	PART #	DESCRIPTION	QTY
CAMSO DTS 129 MY2020 :: DRIVE AXLE ASSEMBLY			
1	7000-00-9406	S-KIT, DRIVE AXLE ASSY / ARBRE D'ENTRAÎNEMENT	1
2	1009-00-9310	SPROCKET, 7 TEETH / 2.86 PITCH / BARBOTIN 7 DENTS, PAS 2.86	2
3	1033-10-2026	HCSW, M10-1.5X25, 8.8, ZP, TL, DIN933	2
4	1051-00-9020	SPACER, AXLE SHAFT / ESPACEUR, ARBRE D'ENTRAÎNEMENT	2
5	--	AXLE SHAFT / ARBRE D'ENTRAÎNEMENT	1



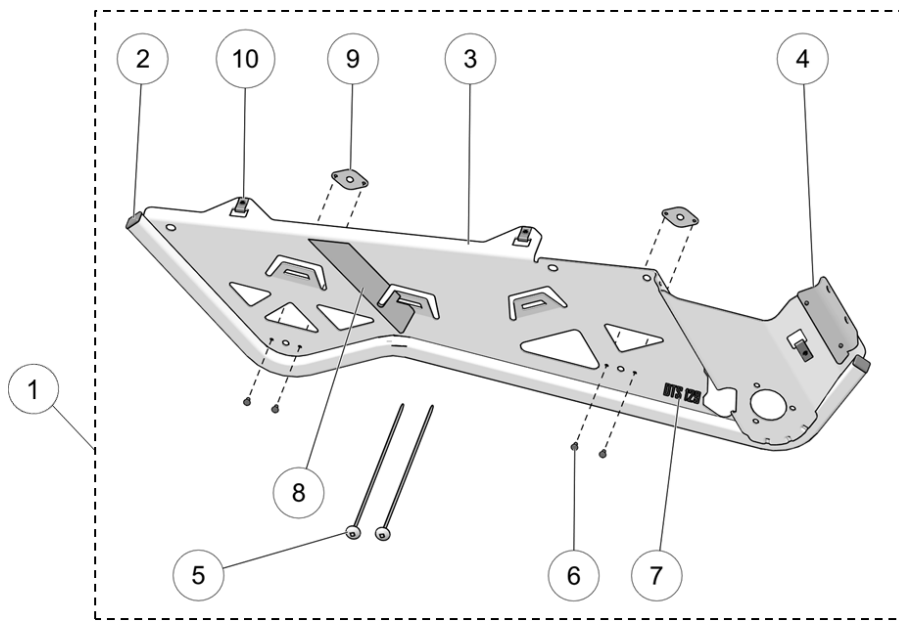
ITEM	PART #	DESCRIPTION	QTY
CAMSO DTS 129 MY2020 :: BRAKE SIDE BEARING ASS'Y			
1	7086-00-9076	S-KIT, BEARING BRAKE SIDE / ROULEMENT, CÔTÉ FREIN	1
2	1033-10-2026	HCSW, M10-1.5X25, 8.8, ZP, TL, DIN933	1
3	1033-08-1040	HCS, M8-1.25X40, 10.9, ZP, DIN931	3
4	1060-00-0001	WASHER / RONDELLE -- 11/16 X 11/32 X 0.060, 8, ZP, SAE	3
5	--	BRAKE CARRIER / SUPPORT ÉTRIER FREIN	1
6	--	BEARING / ROULEMENT -- AS205-014	1
7	--	BEARING FLANGE / BRIDE DE SOUTIEN ROULEMENT -- PFT205	1



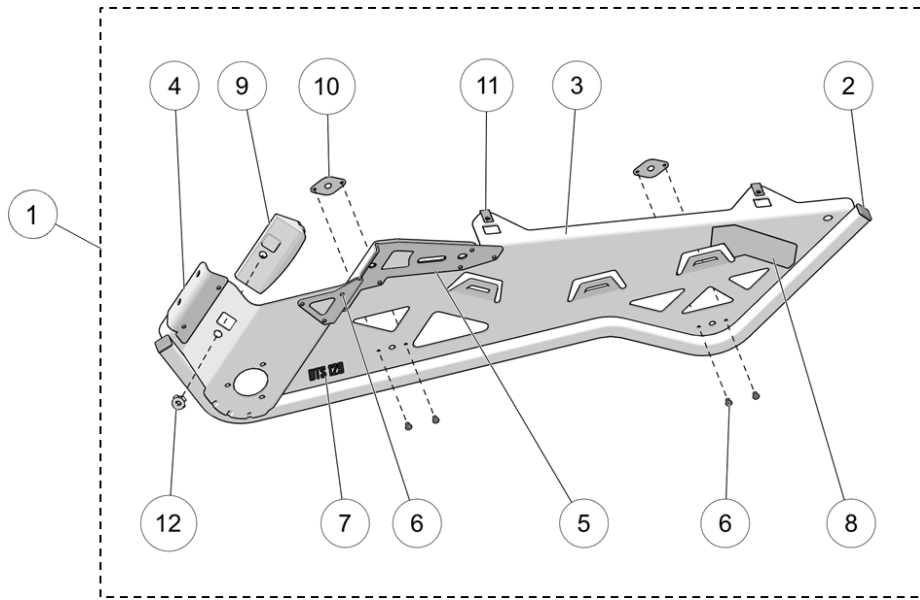
ITEM	PART #	DESCRIPTION	QTY
CAMSO DTS 129 MY2020 :: BRAKE ROTOR ASS'Y			
1	7086-00-9027	S-KIT, BRAKE ROTOR ASSY / ENSEMBLE ROTOR FREIN	1
2	1035-06-A016	HFCS, M6-1X16, 10.9, ZP, TL, DIN6921	6
3	--	BRAKE ROTOR DTS / DISQUE DE FREIN DTS	1
4	--	ROTOR HUB / MOYEU DE ROTOR	1



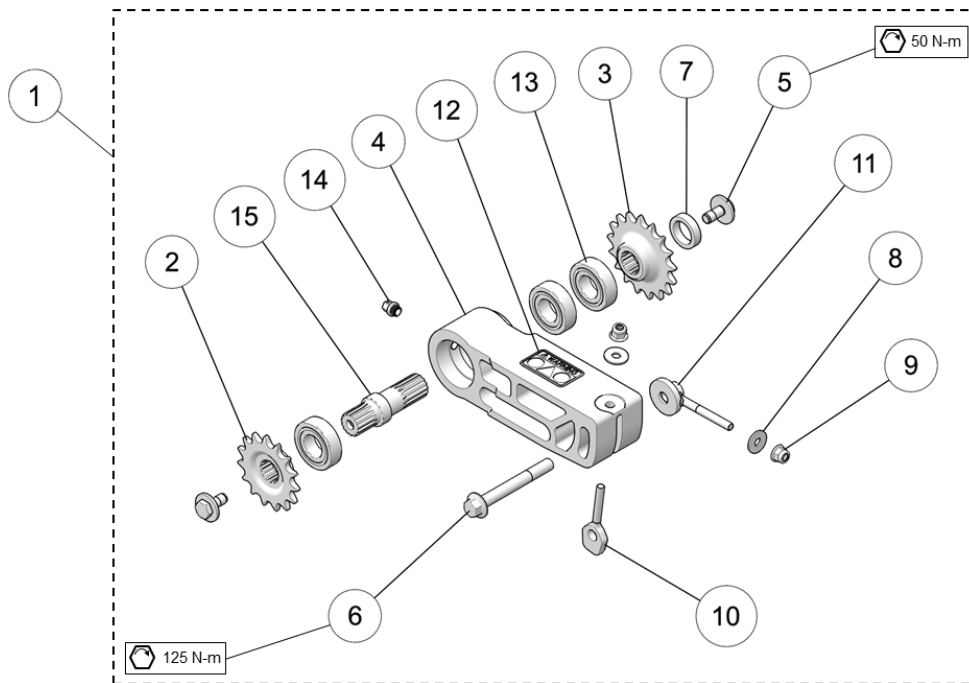
ITEM	PART #	DESCRIPTION	QTY
CAMSO DTS 129 MY2020 :: BRAKE SHIELD ASS'Y			
1	7086-00-9048	S-KIT, BRAKE SHIELD ASSY / ENSEMBLE DÉFLECTEUR DE FREIN	1
2	1035-08-A070	HFCS, M8-1.25X70, 10.9, ZP, TL, IFI536	2
3	1051-00-9063	BRAKE SHIELD SPACER / ESPACEUR, DÉFLECTEUR DE FREIN	2
4	--	BRAKE SHIELD / DÉFLECTEUR DE FREIN	1
5	--	BRAKE SHIELD COVER / COUVERCLE, DÉFLECTEUR DE FREIN	1
6	YPDR3111	FOAM RUBBER, BRAKE SHIELD / CAOUT. MOUSSE, PROTECT. FREIN	1
7	YPDR3118	FOAM RUBBER, BRAKE SHIELD / CAOUT. MOUSSE, PROTECT. FREIN	1



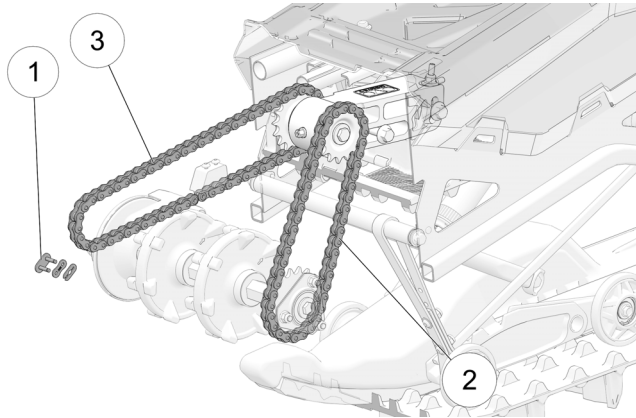
ITEM	PART #	DESCRIPTION	QTY
CAMSO DTS 129 MY2020 :: RIGHT SIDE PANEL			
1	7018-00-9121	S-KIT, DTS SIDE PANEL - RH / PANNEAU LATÉRAL DROIT	1
2	1017-00-9026	SQUARE RIBBED PLUG / CAPUCHON TUBE CARRÉ	2
3	--	SIDE PANEL, RH, ASS'Y / PANNEAU LATÉRAL DROIT ASSEMBLÉ	1
4	--	SIDE PANEL, STIFFENER / PANNEAU LATÉRAL, RENFORT	1
5	1037-00-0003	MOUNTABLE CABLE TIE / ATTACHE CÂBLE	2
6	1066-B3-X010	RF, SS, 3/16 X .38	4
7	--	STICKER, DTS 129 / DÉCALQUE, DTS 129	1
8	--	STICKER, CAMSO LOGO - RH / COLLANT, CAMSO LOGO - DR	1
9	1087-00-9016	SUSPENSION ARM WEAR PLATE / SUSP., PLAQUE D'USURE	2
10	1179-08-0001	CLN,M8-1.25,BP	3



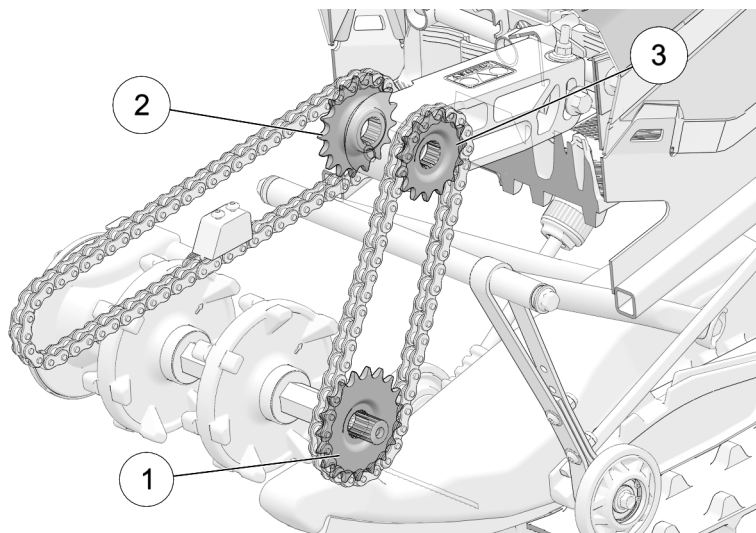
ITEM	PART #	DESCRIPTION	QTY
CAMSO DTS 129 MY2020 :: LEFT SIDE PANEL			
1	7018-00-9111	S-KIT, DTS SIDE PANEL - LH / PANNEAU LATÉRAL GAUCHE	1
2	1017-00-9026	SQUARE RIBBED PLUG / CAPUCHON TUBE CARRÉ	2
3	--	SIDE PANEL, LH, ASSY / PANNEAU LATÉRAL GAUCHE ASSEMBLÉ	1
4	--	SIDE PANEL, STIFFENER / PANNEAU LATÉRAL GAUCHE, RENFORT	1
5	--	TENSIONER, PLATE / TENDEUR, PLAQUE	1
6	1066-B3-X010	RF, SS, 3/16 X .38	14
7	--	STICKER, DTS 129 / DÉCALQUE, DTS 129	1
8	--	STICKER, CAMSO LOGO - LH / COLLANT, CAMSO LOGO - GA	1
9	--	CHAIN GUIDE / GUIDE DE CHAÎNE	1
10	1087-00-9016	SUSPENSION ARM WEAR PLATE / SUSP., PLAQUE D'USURE	2
11	1179-08-0001	CLN, M8-1.25, BP	2
12	1278-08-X029	RN, M8-1.25, 0.5-7.1, ZP	1



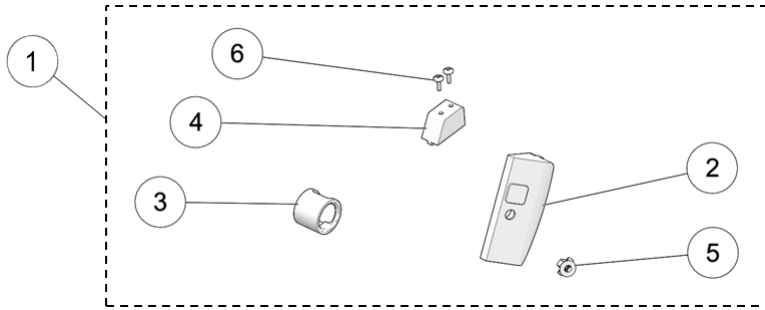
ITEM	PART #	DESCRIPTION	QTY
		CAMSO DTS 129 MY2020 :: CHAIN TENSIONER ASS'Y	
1	7014-00-9180	S-KIT, DTS CHAIN TENSIONER / TENDEUR CHAÎNE DTS	1
2	1009-00-9015	SPROCKET, 520, 15 TEETH / BARBOTIN, 520, 15 DENTS	1
3	1009-00-9017	SPROCKET, 520, 17 TEETH / BARBOTIN, 520, 17 DENTS	1
4	--	TENSIONER, CHAIN / TENDEUR DE CHAÎNE	1
5	1033-10-2026	HCSW, M10-1.5X25, 8.8, ZP, TL, DIN933	2
6	1035-12-1100	HFCS, M12-1.75X100, 10.9, ZP, DIN6921	1
7	1051-00-9008	SPACER / ESPACEUR	1
8	1060-08-0001	W, 24X8.4X2, ZP, DIN9021	2
9	1074-08-0001	FNN, M8-1.25, 8, ZP, DIN6926	2
10	1082-00-9083	VERT. CHAIN ADJUSTER PLATE / PLAQUE AJUST. CHAÎNE VERT.	1
11	1082-00-9110	TENSIONER, CHAIN / TENDEUR CHAÎNE	1
12	--	STICKER WARNING / AUTOCOLLANT AVERTISSEMENT	1
13	1090-00-0003	BEARING 6205 / ROULEMENT À BILLES 6205	3
14	1433-10-0001	HHP, M10-1	1
15	4000-00-9098	SHAFT / ARBRE	1



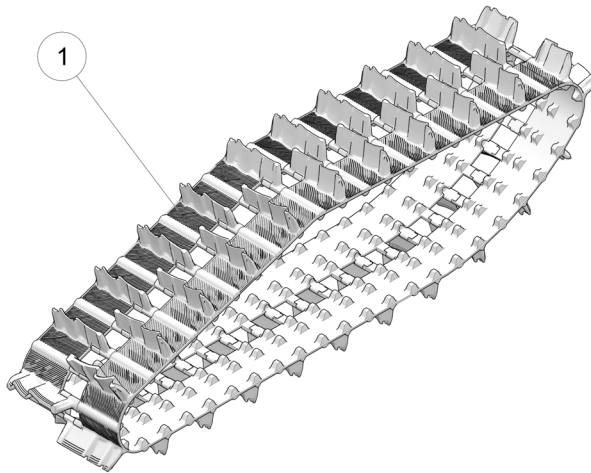
ITEM	PART #	DESCRIPTION	QTY
CAMSO DTS 129 MY2020 :: CHAINS			
1	1095-00-9001	CHAIN, MASTER LINK 520 / CHAÎNE, MAILLON - 520	1
2	1095-00-9048	CHAIN, ASS'Y, O-RING - 520X48 / CHAÎNE, ASS., O-RING - 520X48	1
3	1095-00-9064	CHAIN, ASS'Y, O-RING - 520X64 / CHAÎNE, ASS., O-RING - 520X64	1



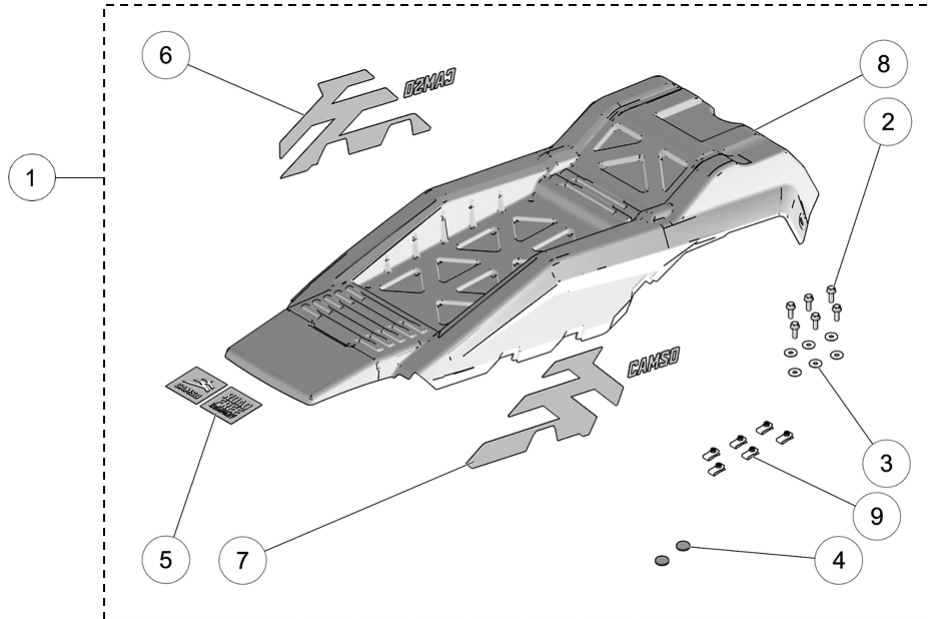
ITEM	PART #	DESCRIPTION	QTY
CAMSO DTS 129 MY2020 :: CHAIN SPROCKETS			
1	1009-00-9019	SPROCKET, 520, 19 TEETH / BARBOTIN, 520, 19 DENTS	1
2	1009-00-9017	SPROCKET, 520, 17 TEETH / BARBOTIN, 520, 17 DENTS	1
3	1009-00-9015	SPROCKET, 520, 15 TEETH / BARBOTIN, 520, 15 DENTS	1



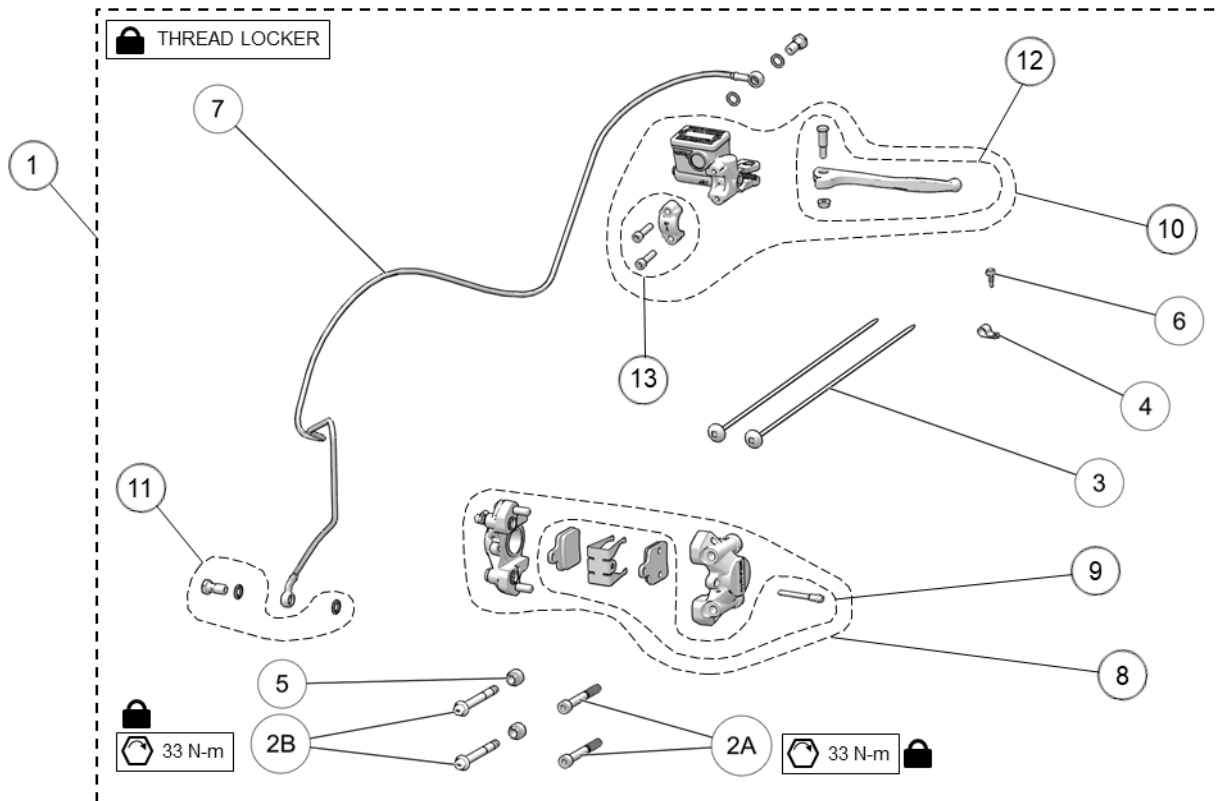
ITEM	PART #	DESCRIPTION	QTY
CAMSO DTS 129 MY2020 :: CHAIN GUIDE KIT			
1	7085-00-9061	S-KIT, CHAIN GUIDE SET / ENS. GUIDE CHAÎNE	1
2		CHAIN GUIDE / GUIDE DE CHAÎNE	1
3	--	SLEEVE, NYLON / DOUILLE, NYLON	1
4	--	BLOCK, CHAIN GUIDE / BLOC, GUIDE DE CHAÎNE	1
5	1278-08-X029	RN, M8-1.25, 0.5-7.1, ZP	1
6	1430-06-X016	RWHS, 6X16, TX, ZP	2



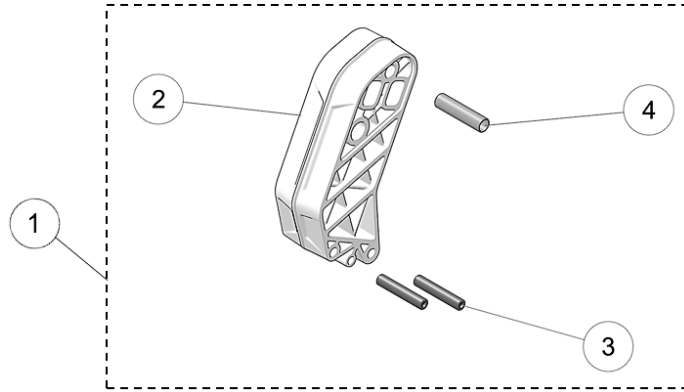
ITEM	PART #	DESCRIPTION	QTY
CAMSO DTS 129 MY2020 :: TRACK			
1	1093-00-9339	TRACK - SNOWBIKE 129" (9339S) / CHENILLE - SNOWBIKE 129" (9339S)	1



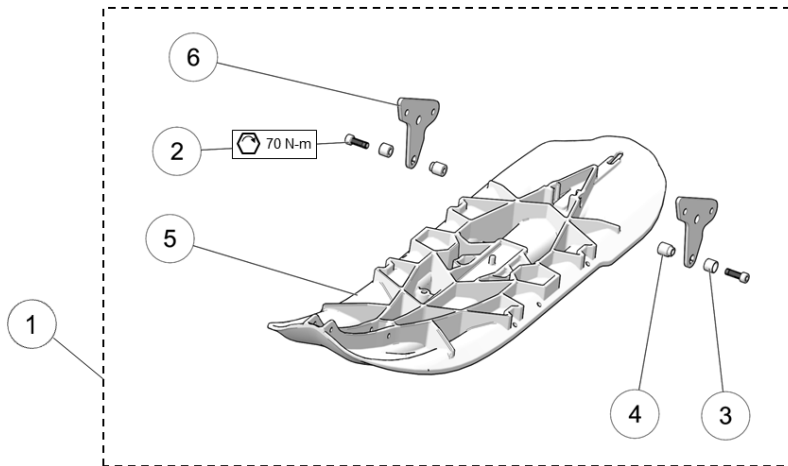
ITEM	PART #	DESCRIPTION	QTY
CAMSO DTS 129 MY2020 :: SKIN COVER			
1	7087-00-9109	S-KIT, SKIN COVER DTS / COUVRE TUNNEL DTS	1
2	1036-08-0025	HFSCS, M8-1.25X25, 8.8, ZP, DIN6921	6
3	1060-08-0001	W, 24X8.4X2, ZP, DIN9021	6
4	--	STICKER DAMPER - SKIN COVER / DÉCALQUE AMORTISSEUR	2
5	--	STICKER, CAMSO ROAD FREE / DÉCALQUE CAMSO ROAD FREE	1
6	--	STICKER, CAMSO LOGO - LH / COLLANT, CAMSO LOGO - GA	1
7	--	STICKER, CAMSO LOGO - RH / COLLANT, CAMSO LOGO - DR	1
8	--	SKIN COVER / COUVRE TUNNEL	1
9	1179-08-0001	CLN, M8-1.25, BP	6



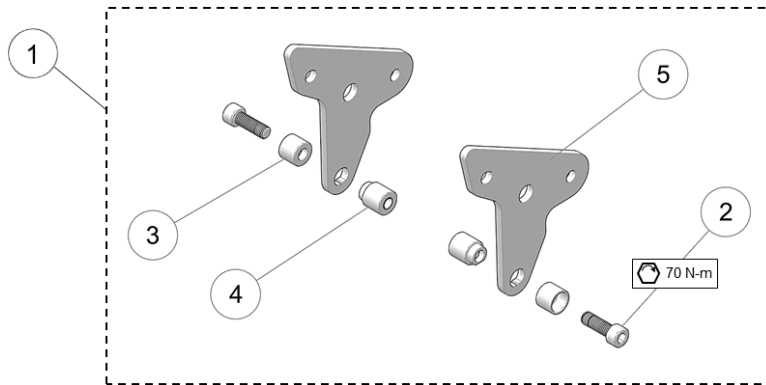
ITEM	PART #	DESCRIPTION	QTY
CAMSO DTS 129 MY2020 :: BRAKE SYSTEM			
1	7086-00-9073	S-KIT, BRAKE SYSTEM DTS / S-KIT, SYSTÈME FREIN DTS	1
2A*	1032-08-J065	HSCS, M8-1.25X65, 12.9, ZN, DIN912 *(MY2017-2018)	2
2B*	1035-08-A070	HFCS, M8-1.25X70, GR 10.9, ZINC PLATED, IFI 536 *(MY2019-2020)	2
3	1037-00-0003	MOUNTABLE CABLE TIE / ATTACHE CÂBLE	2
4	1037-00-0037	LOOP CLAMP / BRIDE DE FIXATION	1
5	1051-00-9063	BRAKE SHIELD SPACER / ESPACEUR, DÉFLECT. FREIN *(MY19-20)	2
6	1249-E1-X016	SDHWS, #10-16X5/8, ZP	1
7	1086-00-9185	BRAKE LINE ASS'Y, 1847 MM / CONDUITE FREIN ASS., 1847 MM	1
8	7086-00-9010	S-KIT, BRAKE CALIPER / S-KIT, ÉTRIER DE FREIN	1
9	7086-00-9011	S-KIT, BREAK PADS / S-KIT, PLAQUETTES DE FREIN	1
10	7086-00-9017	S-KIT, MASTER CYLINDER - RH / S-KIT, MAÎTRE CYLINDRE, DR	1
11	7086-00-9013	S-KIT, BRAKE LINE FASTENERS / QUINCAILLERIE SYSTÈME FREIN	2
12	7086-00-9033	S-KIT, BRAKE LEVER / LEVIER DE FREIN	1
13	7086-00-9025	S-KIT, MASTER CYLINDER, CLAMP/ SYSTÈME FREIN, BRIDE	1



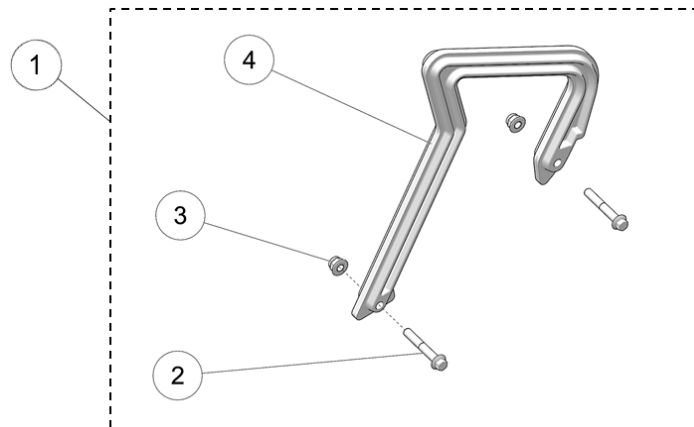
ITEM	PART #	DESCRIPTION	QTY
CAMSO DTS 129 MY2020 :: UPRIGHT			
1	7085-00-9150	S-KIT, UPRIGHT ASSY / S-KIT, SUPPORT ASSEMBLÉ	1
2	--	SKI, UPRIGHT - WHITE / SKI, SUPPORT - BLANC	1
3	--	SKI, UPRIGHT ROD / SKI, ARBRE SUPPORT	2
4	--	SKI, UPRIGHT TUBE / SKI, TUBE SUPPORT	1



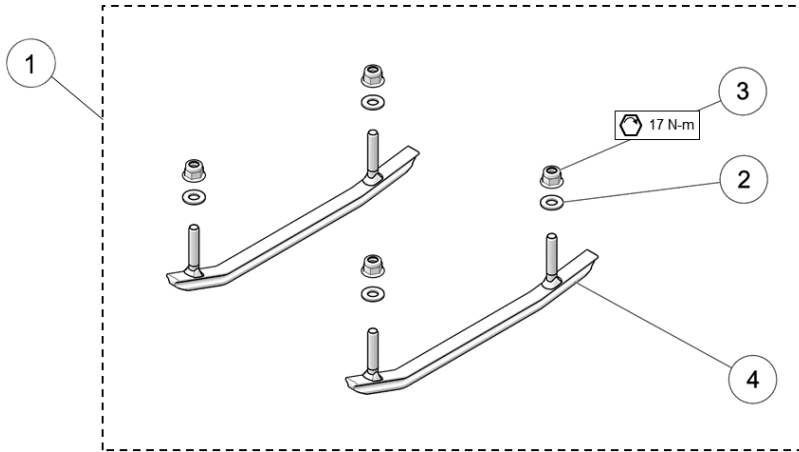
ITEM	PART #	DESCRIPTION	QTY
CAMSO DTS 129 MY2020 :: SKI			
1	7085-00-9032	S-KIT, SKI	1
2	1032-10-H030	HSCS, M10-1.5X30, 12.9, ZP, TL, DIN 912	2
3	--	SKI, PIVOT	2
4	--	SKI, PIVOT THREADED / SKI, PIVOT FILETÉ	2
5	--	SKI - WHITE / SKI - BLANC	1
6	--	SKI, BRACKET / SKI, ANCRAGE	2



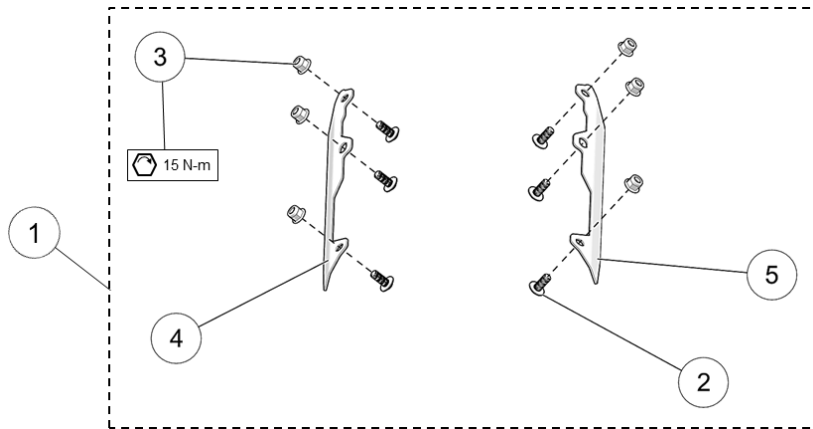
ITEM	PART #	DESCRIPTION	QTY
CAMSO DTS 129 MY2020 :: PIVOT PLATE SET			
1	7085-00-9040	S-KIT, SKI PIVOT PLATE SET / S-KIT, ENS. PLAQUE PIVOT SKI	1
2	1032-10-H030	HSCS, M10-1.5X30, 12.9, ZP, TL, DIN 912	2
3	--	SKI, PIVOT	2
4	--	SKI, PIVOT THREADED / SKI, PIVOT FILETÉ	2
5	--	SKI, BRACKET / SKI, ANCRAGE	2



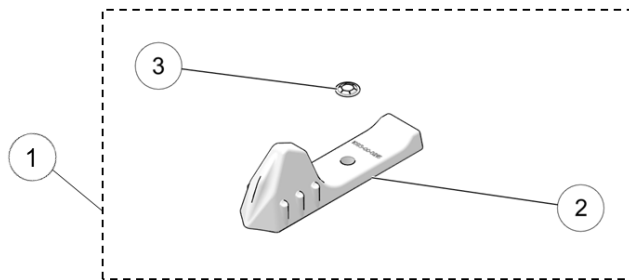
ITEM	PART #	DESCRIPTION	QTY
CAMSO DTS 129 MY2020 :: SKI HANDLE			
1	7085-00-9011	S-KIT, SKI HANDLE DTS / S-KIT, POIGNÉE SKI DTS	1
2	1035-08-C050	HFCS, M8-1.25X50, 10.9, ZP, IFI536	2
3	1074-08-0001	FNN,M8-1.25,8,ZP,DIN6926	2
4	--	SKI, HANDLE / SKI, POIGNÉE	1



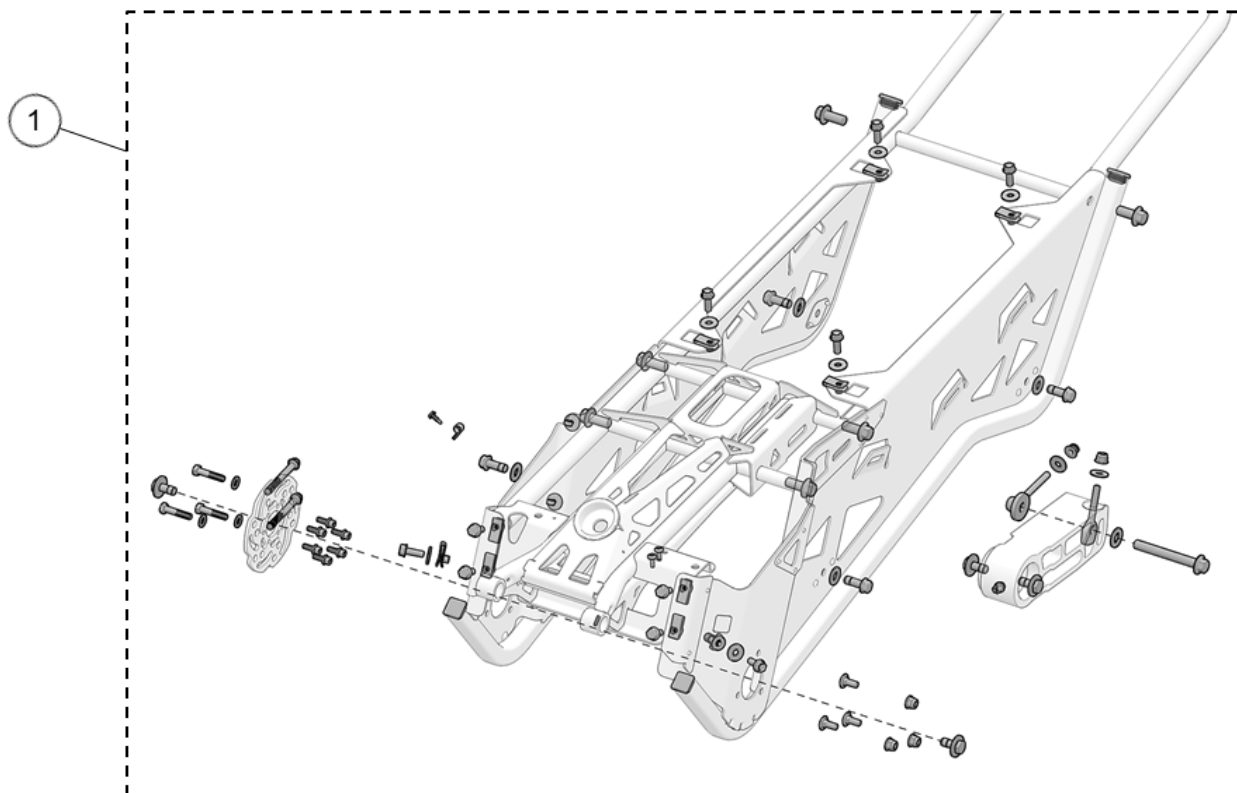
ITEM	PART #	DESCRIPTION	QTY
CAMSO DTS 129 MY2020 :: CARBIDE RUNNER SET			
1	7088-00-9055	S-KIT, SKI CARBIDE SET / S-KIT, ENS. CARBURE SKI	1
2	1060-00-0001	W, 11/16X11/32X0.060, 8, ZP, SAE	4
3	1074-08-0001	FNN, M8-1.25, 8, ZP, DIN6926	4
4	--	SKI RUNNER / LISSE SKI	2



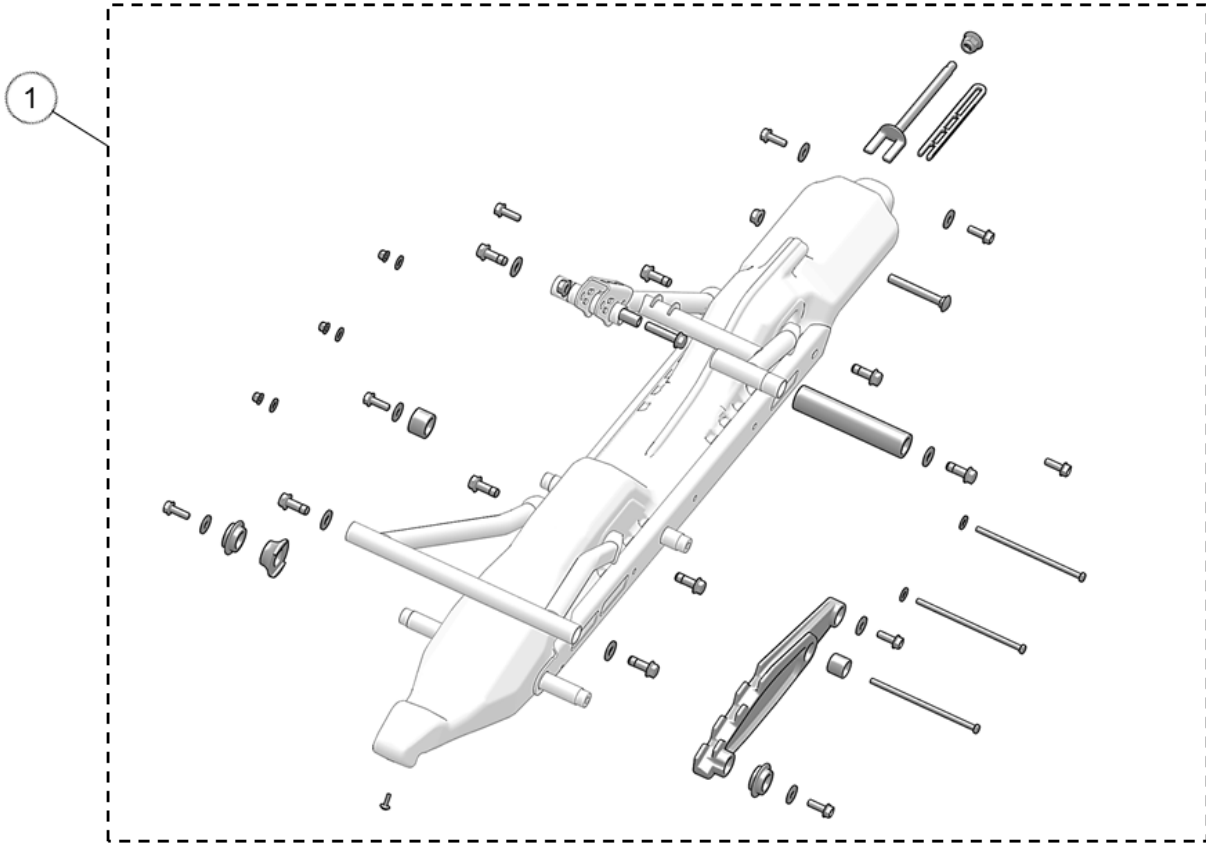
ITEM	PART #	DESCRIPTION	QTY
CAMSO DTS 129 MY2020 :: SIDE RUNNER SET			
1	7088-00-9037	S-KIT, SKI SIDE RUNNER SET / S-KIT, ENS. LISSE LATÉRALE SKI	1
2	1038-08-K020	HSFBS, M8-1.25X20, SS, 18-8	6
3	1074-08-0001	FNN, M8-1.25, 8, ZP, DIN6926	6
4	--	SKI, SIDE PLATE - LH / SKI, PLAQUE LATÉRALE - GA	1
5	--	SKI, SIDE PLATE - RH / SKI, PLAQUE LATÉRALE - DR	1



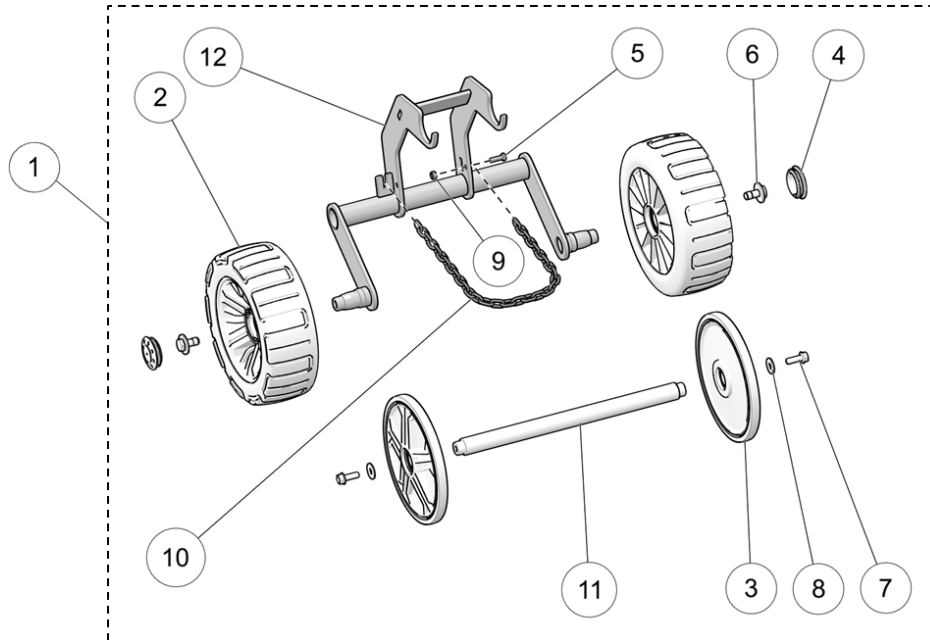
ITEM	PART #	DESCRIPTION	QTY
CAMSO DTS 129 MY2020 :: SKI RUBBER DAMPER			
1	7093-00-0215	S-KIT, SKI RUBBER / S-KIT, CAOUTCHOUC SKI	1
2	--	SKI, DAMPER / SKI, AMORTISSEUR	1
3	1096-00-0001	PN, 20X10X2, 2	1



ITEM	PART #	DESCRIPTION	QTY
CAMSO DTS 129 MY2020 :: FRAME FASTENERS			
1	7000-00-9016	S-KIT, FASTENERS, DTS FRAME / BOULONNERIE, CHÂSSIS DTS	1



ITEM	PART #	DESCRIPTION	QTY
		CAMSO DTS 129 MY2020 :: SUSPENSION FASTENERS	
1	7000-00-9013	S-KIT, FASTENERS / BOULONNERIE - DTS SUSPENSION	1



ITEM	PART #	DESCRIPTION	QTY
CAMSO DTS 129 MY2020 :: WHEEL KIT			
1	7200-00-9050	SKI, WHEEL KIT / ENSEMBLE DE ROUE, SKI	1
2	1016-00-2260	WHEEL (4.10/3.50-6) BLACK - ASS'Y / ROUE (4.10/3.50-6) NOIR - ASS.	2
3	1016-00-9200	WHEEL, 200 MM / ROUE, 200 MM	2
4	1017-00-0042	WHEEL CAP / CAPUCHON DE ROUE	2
5	1033-06-0020	BOLT / BOULON - HCS, M6-1X20, 8.8, ZP, DIN933	1
6	1033-10-2026	BOLT / BOULON - HCSW, M10-1.5X25, 8.8, ZP, TL, DIN933	2
7	1036-08-0025	BOLT / BOULON - HFSCS, M8-1.25X25, 8.8, ZP, DIN6921	2
8	1060-08-0001	WASHER / RONDELLE - W, 24X8.4X2, ZP, DIN9021	2
9	1071-06-0001	NYLON NUT / ÉCROU NYLON - NN, M6-1, ZP, DIN982	1
10	--	RETAINING CHAIN / CHAÎNE DE RETENUE	1
11	--	REAR SHAFT / ARBRE ARRIÈRE	1
12	--	WHEEL KIT WELDMENT / ENSEMBLE ROUE SOUDAGE	1