

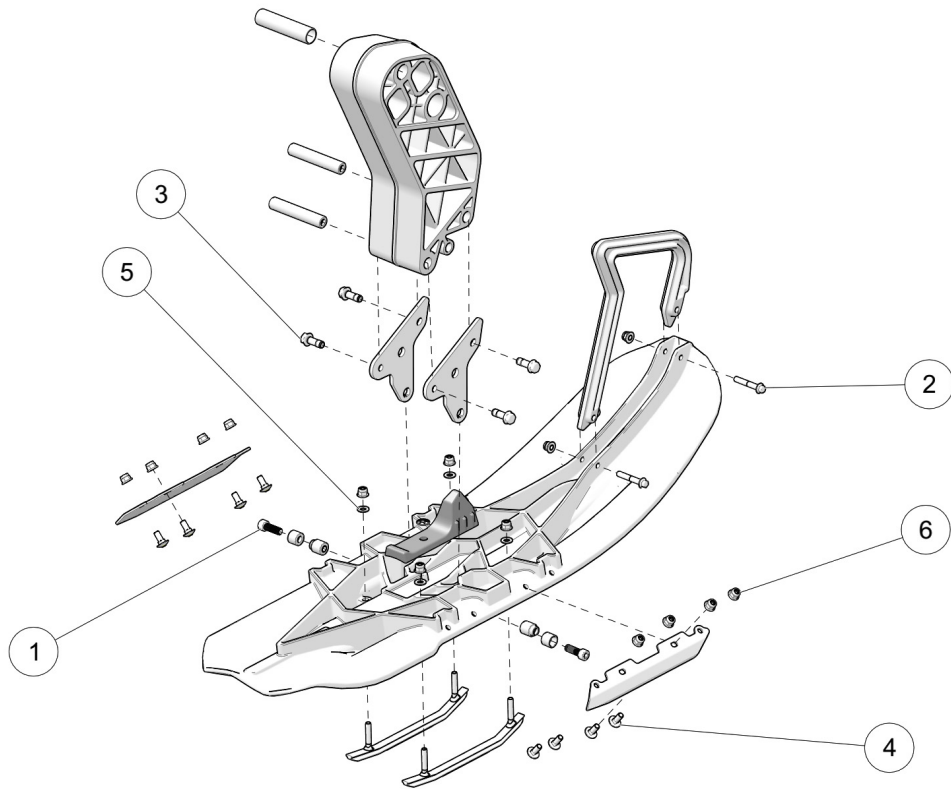
CAMSO DTS 129

Système de conversion à chenilles
pour moto hors route

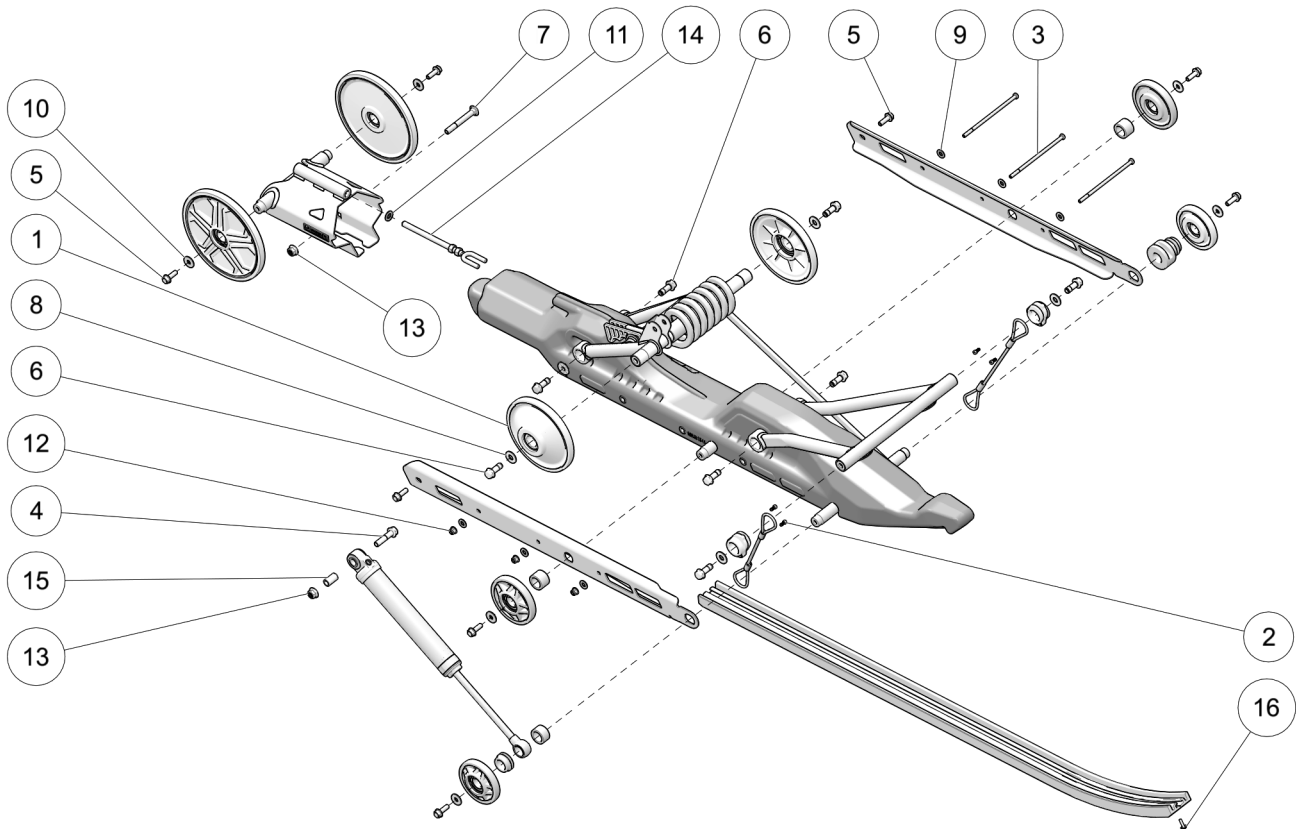
VERSION B

LISTE DE PIÈCES 2018

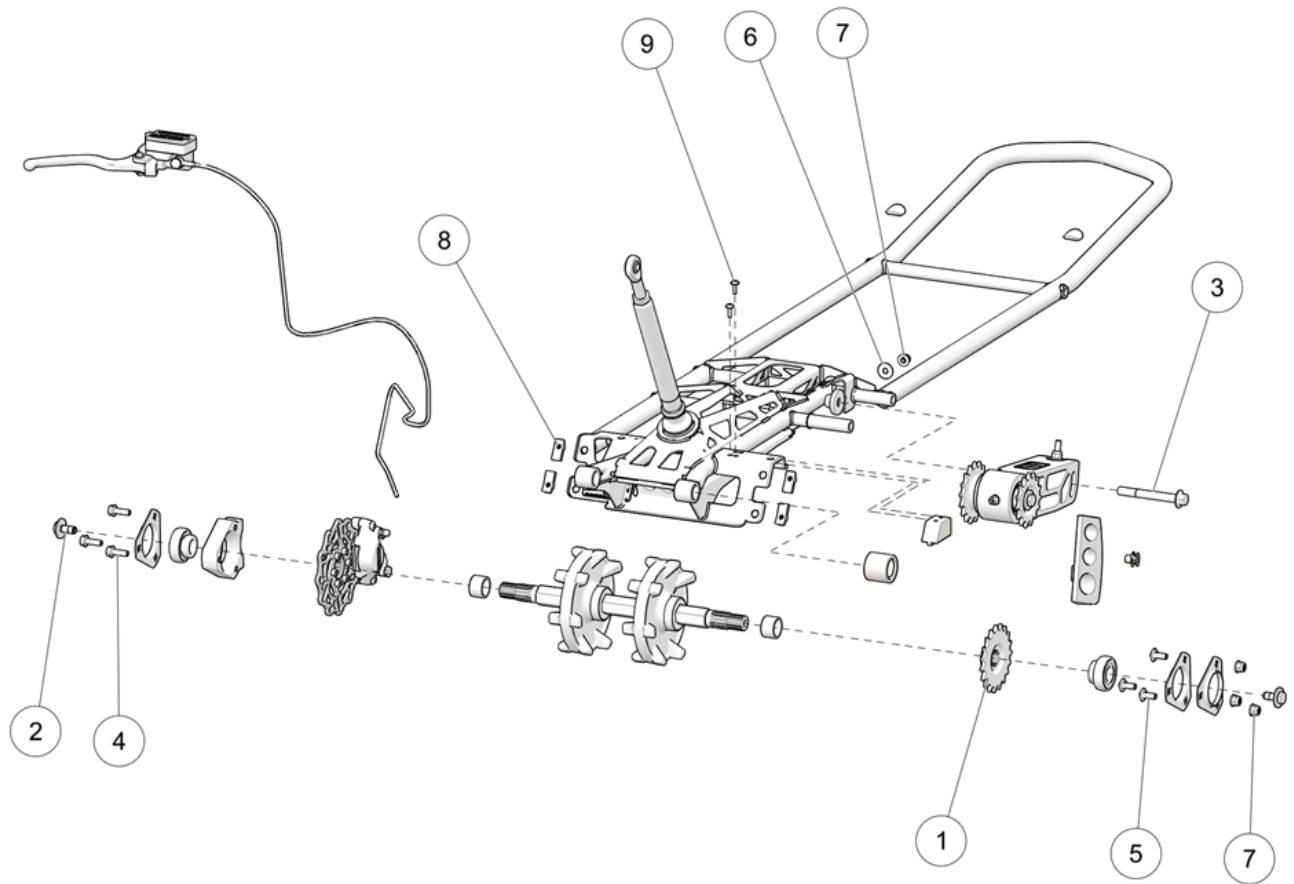




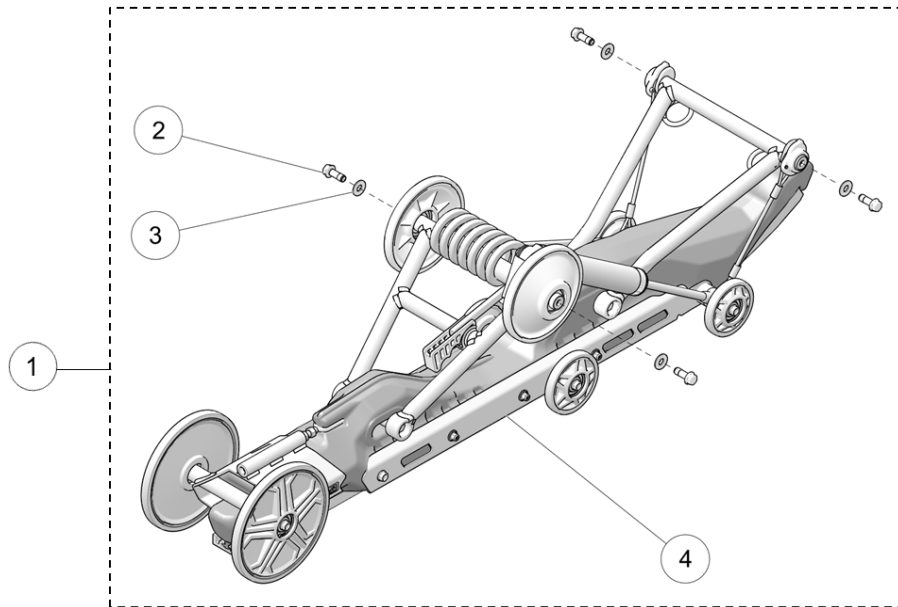
| ITEM | PART # | DESCRIPTION | QTY |
|---------------------------------------------------|--------------|-------------------------------------------|-----|
| CAMSO DTS 129 MY2018 :: FRONT SKI ASSEMBLY | | | |
| 1 | 1032-10-H030 | HSCS, M10-1.5X30, 12.9, ZP, TL, DIN 912 | 2 |
| 2 | 1035-08-C050 | HFCS, M8-1.25X50, 10.9, ZP, IFI536 | 2 |
| 3 | 1036-10-4030 | HFSCS, M10-1.5X30, 10.9, ZP, TL, DIN 6921 | 4 |
| 4 | 1038-08-K020 | HSFBS, M8-1.25X20, SS, 18-8 | 8 |
| 5 | 1060-00-0001 | W, 11/16X11/32X0.060, 8, ZP, SAE | 4 |
| 6 | 1074-08-0001 | FNN, M8-1.25, 8, ZP, DIN6926 | 14 |



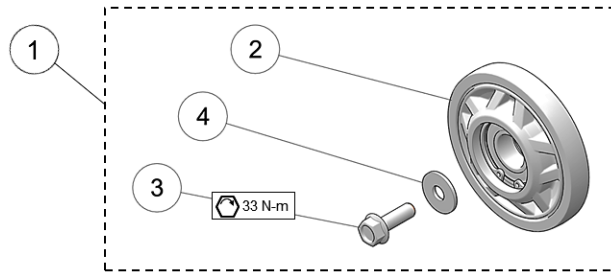
| ITEM | PART # | DESCRIPTION | QTY |
|------------------------------------------------|--------------|-------------------------------------------------|-----|
| CAMSO DTS 129 MY2018 :: REAR SUSPENSION | | | |
| 1 | 1016-00-9162 | IDLER WHEEL 162MM / ROUE INTERMÉDIAIRE 162MM | 2 |
| 2 | 1032-04-J010 | SHCS, M4-0.7X10, 12.9, ZP, DIN912 | 4 |
| 3 | 1033-06-0150 | HCS, M6-1.0X150, 8.8, ZP, ISO4014 | 3 |
| 4 | 1035-10-1045 | HFCS, M10-1.5X45, 10.9, ZP, DIN6921 | 1 |
| 5 | 1036-08-0025 | HFSCS, M8-1.25X25, 8.8, ZP, DIN6921 | 8 |
| 6 | 1036-10-4030 | HFSCS, M10-1.5X30, 10.9, ZP, TL, DIN6921 | 8 |
| 7 | 1046-10-0080 | CB, M10-1.5X80, 8.8, ZP, DIN603 | 1 |
| 8 | 1060-00-0004 | W, 7/16X1.0X0.072, 8, ZP, USS | 4 |
| 9 | 1060-06-0001 | W, 6.4X20X1.5, ZP, DIN9021 | 6 |
| 10 | 1060-08-0001 | W, 24X8.4X2, ZP, DIN9021 | 6 |
| 11 | 1060-10-0001 | W, 20X10.5X2, ZP, DIN125A | 1 |
| 12 | 1074-06-0001 | FNN, M6-1, 8, ZP, DIN6926 | 3 |
| 13 | 1074-10-0001 | FNN, M10-1.5, 8, ZP, DIN6926 | 2 |
| 14 | 1082-00-7550 | TENSIONER ROD ASS'Y / TIGE TENSIONNEUR ASSEMBLÉ | 1 |
| 15 | 1089-00-9026 | SHOCK, SLEEVE / AMORTISSEUR, DOUILLE | 1 |
| 16 | 1430-06-X016 | RWHS, 6X16, TX, ZP | 1 |



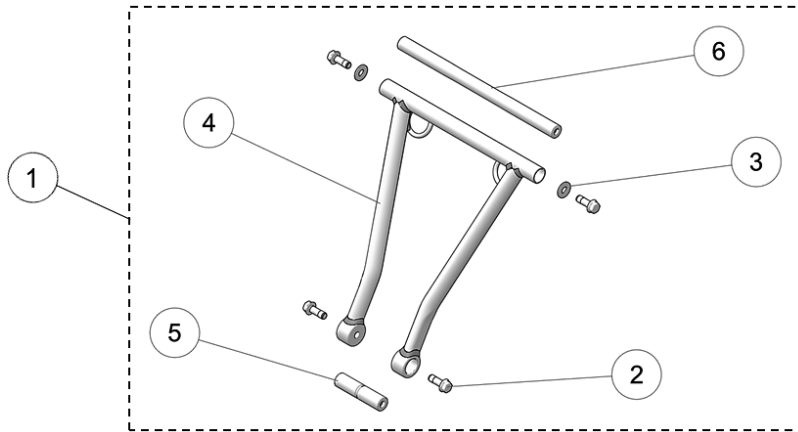
| ITEM | PART # | DESCRIPTION | QTY |
|-----------------------------------------------|--------------|---------------------------------------------------|-----|
| CAMSO DTS 129 MY2018 :: FRAME ASSEMBLY | | | |
| 1 | 1009-00-9019 | SPROCKET, 520, 19 TEETH / BARBOTIN, 520, 19 DENTS | 1 |
| 2 | 1033-10-2026 | HCSW, M10-1.5X25, 8.8, ZP, TL, DIN933 | 2 |
| 3 | 1035-12-1100 | HFCS, M12-1.75X100, 10.9, ZP, DIN6921 | 1 |
| 4 | 1036-08-0025 | HFSCS, M8-1.25X25, 8.8, ZP, DIN6921 | 3 |
| 5 | 1046-08-0020 | CB, M8-1.25X20, 8.8, ZP | 3 |
| 6 | 1060-08-0001 | W, 24X8.4X2, ZP, DIN9021 | 1 |
| 7 | 1074-08-0001 | FNN, M8-1.25, 8, ZP, DIN6926 | 4 |
| 8 | 1178-08-0001 | CLN, M8-1.25, BP | 4 |
| 9 | 1430-06-X016 | RWHS, 6X16, TX, ZP | 2 |



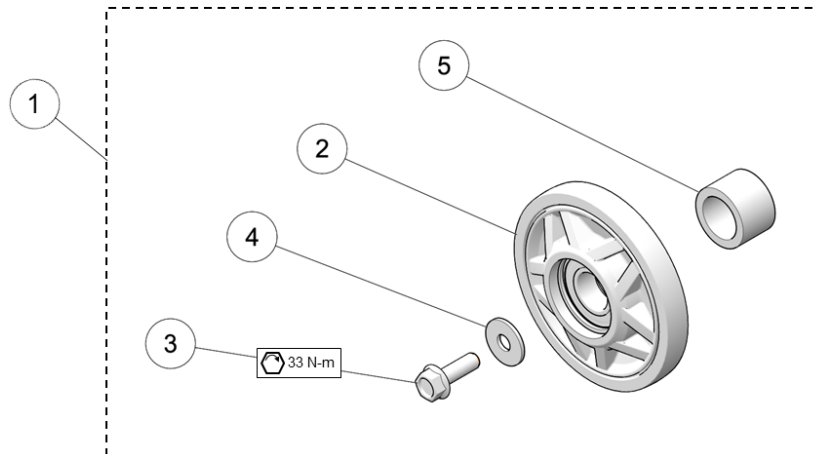
| ITEM | PART # | DESCRIPTION | QTY |
|------|--------------|---------------------------------------------------------|-----|
| | | CAMSO DTS 129 MY2018 :: REAR SUSPENSION ASSEMBLY | |
| 1 | 7087-00-9024 | S-KIT, SUSPENSION ASSY/ SUSPENSION ASSEMBLÉE | 1 |
| 2 | 1036-10-4030 | HFSCS, M10-1.5X30, 10.9, ZP, TL, DIN 6921 | 4 |
| 3 | 1060-00-0004 | W, 7/16X1.0X0.072, 8, ZP, USS | 4 |
| 4 | -- | REAR SUSPENSION, SUB ASSY / SOUS-ENS, SUSP. ARRIÈRE | 1 |



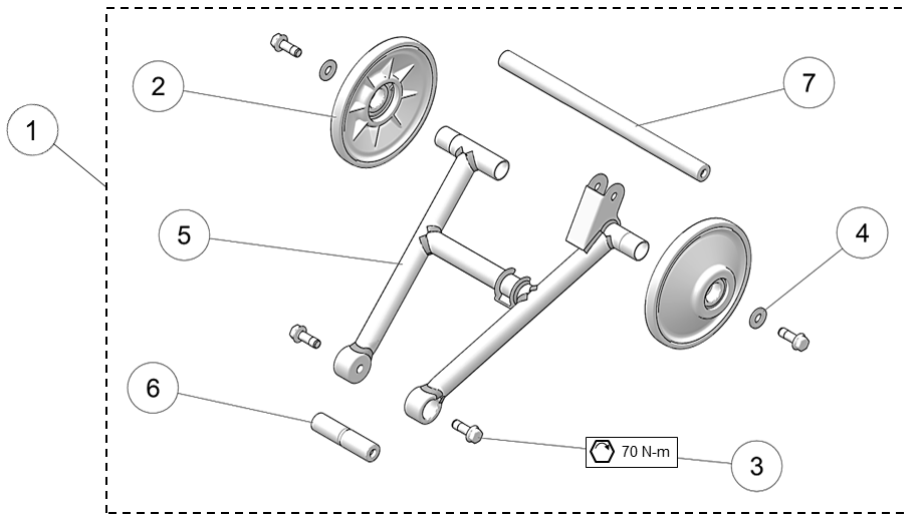
| ITEM | PART # | DESCRIPTION | QTY |
|------|--------------|----------------------------------------------------|-----|
| | | CAMSO DTS 129 MY2018 :: 94MM WHEEL ASSEMBLY | |
| 1 | 7016-00-9094 | S-KIT, WHEEL 94MM / ROUE 94MM | 1 |
| 2 | -- | WHEEL 94MM / ROUE 94MM | 1 |
| 3 | 1036-08-0025 | HFSCS, M8-1.25X25, 8.8 ,ZP, DIN6921 | 1 |
| 4 | 1060-08-0001 | W, 24X8.4X2, ZP, DIN9021 | 1 |



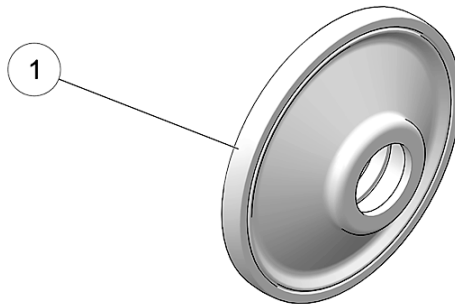
| ITEM | PART # | DESCRIPTION | QTY |
|-----------------------------------------------------|--------------|-----------------------------------------------------|-----|
| CAMSO DTS 129 MY2018 :: FRONT SUSPENSION ARM | | | |
| 1 | 7087-00-9355 | S-KIT, FRONT SUSPENSION ARM / BRAS SUSPENSION AVANT | 1 |
| 2 | 1036-10-4030 | HFSCS, M10-1.5X30, 10.9, ZP, TL, DIN 6921 | 4 |
| 3 | 1060-00-0004 | W, 7/16X1.0X0.072, 8, ZP, USS | 2 |
| 4 | -- | FRONT SUSPENSION A-ARM / BRAS SUSPENSION AVANT | 1 |
| 5 | 4000-00-9091 | A-ARM SHAFT / ARBRE, BRAS SUSPENSION | 1 |
| 6 | 4000-00-9327 | SUSPENSION A-ARM, SHAFT / BRAS SUSPENSION, ARBRE | 1 |



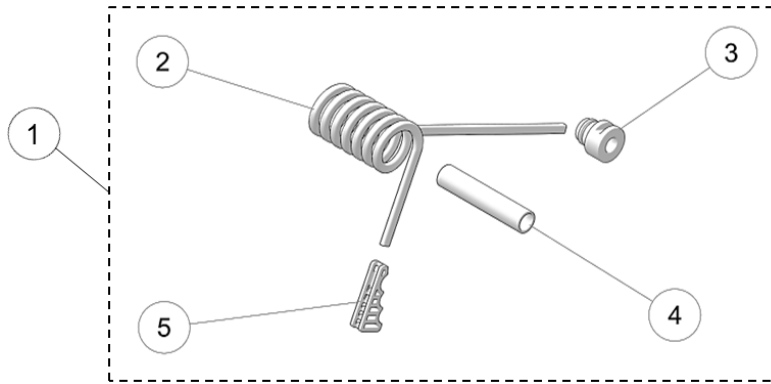
| ITEM | PART # | DESCRIPTION | QTY |
|-----------------------------------------------------|--------------|-------------------------------------|-----|
| CAMSO DTS 129 MY2018 :: 104MM WHEEL ASSEMBLY | | | |
| 1 | 7016-00-9104 | S-KIT, WHEEL 104MM / ROUE 104MM | 1 |
| 2 | -- | WHEEL 104MM / ROUE 104MM | 1 |
| 3 | 1036-08-0025 | HFSCS, M8-1.25X25, 8.8, ZP, DIN6921 | 1 |
| 4 | 1060-08-0001 | W, 24X8.4X2, ZP, DIN9021 | 1 |
| 5 | 1087-00-9023 | WHEEL SPACER / ESPACEUR DE ROUE | 1 |



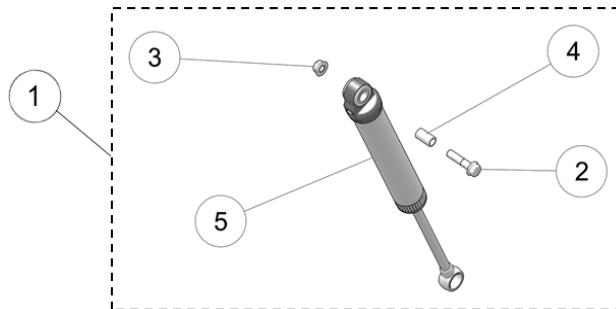
| ITEM | PART # | DESCRIPTION | QTY |
|----------------------------------------------------|--------------|------------------------------------------------------|-----|
| CAMSO DTS 129 MY2018 :: REAR SUSPENSION ARM | | | |
| 1 | 7087-00-9290 | S-KIT, REAR SUSPENSION ARM / BRAS SUSPENSION ARRIERE | 1 |
| 2 | 1016-00-9162 | IDLER WHEEL, 162MM / ROUE INTERMÉDIAIRE, 162MM | 2 |
| 3 | 1036-10-4030 | HFSCS, M10-1.5X30, 10.9, ZP, TL, DIN 6921 | 4 |
| 4 | 1060-00-0004 | W, 7/16X1.0X0.072, 8, ZP, USS | 2 |
| 5 | -- | REAR SUSPENSION A-ARM / BRAS SUSPENSION ARRIÈRE | 1 |
| 6 | 4000-00-9091 | A-ARM SHAFT / ARBRE, BRAS SUSPENSION | 1 |
| 7 | 4000-00-9327 | SUSPENSION A-ARM, SHAFT / BRAS SUSPENSION, ARBRE | 1 |



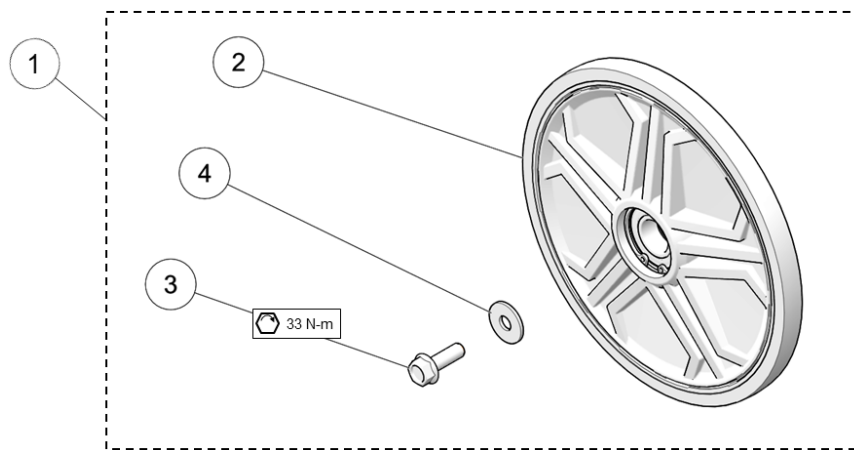
| ITEM | PART # | DESCRIPTION | QTY |
|--------------------------------------------------|--------------|----------------------------------------------|-----|
| CAMSO DTS 129 MY2018 :: 162MM IDLER WHEEL | | | |
| 1 | 1016-00-9162 | IDLER WHEEL 162MM / ROUE INTERMÉDIAIRE 162MM | 1 |



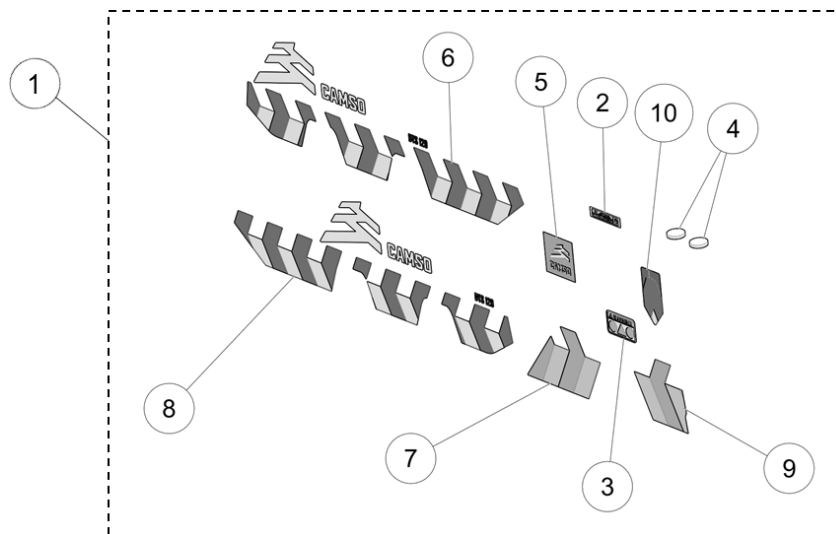
| ITEM | PART # | DESCRIPTION | QTY |
|-----------------------------------------------|--------------|--------------------------------------------|-----|
| CAMSO DTS 129 MY2018 :: TORSION SPRING | | | |
| 1 | 7080-00-9006 | S-KIT, TORSION SPRING / RESSORT DE TORSION | 1 |
| 2 | -- | TORSION SPRING / RESSORT DE TORSION | 1 |
| 3 | 1087-00-9053 | SPRING HOLDER / SUPPORT RESSORT | 1 |
| 4 | 1087-00-9154 | SLEEVE / MANCHON | 1 |
| 5 | 1092-00-9033 | SPRING CAM / CAME, RESSORT | 1 |



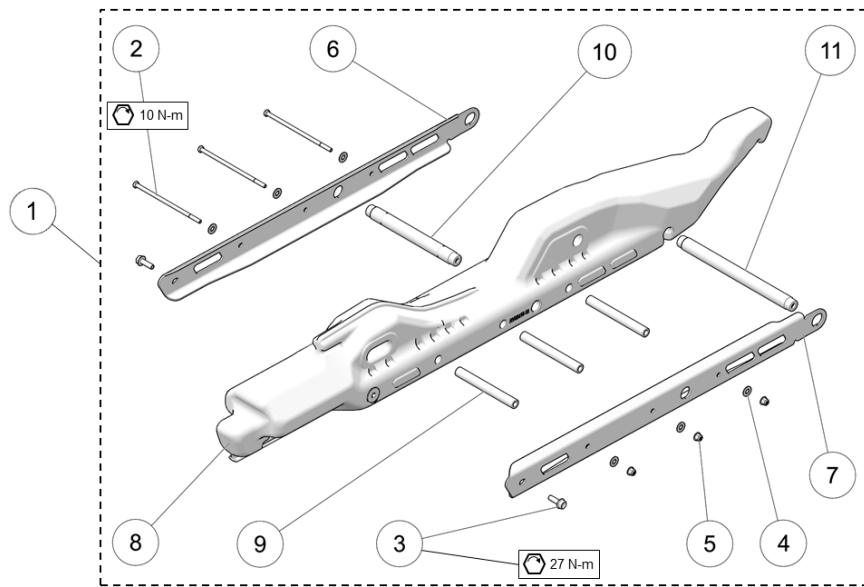
| ITEM | PART # | DESCRIPTION | QTY |
|-----------------------------------------------|--------------|-----------------------------------------|-----|
| CAMSO DTS 129 MY2018 :: SHOCK ABSORBER | | | |
| 1 | 7089-00-9485 | S-KIT, SHOCK ABSORBER / AMORTISSEUR | 1 |
| 2 | 1035-10-1045 | HFCS, M10-1.5X45, 10.9, ZP, DIN6921 | 1 |
| 3 | 1074-10-0001 | FNN, M10-1.5, 8, ZP, DIN6926 | 1 |
| 4 | 1089-00-9026 | SHOCK, SLEEVE / AMORTISSEUR, DOUILLE | 1 |
| 5 | -- | SHOCK ABSORBER / AMORTISSEUR SUSPENSION | 1 |



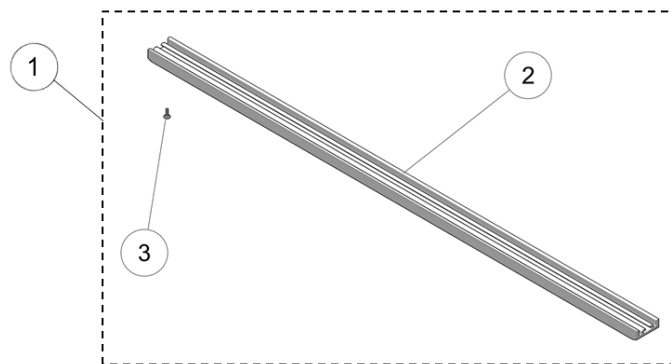
| ITEM | PART # | DESCRIPTION | QTY |
|-----------------------------------------------------|--------------|-------------------------------------|-----|
| CAMSO DTS 129 MY2018 :: 200MM WHEEL ASSEMBLY | | | |
| 1 | 7016-00-9200 | S-KIT, WHEEL 200MM / ROUE 200MM | 1 |
| 2 | -- | WHEEL 200MM / ROUE 200MM | 1 |
| 3 | 1036-08-0025 | HFSCS, M8-1.25X25, 8.8, ZP, DIN6921 | 1 |
| 4 | 1060-08-0001 | W, 24X8.4X2, ZP, DIN9021 | 1 |



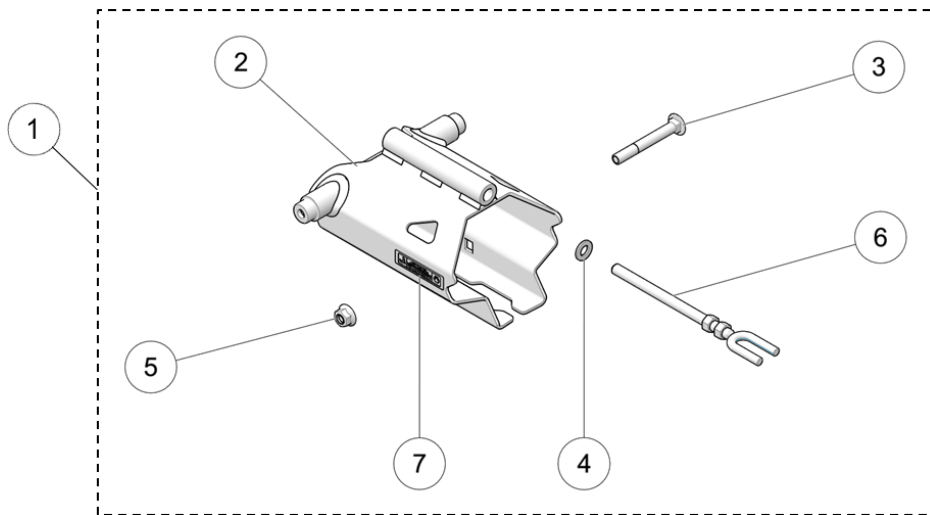
| ITEM | PART # | DESCRIPTION | QTY |
|--------------------------------------------|--------------|-----------------------------------------------------------|-----|
| CAMSO DTS 129 MY2018 :: STICKER KIT | | | |
| 1 | 7083-00-9065 | S-KIT, STICKER DTS / COLLANT DTS | 1 |
| 2 | -- | STICKER - LOOSEN PRIOR / DÉCALQUE DESSERRER AVANT | 1 |
| 3 | -- | STICKER WARNING / AUTOCOLLANT AVERTISSEMENT | 1 |
| 4 | -- | STICKER DAMPER - SKIN COVER / DÉCALQUE AMORTISSEUR | 2 |
| 5 | -- | STICKER, CAMSO LOGO / DÉCALQUE LOGO CAMSO | 1 |
| 6 | -- | STICKER SKIN, LH / COLLANT CAPOT, GA | 1 |
| 7 | -- | STICKER SIDE PANEL, LH / COLLANT PANNEAU LATÉRAL, GA | 1 |
| 8 | -- | STICKER SKIN, RH / COLLANT CAPOT, DR | 1 |
| 9 | -- | STICKER SIDE PANEL, RH / COLLANT PANNEAU LATÉRAL, DR | 1 |
| 10 | -- | STICKER, SIDE PANEL TUBE / COLLANT, TUBE, PANNEAU LATÉRAL | 2 |



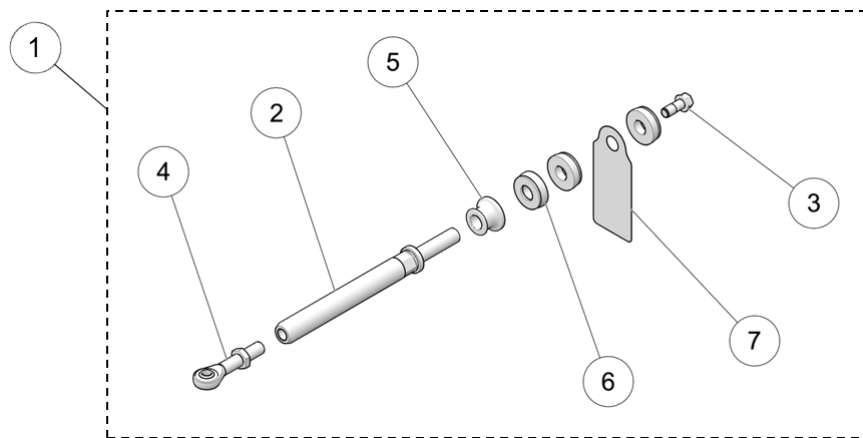
| ITEM | PART # | DESCRIPTION | QTY |
|------------------------------------------------|--------------|--------------------------------------------------------|-----|
| CAMSO DTS 129 MY2018 :: SUSPENSION RAIL | | | |
| 1 | 7087-00-9080 | S-KIT, SUSPENSION RAIL ASSY / RAIL SUSPENSION ASS. | 1 |
| 2 | 1033-06-0150 | HCS, M6-1.0X150, 8.8, ZP, ISO4014 | 3 |
| 3 | 1036-08-0025 | HFSCS, M8-1.25X25, 8.8, ZP, DIN6921 | 2 |
| 4 | 1060-06-0001 | W, 6.4X20X1.5, ZP, DIN9021 | 6 |
| 5 | 1074-06-0001 | FNN, M6-1, 8, ZP, DIN6926 | 3 |
| 6 | -- | SUSPENSION, RAIL STIFFENER - LH / RENFORT RAIL - GA | 1 |
| 7 | -- | SUSPENSION, RAIL STIFFENER - RH / RENFORT RAIL - DR | 1 |
| 8 | -- | SUSPENSION, RAIL & RIVET NUTS / RAIL & ÉCROUS À SERTIR | 1 |
| 9 | -- | BASE SHAFT / ARBRE BASE | 3 |
| 10 | 4000-00-9207 | IDLER SHORT SHAFT / ARBRE RENVOI COURT | 1 |
| 11 | 4000-00-9266 | IDLER LONG SHAFT / ARBRE RENVOI LONG | 1 |



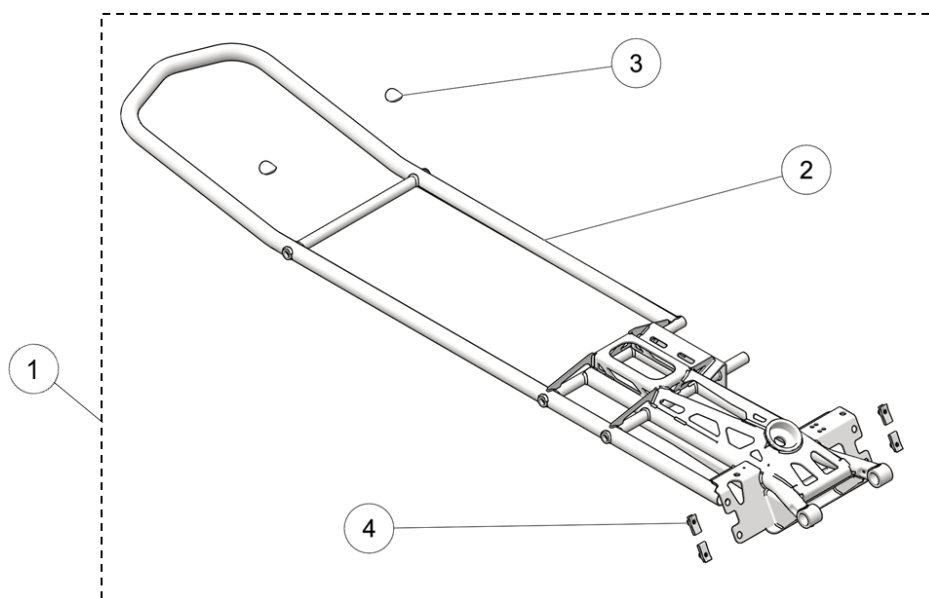
| ITEM | PART # | DESCRIPTION | QTY |
|--------------------------------------------|--------------|------------------------------------------------|-----|
| CAMSO DTS 129 MY2018 :: TRACK SLIDE | | | |
| 1 | 7085-00-9321 | S-KIT, TRACK SLIDE / S-KIT, GLISSIÈRE CHENILLE | 1 |
| 2 | -- | SLIDE, 129 / GLISSIÈRE, 129 | 1 |
| 3 | 1430-06-X016 | RWHS, 6X16, TX, ZP | 1 |



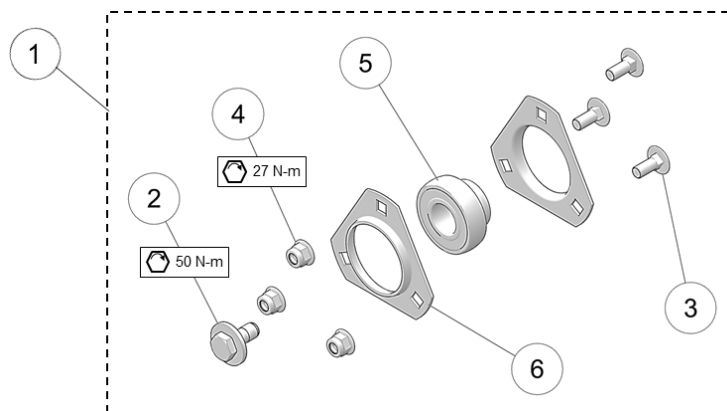
| ITEM | PART # | DESCRIPTION | QTY |
|------------------------------------------------|--------------|----------------------------------------------------|-----|
| CAMSO DTS 129 MY2018 :: TRACK TENSIONER | | | |
| 1 | 7014-00-9230 | S-KIT, TRACK TENSIONER / TENDEUR DE CHENILLE | 1 |
| 2 | -- | TENSIONER, ASSY / TENDEUR, ASSEMBLÉ | 1 |
| 3 | 1046-10-0080 | CB, M10-1.5X80, 8.8, ZP, DIN603 | 1 |
| 4 | 1060-10-0001 | W, 20X10.5X2, ZP, DIN125A | 1 |
| 5 | 1074-10-0001 | FNN, M10-1.5, 8, ZP, DIN6926 | 1 |
| 6 | 1082-00-7550 | TENSIONER ROD ASS'Y / TIGE TENSIONNEUR ASSEMBLÉ | 1 |
| 7 | -- | STICKER - LOOSEN PRIOR / DÉCALQUE, DESSERRER AVANT | 1 |



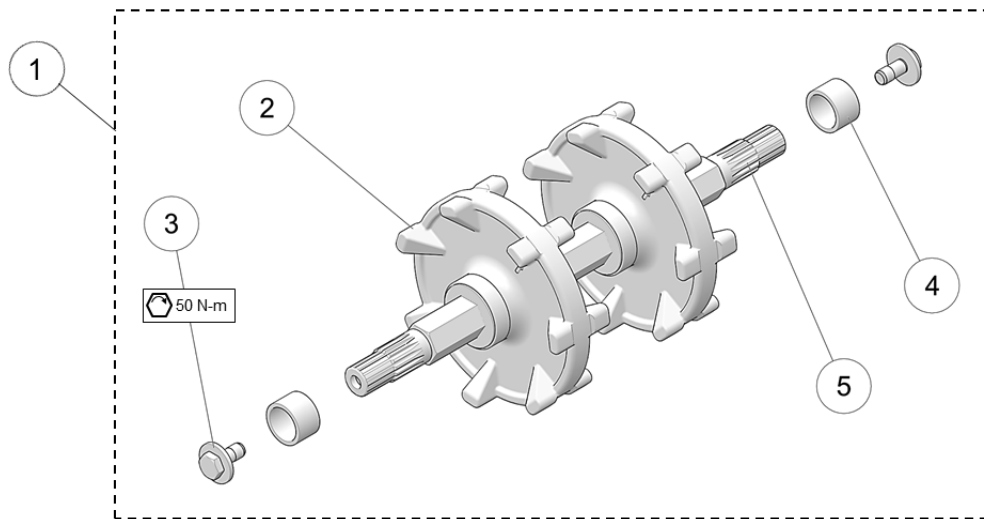
| ITEM | PART # | DESCRIPTION | QTY |
|--------------------------------------------------|--------------|-------------------------------------------------------------|-----|
| CAMSO DTS 129 MY2018 :: ANTI-ROTATION ROD | | | |
| 1 | 7001-00-9240 | ANTI-ROTATION ROD ASSY / TUBE ANTI-ROTATION ASSEMBLÉ | 1 |
| 2 | -- | ANTI-ROTATION ROD / TIGE ANTI-ROTATION | 1 |
| 3 | 1036-12-4030 | HFSCS, M12-1.75X30, 10.9, ZP, TL, DIN 6921 | 1 |
| 4 | 1047-16-1065 | ROD END, M16-1.5X65, ASSY / TIGE EMBOUT, M16-1.5X65, ASS | 1 |
| 5 | 1051-00-9030 | SPACER, ANTI-ROTATION / ESPACEUR ANTI-ROTATION | 1 |
| 6 | 1093-00-9060 | RUBBER DAMPER / AMORTISSEUR DE CAOUTCHOUC | 3 |
| 7 | -- | TAG - STRUT ROD DTS 129 / ÉTIQUETTE - BRAS COUPLAGE DTS 129 | 1 |



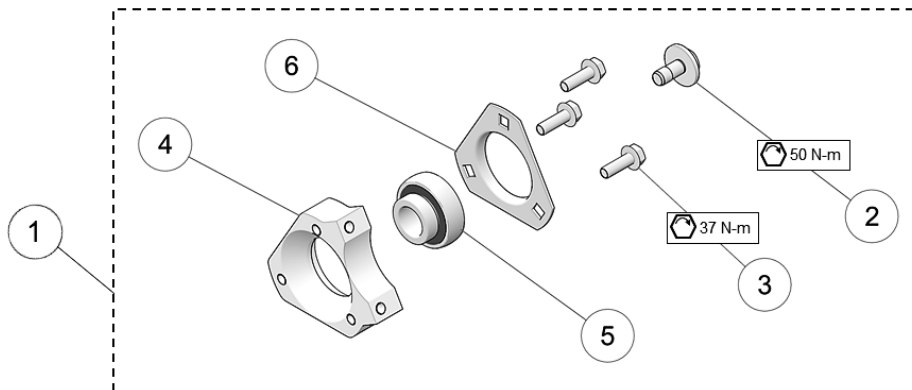
| ITEM | PART # | DESCRIPTION | QTY |
|-------------------------------------------|--------------|----------------------------------------------------|-----|
| CAMSO DTS 129 MY2018 :: MAIN FRAME | | | |
| 1 | 7018-00-9270 | S-KIT, MAIN FRAME / S-KIT, CHÂSSIS | 1 |
| 2 | -- | FRAME - DTS / CHÂSSIS - DTS | 1 |
| 3 | -- | STICKER DAMPER - SKIN COVER / DÉCALQUE AMORTISSEUR | 2 |
| 4 | 1178-08-0001 | CLN, M8-1.25, BP | 4 |



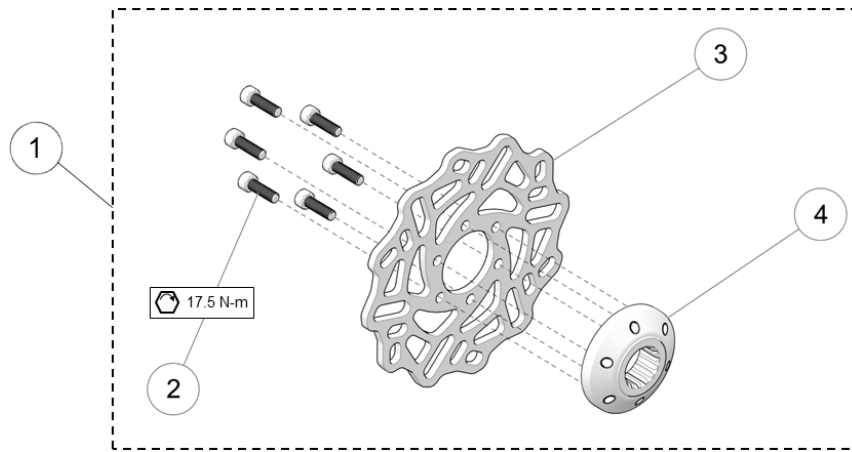
| ITEM | PART # | DESCRIPTION | QTY |
|---------------------------------------------------------|--------------|----------------------------------------------------------|-----|
| CAMSO DTS 129 MY2018 :: DRIVE SIDE BEARING ASS'Y | | | |
| 1 | 7090-00-9205 | S-KIT, BEARING DRIVE SIDE / ROULEMENT, CÔTÉ ENTRAÎNEMENT | 1 |
| 2 | 1033-10-2026 | HCSW, M10-1.5X25, 8.8, ZP, TL, DIN933 | 1 |
| 3 | 1046-08-0020 | CB, M8-1.25X20, 8.8, ZP | 3 |
| 4 | 1074-08-0001 | FNN, M8-1.25, 8, ZP, DIN6926 | 3 |
| 5 | -- | BEARING / ROULEMENT -- AS205-014 | 1 |
| 6 | -- | BEARING FLANGE / BRIDE DE SOUTIEN ROULEMENT -- PFT205 | 2 |



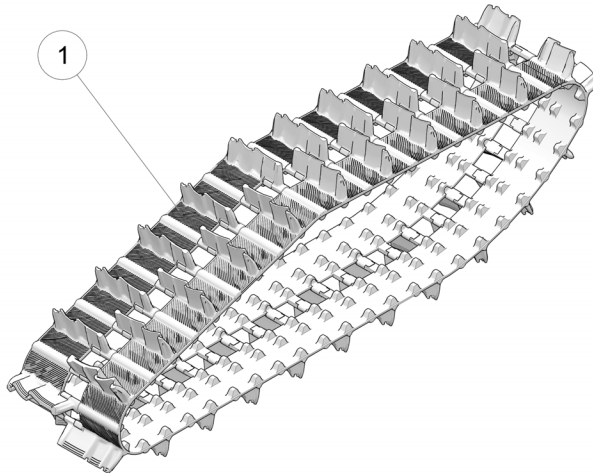
| ITEM | PART # | DESCRIPTION | QTY |
|----------------------------------------------------|--------------|-------------------------------------------------------------|-----|
| CAMSO DTS 129 MY2018 :: DRIVE AXLE ASSEMBLY | | | |
| 1 | 7000-00-9406 | S-KIT, DRIVE AXLE ASSY / ARBRE D'ENTRAÎNEMENT | 1 |
| 2 | 1009-00-9310 | SPROCKET, 7 TEETH / 2.86 PITCH / BARBOTIN 7 DENTS, PAS 2.86 | 2 |
| 3 | 1033-10-2026 | HCSW, M10-1.5X25, 8.8, ZP, TL, DIN933 | 2 |
| 4 | 1051-00-9020 | SPACER, AXLE SHAFT / ESPACEUR, ARBRE D'ENTRAÎNEMENT | 2 |
| 5 | -- | AXLE SHAFT / ARBRE D'ENTRAÎNEMENT | 1 |



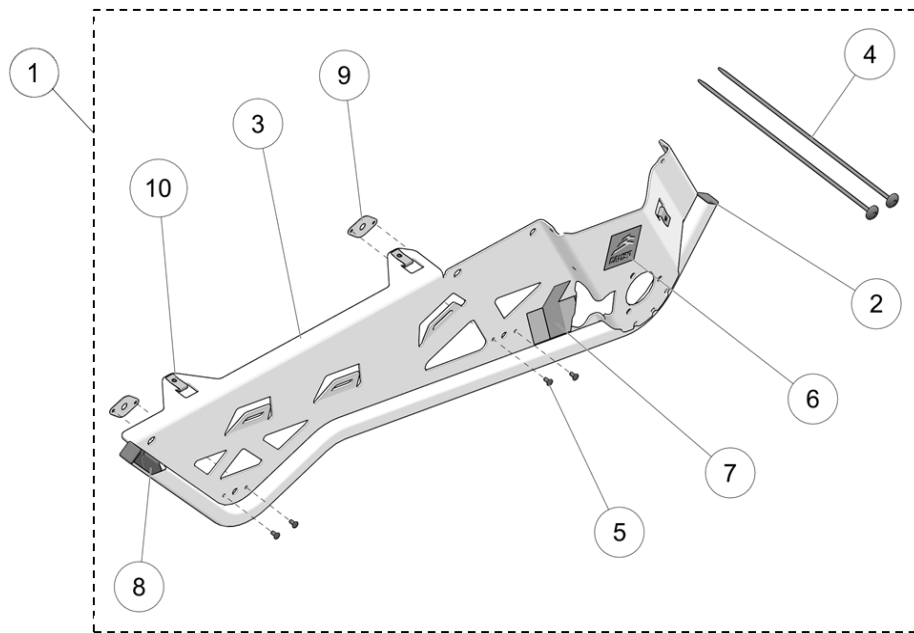
| ITEM | PART # | DESCRIPTION | QTY |
|---------------------------------------------------------|--------------|-------------------------------------------------------|-----|
| CAMSO DTS 129 MY2018 :: BRAKE SIDE BEARING ASS'Y | | | |
| 1 | 7086-00-9004 | S-KIT, BEARING BRAKE SIDE / ROULEMENT, CÔTÉ FREIN | 1 |
| 2 | 1033-10-2026 | HCSW, M10-1.5X25, 8.8, ZP, TL, DIN933 | 1 |
| 3 | 1036-08-0025 | HFSCS, M8-1.25X25, 8.8, ZP, DIN6921 | 3 |
| 4 | -- | BRAKE CARRIER / SUPPORT ÉTRIER FREIN | 1 |
| 5 | -- | BEARING / ROULEMENT -- AS205-014 | 1 |
| 6 | -- | BEARING FLANGE / BRIDE DE SOUTIEN ROULEMENT -- PFT205 | 1 |



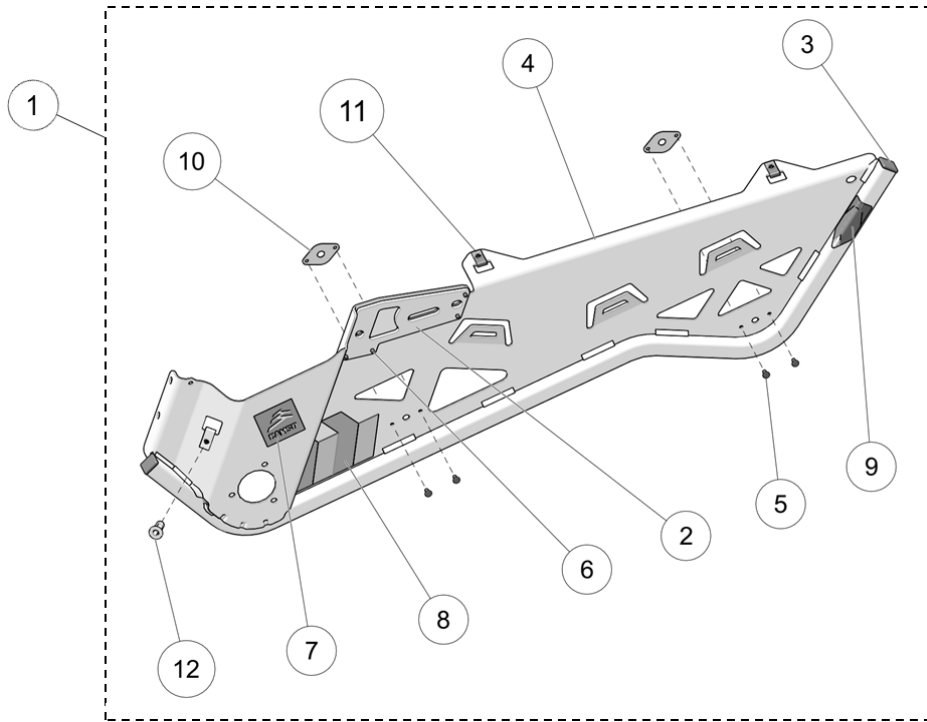
| ITEM | PART # | DESCRIPTION | QTY |
|--------------------------------------------------|--------------|------------------------------------------------|-----|
| CAMSO DTS 129 MY2018 :: BRAKE ROTOR ASS'Y | | | |
| 1 | 7086-00-9023 | S-KIT, BRAKE ROTOR ASSY / ENSEMBLE ROTOR FREIN | 1 |
| 2 | 1032-06-J020 | SHCS, M6-1X20, 12.9, ZN, DIN912 | 6 |
| 3 | -- | BRAKE ROTOR / DISQUE DE FREIN | 1 |
| 4 | -- | ROTOR HUB / MOYEU DE ROTOR | 1 |



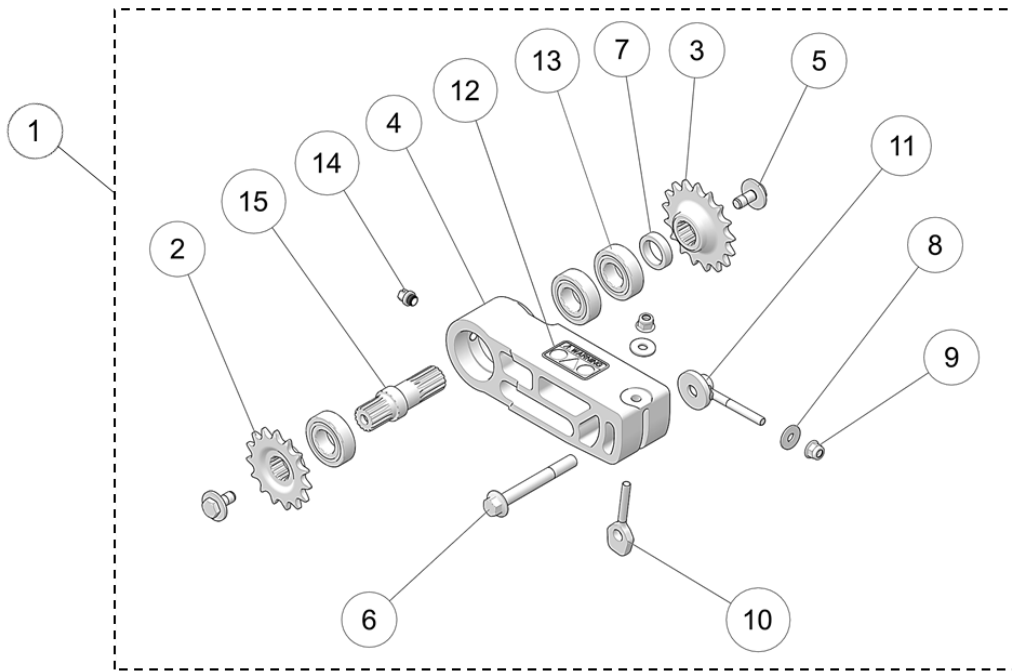
| ITEM | PART # | DESCRIPTION | QTY |
|--------------------------------------|--------------|------------------------------------------------------------------|-----|
| CAMSO DTS 129 MY2018 :: TRACK | | | |
| 1 | 1093-00-9339 | TRACK - SNOWBIKE 129" (9339S) / CHENILLE - SNOWBIKE 129" (9339S) | 1 |



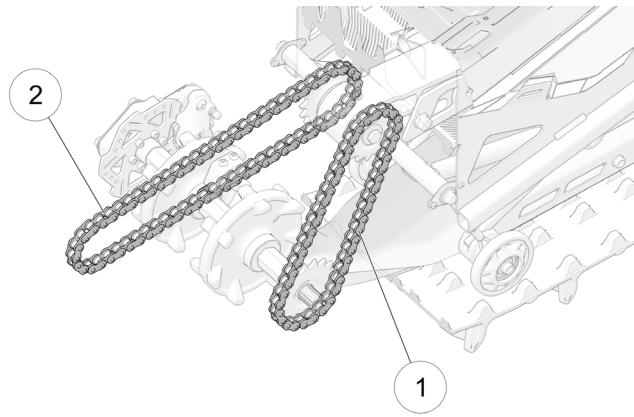
| ITEM | PART # | DESCRIPTION | QTY |
|-------------------------------------------------|--------------|------------------------------------------------------------|-----|
| CAMSO DTS 129 MY2018 :: RIGHT SIDE PANEL | | | |
| 1 | 7018-00-9025 | S-KIT, DTS SIDE PANEL - RH / PANNEAU LATÉRAL DROIT | 1 |
| 2 | 1017-00-9026 | SQUARE RIBBED PLUG / CAPUCHON TUBE CARRÉ | 2 |
| 3 | -- | SIDE PANEL, RH, ASS'Y / PANNEAU LATÉRAL DROIT ASSEMBLÉ | 1 |
| 4 | 1037-00-0003 | MOUNTABLE CABLE TIE / ATTACHE CÂBLE | 2 |
| 5 | 1066-B3-X010 | RF, SS, 3/16 X .38 | 4 |
| 6 | -- | STICKER, CAMSO LOGO / DÉCALQUE, LOGO CAMSO | 1 |
| 7 | -- | STICKER, SIDE PANEL, RH / DÉCALQUE, PANNEAU LATÉRAL, DR | 1 |
| 8 | -- | STICKER, SIDE PANEL TUBE / DÉCALQUE, PANNEAU LATÉRAL, TUBE | 1 |
| 9 | 1087-00-9016 | SUSPENSION ARM WEAR PLATE / SUSP., PLAQUE D'USURE | 2 |
| 10 | 1179-08-0001 | CLN,M8-1.25,BP | 3 |



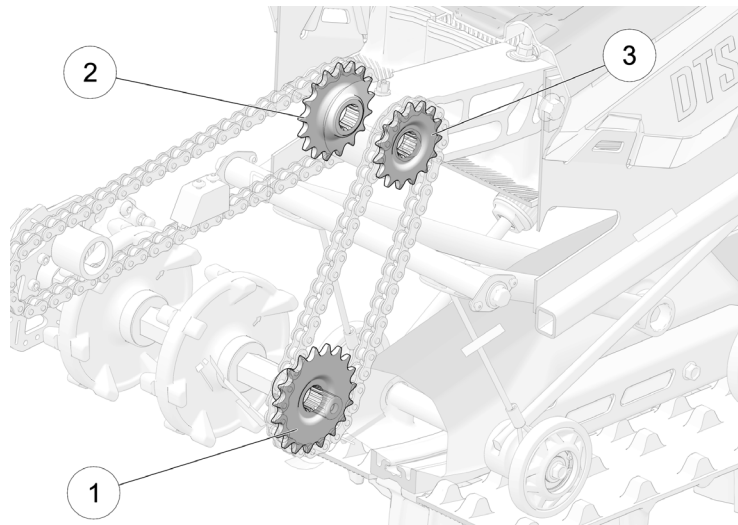
| ITEM | PART # | DESCRIPTION | QTY |
|------------------------------------------------|--------------|------------------------------------------------------------|-----|
| CAMSO DTS 129 MY2018 :: LEFT SIDE PANEL | | | |
| 1 | 7018-00-9015 | S-KIT, DTS SIDE PANEL - LH / PANNEAU LATÉRAL GAUCHE | 1 |
| 2 | -- | TENSIONER, PLATE / TENDEUR, PLAQUE | 1 |
| 3 | 1017-00-9026 | SQUARE RIBBED PLUG / CAPUCHON TUBE CARRÉ | 2 |
| 4 | -- | SIDE PANEL, LH, ASSY / PANNEAU LATÉRAL GAUCHE ASSEMBLÉ | 1 |
| 5 | 1066-B3-X010 | RF, SS, 3/16 X .38 | 4 |
| 6 | 1066-B3-X016 | RF, SS, 3/16 X .63 | 4 |
| 7 | -- | STICKER, CAMSO LOGO / DÉCALQUE, LOGO CAMSO | 1 |
| 8 | -- | STICKER, SIDE PANEL, LH / DÉCALQUE, PANNEAU LATÉRAL, GA | 1 |
| 9 | -- | STICKER, SIDE PANEL TUBE / DÉCALQUE, PANNEAU LATÉRAL, TUBE | 1 |
| 10 | 1087-00-9016 | SUSPENSION ARM WEAR PLATE / SUSP., PLAQUE D'USURE | 2 |
| 11 | 1179-08-0001 | CLN, M8-1.25, BP | 3 |
| 12 | 1278-08-X029 | RN, M8-1.25, 0.5-7.1, ZP | 1 |



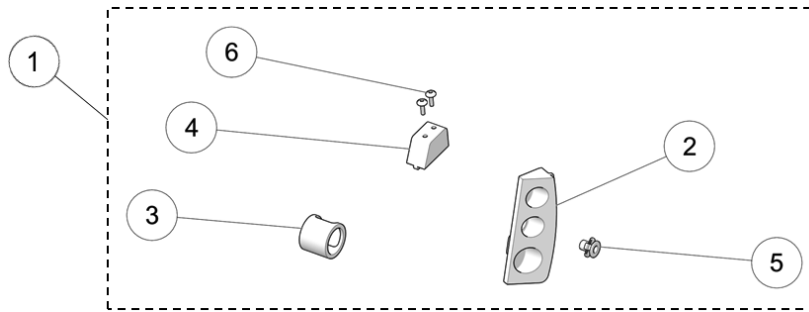
| ITEM | PART # | DESCRIPTION | QTY |
|------|--------------|---------------------------------------------------------|-----|
| | | CAMSO DTS 129 MY2018 :: CHAIN TENSIONER ASS'Y | |
| 1 | 7014-00-9180 | S-KIT, DTS CHAIN TENSIONER / TENDEUR CHAÎNE DTS | 1 |
| 2 | 1009-00-9015 | SPROCKET, 520, 15 TEETH / BARBOTIN, 520, 15 DENTS | 1 |
| 3 | 1009-00-9017 | SPROCKET, 520, 17 TEETH / BARBOTIN, 520, 17 DENTS | 1 |
| 4 | -- | TENSIONER, CHAIN / TENDEUR DE CHAÎNE | 1 |
| 5 | 1033-10-2026 | HCSW, M10-1.5X25, 8.8, ZP, TL, DIN933 | 2 |
| 6 | 1035-12-1100 | HFCS, M12-1.75X100, 10.9, ZP, DIN6921 | 1 |
| 7 | 1051-00-9008 | SPACER / ESPACEUR | 1 |
| 8 | 1060-08-0001 | W, 24X8.4X2, ZP, DIN9021 | 2 |
| 9 | 1074-08-0001 | FNN, M8-1.25, 8, ZP, DIN6926 | 2 |
| 10 | 1082-00-9083 | VERT. CHAIN ADJUSTER PLATE / PLAQUE AJUST. CHAÎNE VERT. | 1 |
| 11 | 1082-00-9110 | TENSIONER, CHAIN / TENDEUR CHAÎNE | 1 |
| 12 | -- | STICKER WARNING / AUTOCOLLANT AVERTISSEMENT | 1 |
| 13 | 1090-00-0003 | BEARING 6205 / ROULEMENT À BILLES 6205 | 3 |
| 14 | 1433-10-0001 | HHP, M10-1 | 1 |
| 15 | 4000-00-9098 | SHAFT / ARBRE | 1 |



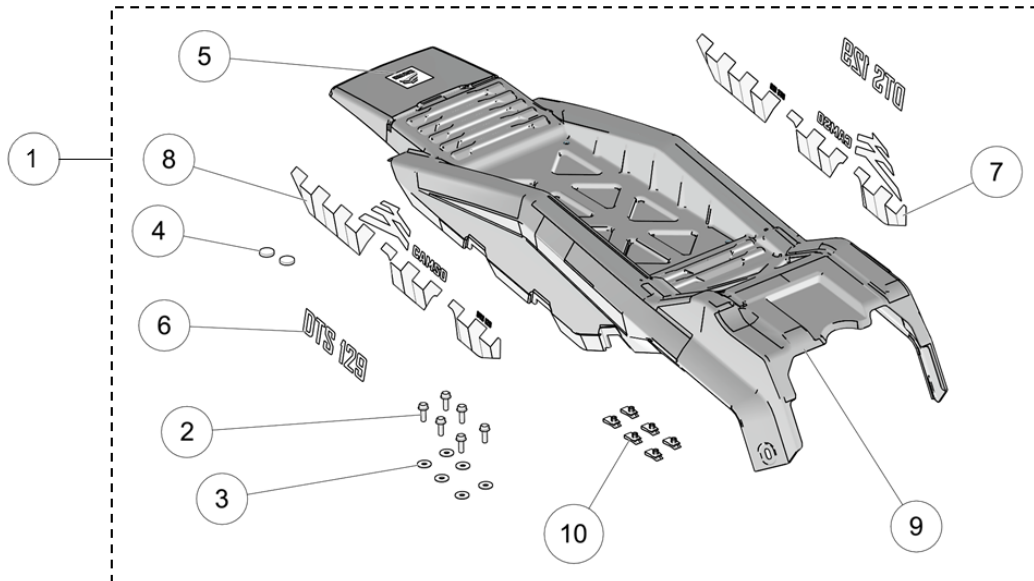
| ITEM | PART # | DESCRIPTION | QTY |
|---------------------------------------|--------------|---------------------------------------------------------------|-----|
| CAMSO DTS 129 MY2018 :: CHAINS | | | |
| 1 | 1095-00-9048 | CHAIN, ASS'Y, O-RING - 520X48 / CHAÎNE, ASS., O-RING - 520X48 | 1 |
| 2 | 1095-00-9064 | CHAIN, ASS'Y, O-RING - 520X64 / CHAÎNE, ASS., O-RING - 520X64 | 1 |



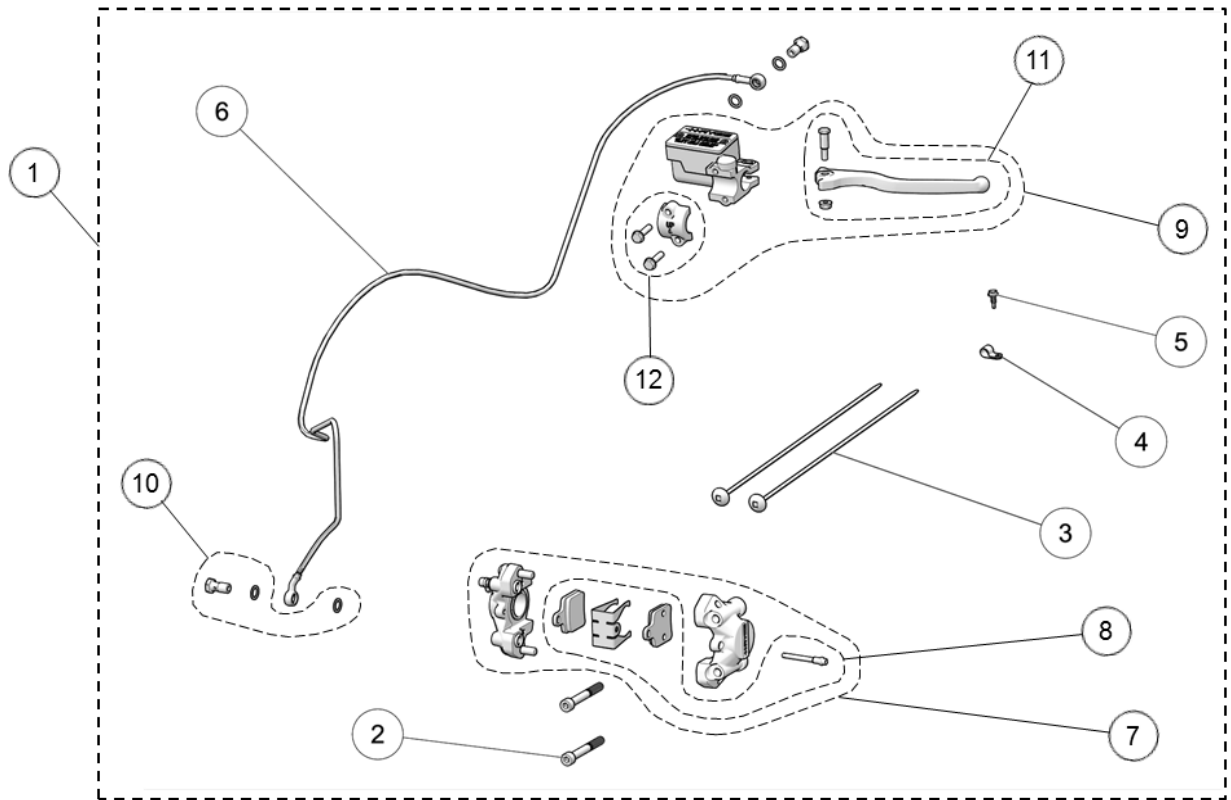
| ITEM | PART # | DESCRIPTION | QTY |
|------------------------------------------------|--------------|---------------------------------------------------|-----|
| CAMSO DTS 129 MY2018 :: CHAIN SPROCKETS | | | |
| 1 | 1009-00-9019 | SPROCKET, 520, 19 TEETH / BARBOTIN, 520, 19 DENTS | 1 |
| 2 | 1009-00-9017 | SPROCKET, 520, 17 TEETH / BARBOTIN, 520, 17 DENTS | 1 |
| 3 | 1009-00-9015 | SPROCKET, 520, 15 TEETH / BARBOTIN, 520, 15 DENTS | 1 |



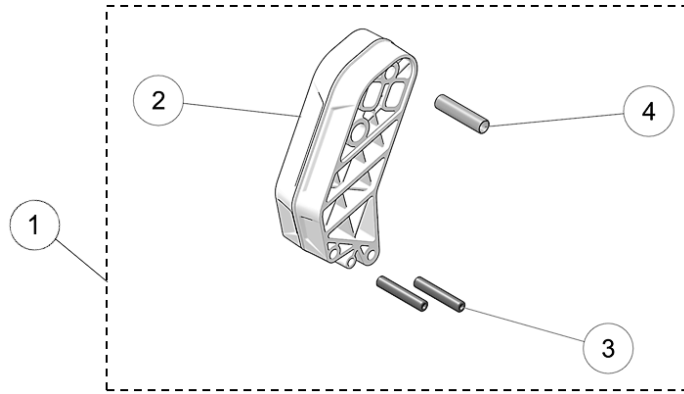
| ITEM | PART # | DESCRIPTION | QTY |
|------------------------------------------------|--------------|--------------------------------------------|-----|
| CAMSO DTS 129 MY2018 :: CHAIN GUIDE KIT | | | |
| 1 | 7085-00-9061 | S-KIT, CHAIN GUIDE SET / ENS. GUIDE CHAÎNE | 1 |
| 2 | | CHAIN GUIDE / GUIDE DE CHAÎNE | 1 |
| 3 | -- | SLEEVE, NYLON / DOUILLE, NYLON | 1 |
| 4 | -- | BLOCK, CHAIN GUIDE / BLOC, GUIDE DE CHAÎNE | 1 |
| 5 | 1278-08-X029 | RN, M8-1.25, 0.5-7.1, ZP | 1 |
| 6 | 1430-06-X016 | RWHS, 6X16, TX, ZP | 2 |



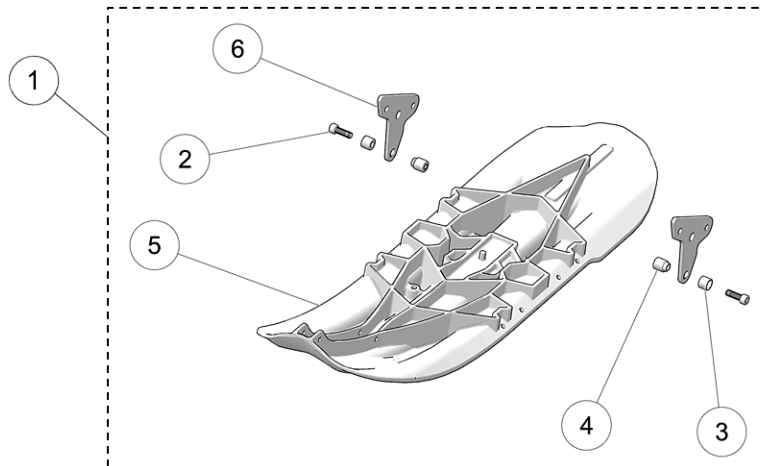
| ITEM | PART # | DESCRIPTION | QTY |
|-------------------------------------------|--------------|----------------------------------------------------|-----|
| CAMSO DTS 129 MY2018 :: SKIN COVER | | | |
| 1 | 7087-00-9009 | S-KIT, SKIN COVER DTS / COUVRE TUNNEL DTS | 1 |
| 2 | 1036-08-0025 | HFSCS, M8-1.25X25, 8.8, ZP, DIN6921 | 6 |
| 3 | 1060-08-0001 | W, 24X8.4X2, ZP, DIN9021 | 6 |
| 4 | -- | STICKER DAMPER - SKIN COVER / DÉCALQUE AMORTISSEUR | 2 |
| 5 | -- | STICKER, CAMSO LOGO / DÉCALQUE LOGO CAMSO | 1 |
| 6 | -- | STICKER, DTS 129 / DÉCALQUE DTS 129 | 2 |
| 7 | -- | STICKER SKIN, LH / COLLANT CAPOT, GA | 1 |
| 8 | -- | STICKER SKIN, RH / COLLANT CAPOT, DR | 1 |
| 9 | -- | SKIN COVER / COUVRE TUNNEL | 1 |
| 10 | 1179-08-0001 | CLN, M8-1.25, BP | 6 |



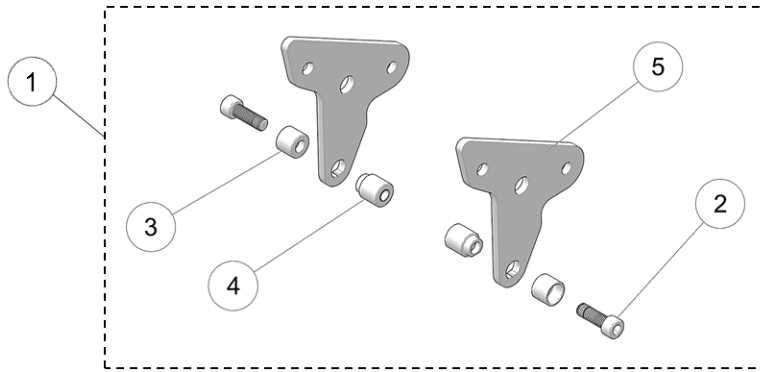
| ITEM | PART # | DESCRIPTION | QTY |
|---------------------------------------------|--------------|-----------------------------------------------------------|-----|
| CAMSO DTS 129 MY2018 :: BRAKE SYSTEM | | | |
| 1 | 7086-00-9070 | S-KIT, BRAKE SYSTEM DTS / S-KIT, SYSTÈME FREIN DTS | 1 |
| 2 | 1032-08-J065 | HSCS, M8-1.25X65, 12.9, ZN, DIN912 | 2 |
| 3 | 1037-00-0003 | MOUNTABLE CABLE TIE / ATTACHE CÂBLE | 2 |
| 4 | 1037-00-0037 | LOOP CLAMP / BRIDE DE FIXATION | 1 |
| 5 | 1249-E1-X016 | SDHWS, #10-16X5/8, ZP | 1 |
| 6 | 1086-00-9190 | BRAKE LINE ASS'Y, 1847 MM / CONDUITE FREIN ASS., 1847 MM | 1 |
| 7 | 7086-00-9010 | S-KIT, BRAKE CALIPER / S-KIT, ÉTRIER DE FREIN | 1 |
| 8 | 7086-00-9011 | S-KIT, BREAK PADS / S-KIT, PLAQUETTES DE FREIN | 1 |
| 9 | 7086-00-9012 | S-KIT, MASTER CYLINDER - RH / S-KIT, MAÎTRE CYLINDRE, DR | 1 |
| 10 | 7086-00-9013 | S-KIT, BRAKE LINE FASTENERS / QUINCAILLERIE SYSTÈME FREIN | 2 |
| 11 | 7086-00-9014 | S-KIT, BRAKE LEVER / LEVIER DE FREIN | 1 |
| 12 | 7086-00-9015 | S-KIT, MASTER CYLINDER, CLAMP/ SYSTÈME FREIN, BRIDE | 1 |



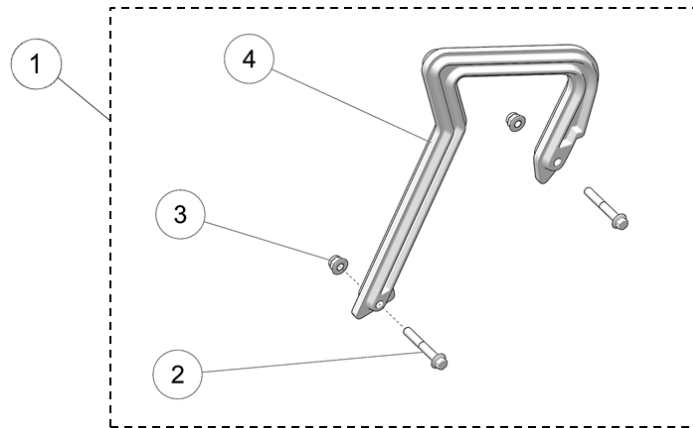
| ITEM | PART # | DESCRIPTION | QTY |
|----------------------------------------|--------------|-----------------------------------------------|-----|
| CAMSO DTS 129 MY2018 :: UPRIGHT | | | |
| 1 | 7085-00-9150 | S-KIT, UPRIGHT ASSY / S-KIT, SUPPORT ASSEMBLÉ | 1 |
| 2 | -- | SKI, UPRIGHT - WHITE / SKI, SUPPORT - BLANC | 1 |
| 3 | -- | SKI, UPRIGHT ROD / SKI, ARBRE SUPPORT | 2 |
| 4 | -- | SKI, UPRIGHT TUBE / SKI, TUBE SUPPORT | 1 |



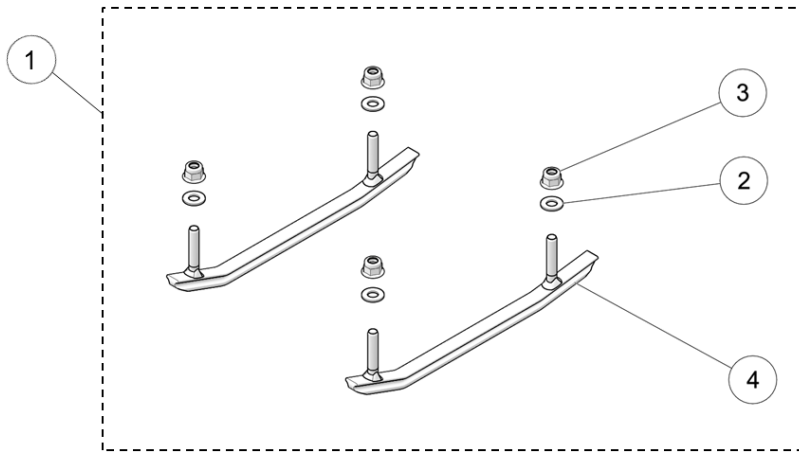
| ITEM | PART # | DESCRIPTION | QTY |
|------------------------------------|--------------|-----------------------------------------|-----|
| CAMSO DTS 129 MY2018 :: SKI | | | |
| 1 | 7085-00-9007 | S-KIT, SKI | 1 |
| 2 | 1032-10-H030 | HSCS, M10-1.5X30, 12.9, ZP, TL, DIN 912 | 2 |
| 3 | -- | SKI, PIVOT | 2 |
| 4 | -- | SKI, PIVOT THREADED / SKI, PIVOT FILETÉ | 2 |
| 5 | -- | SKI - WHITE / SKI - BLANC | 1 |
| 6 | -- | SKI, BRACKET / SKI, ANCRAGE | 2 |



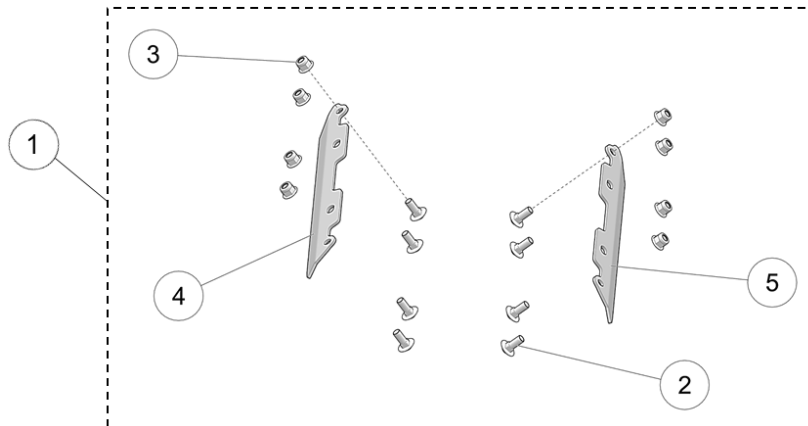
| ITEM | PART # | DESCRIPTION | QTY |
|------------------------------------------------|--------------|-----------------------------------------------------------|-----|
| CAMSO DTS 129 MY2018 :: PIVOT PLATE SET | | | |
| 1 | 7085-00-9040 | S-KIT, SKI PIVOT PLATE SET / S-KIT, ENS. PLAQUE PIVOT SKI | 1 |
| 2 | 1032-10-H030 | HSCS, M10-1.5X30, 12.9, ZP, TL, DIN 912 | 2 |
| 3 | -- | SKI, PIVOT | 2 |
| 4 | -- | SKI, PIVOT THREADED / SKI, PIVOT FILETÉ | 2 |
| 5 | -- | SKI, BRACKET / SKI, ANCRAGE | 2 |



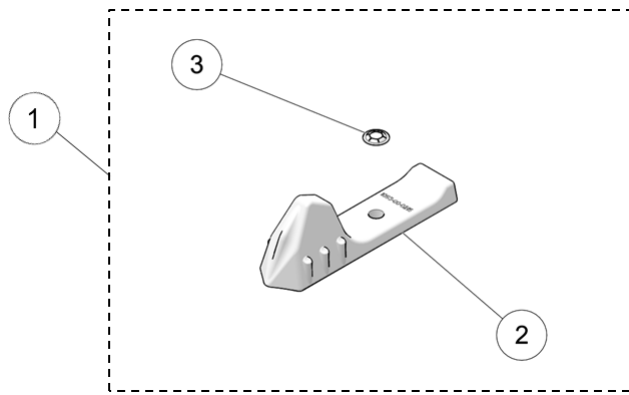
| ITEM | PART # | DESCRIPTION | QTY |
|-------------------------------------------|--------------|------------------------------------------------|-----|
| CAMSO DTS 129 MY2018 :: SKI HANDLE | | | |
| 1 | 7085-00-9011 | S-KIT, SKI HANDLE DTS / S-KIT, POIGNÉE SKI DTS | 1 |
| 2 | 1035-08-C050 | HFCS, M8-1.25X50, 10.9, ZP, IFI536 | 2 |
| 3 | 1074-08-0001 | FNN,M8-1.25,8,ZP,DIN6926 | 2 |
| 4 | -- | SKI, HANDLE / SKI, POIGNÉE | 1 |



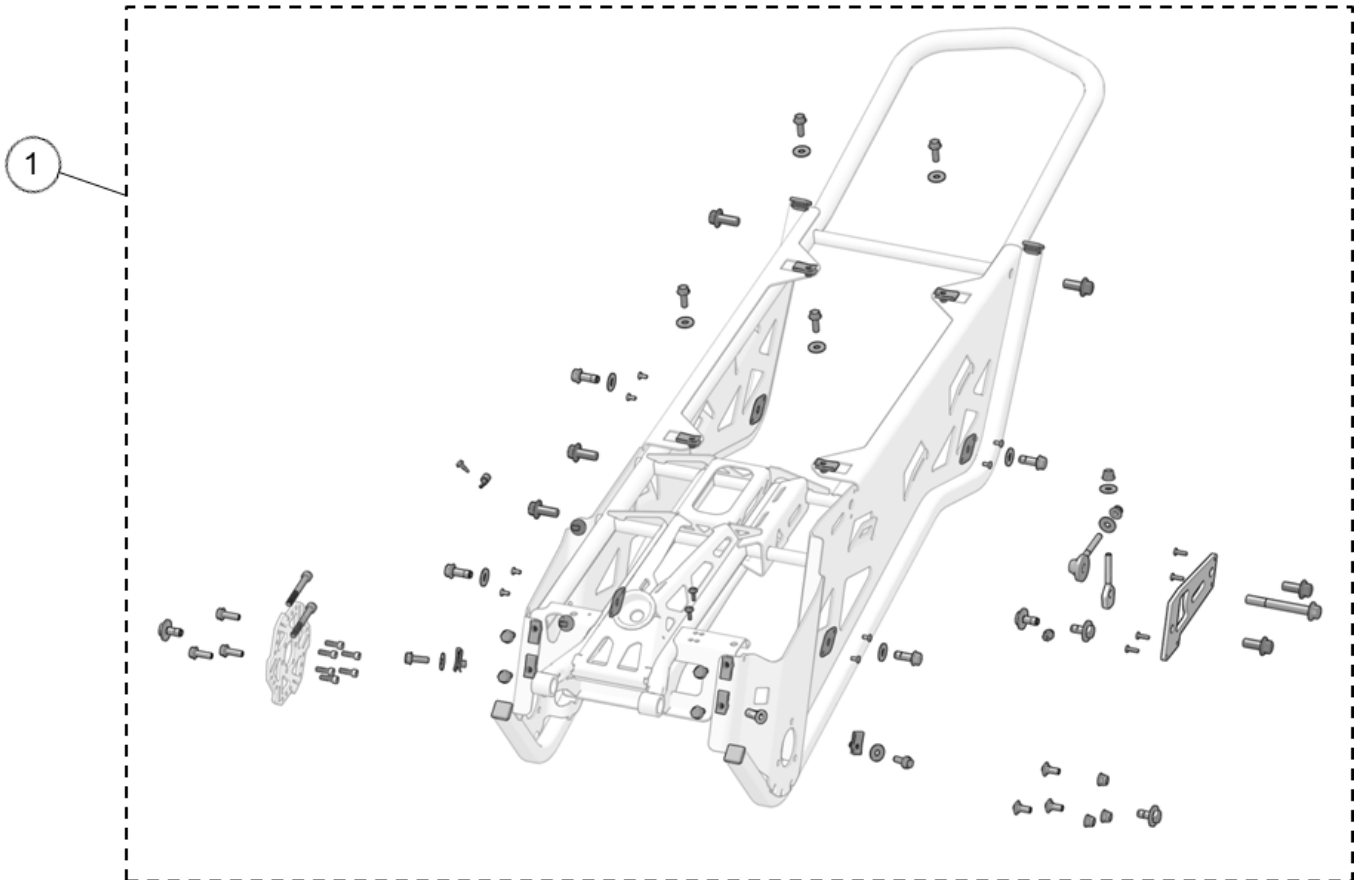
| ITEM | PART # | DESCRIPTION | QTY |
|---------------------------------------------------|--------------|--------------------------------------------------|-----|
| CAMSO DTS 129 MY2018 :: CARBIDE RUNNER SET | | | |
| 1 | 7088-00-9055 | S-KIT, SKI CARBIDE SET / S-KIT, ENS. CARBURE SKI | 1 |
| 2 | 1060-00-0001 | W, 11/16X11/32X0.060, 8, ZP, SAE | 4 |
| 3 | 1074-08-0001 | FNN, M8-1.25, 8, ZP, DIN6926 | 4 |
| 4 | -- | SKI RUNNER / LISSE SKI | 2 |



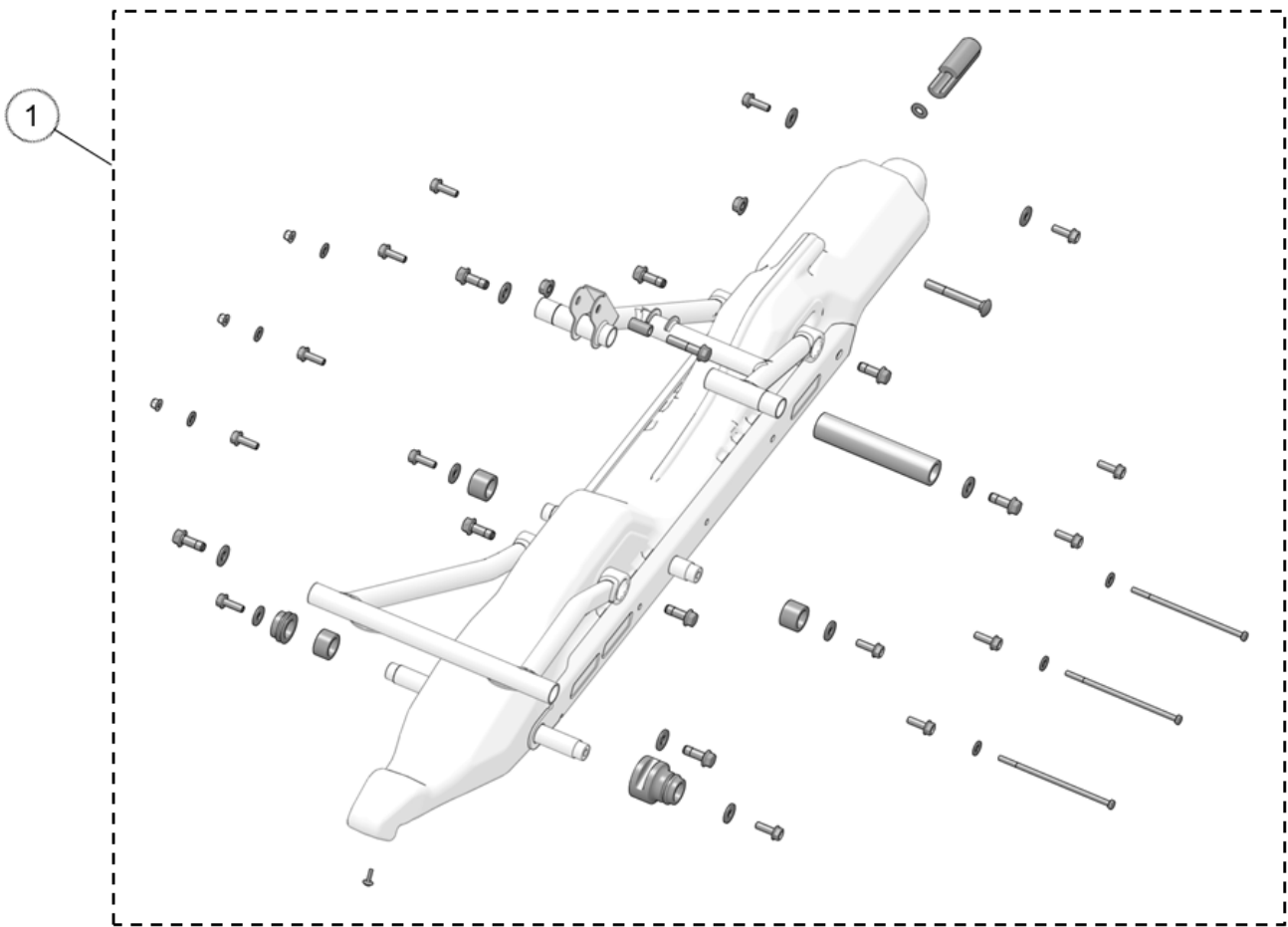
| ITEM | PART # | DESCRIPTION | QTY |
|------------------------------------------------|--------------|-------------------------------------------------------------|-----|
| CAMSO DTS 129 MY2018 :: SIDE RUNNER SET | | | |
| 1 | 7088-00-9029 | S-KIT, SKI SIDE RUNNER SET / S-KIT, ENS. LISSE LATÉRALE SKI | 1 |
| 2 | 1038-08-K020 | HSFBS, M8-1.25X20, SS, 18-8 | 8 |
| 3 | 1074-08-0001 | FNN, M8-1.25, 8, ZP, DIN6926 | 8 |
| 4 | -- | SKI, SIDE PLATE - LH / SKI, PLAQUE LATÉRALE - GA | 1 |
| 5 | -- | SKI, SIDE PLATE - RH / SKI, PLAQUE LATÉRALE - DR | 1 |



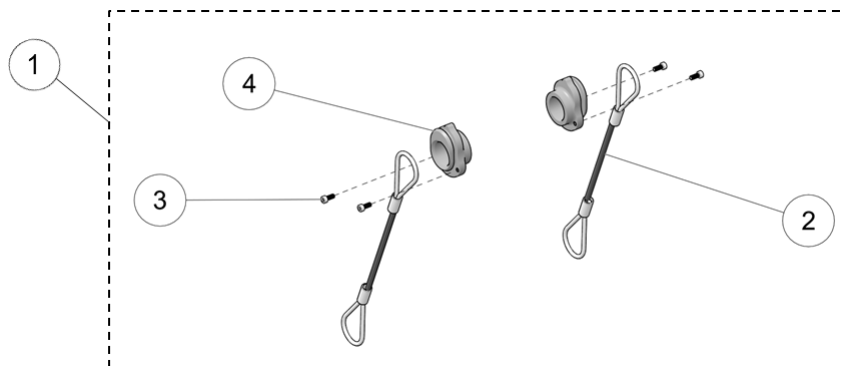
| ITEM | PART # | DESCRIPTION | QTY |
|--------------------------------------------------|--------------|-------------------------------------------|-----|
| CAMSO DTS 129 MY2018 :: SKI RUBBER DAMPER | | | |
| 1 | 7093-00-0215 | S-KIT, SKI RUBBER / S-KIT, CAOUTCHOUC SKI | 1 |
| 2 | -- | SKI, DAMPER / SKI, AMORTISSEUR | 1 |
| 3 | 1096-00-0001 | PN, 20X10X2, 2 | 1 |



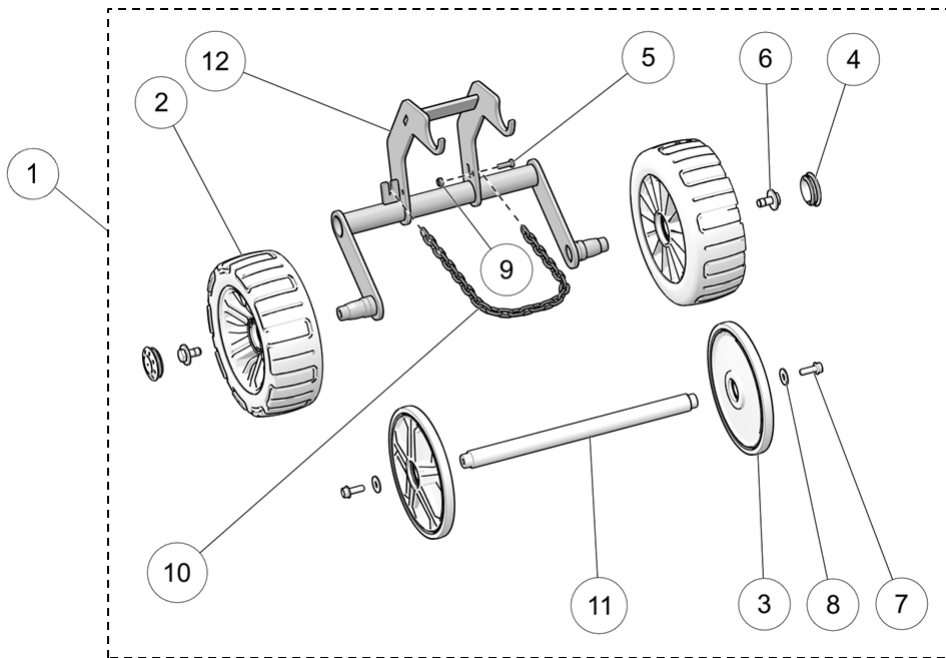
| ITEM | PART # | DESCRIPTION | QTY |
|------------------------------------------------|--------------|------------------------------------------------------|-----|
| CAMSO DTS 129 MY2018 :: FRAME FASTENERS | | | |
| 1 | 7000-00-9001 | S-KIT, FASTENERS, DTS FRAME / BOULONNERIE, DTS FRAME | 1 |



| ITEM | PART # | DESCRIPTION | QTY |
|-----------------------------------------------------|--------------|-------------------------------------------------|-----|
| CAMSO DTS 129 MY2018 :: SUSPENSION FASTENERS | | | |
| 1 | 7000-00-9003 | S-KIT, FASTENERS / BOULONNERIE - DTS SUSPENSION | 1 |



| ITEM | PART # | DESCRIPTION | QTY |
|---------------------------------------------------------|--------------|----------------------------------------------------------------|-----|
| CAMSO DTS 129 MY2018 :: SUSPENSION LIMITER CABLE | | | |
| 1 | 7003-00-9002 | S-KIT, SUSPENSION LIMITER CABLE / S-KIT, CÂBLE LIMITEUR, SUSP. | 1 |
| 2 | -- | CABLE / CÂBLE | 2 |
| 3 | 1032-04-J010 | SHCS, M4-0.7X10, 12.9, ZP, DIN912 | 4 |
| 4 | -- | CABLE SLEEVE / MANCHON DE CÂBLE | 2 |



| ITEM | PART # | DESCRIPTION | QTY |
|------|--------------|--------------------------------------------------------------------|-----|
| | | CAMSO DTS 129 MY2018 :: WHEEL KIT | |
| 1 | 7200-00-9050 | SKI, WHEEL KIT / ENSEMBLE DE ROUE, SKI | 1 |
| 2 | 1016-00-2260 | WHEEL (4.10/3.50-6) BLACK - ASS'Y / ROUE (4.10/3.50-6) NOIR - ASS. | 2 |
| 3 | 1016-00-9200 | WHEEL, 200 MM / ROUE, 200 MM | 2 |
| 4 | 1017-00-0042 | WHEEL CAP / CAPUCHON DE ROUE | 2 |
| 5 | 1033-06-0020 | BOLT / BOULON - HCS, M6-1X20, 8.8, ZP, DIN933 | 1 |
| 6 | 1033-10-2026 | BOLT / BOULON - HCSW, M10-1.5X25, 8.8, ZP, TL, DIN933 | 2 |
| 7 | 1036-08-0025 | BOLT / BOULON - HFSCS, M8-1.25X25, 8.8, ZP, DIN6921 | 2 |
| 8 | 1060-08-0001 | WASHER / RONDELLE - W, 24X8.4X2, ZP, DIN9021 | 2 |
| 9 | 1071-06-0001 | NYLON NUT / ÉCROU NYLON - NN, M6-1, ZP, DIN982 | 1 |
| 10 | -- | RETAINING CHAIN / CHAÎNE DE RETENUE | 1 |
| 11 | -- | REAR SHAFT / ARBRE ARRIÈRE | 1 |
| 12 | -- | WHEEL KIT WELDMENT / ENSEMBLE ROUE SOUDAGE | 1 |